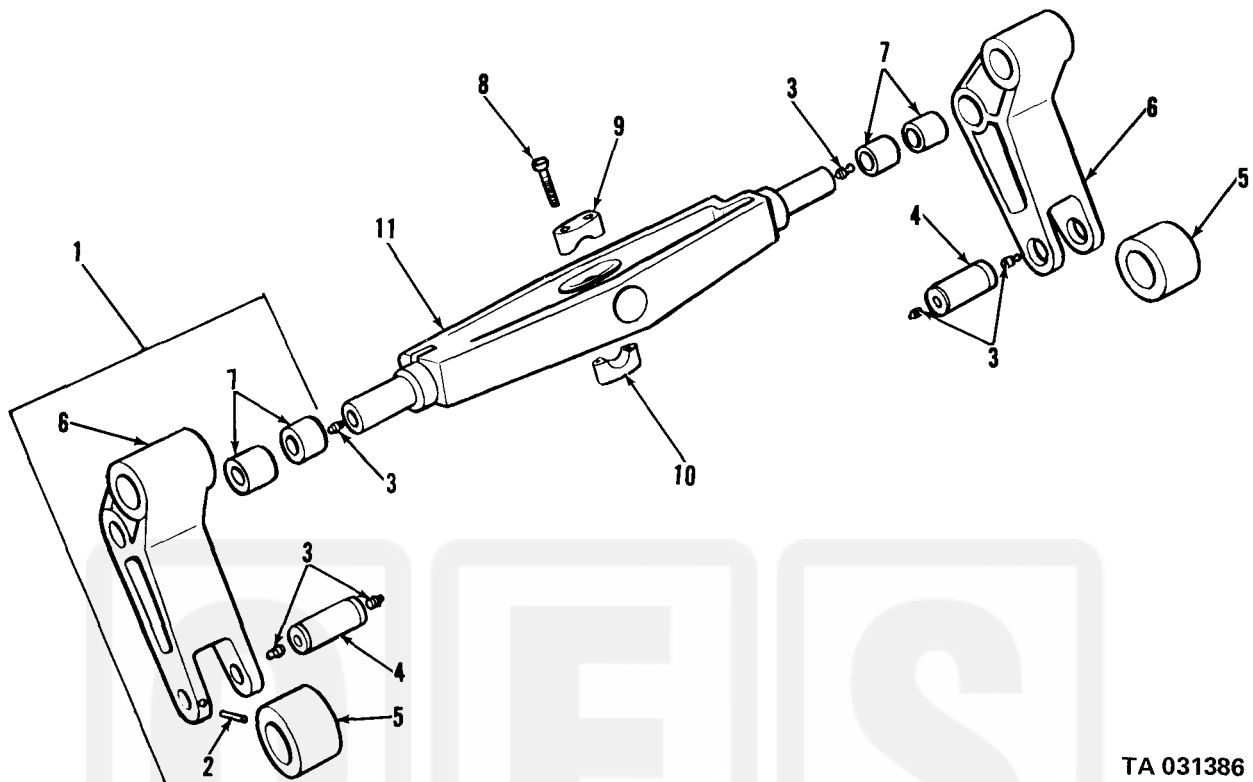


Current part is item (1) on diagram. Available at www.oshkoshequipment.com

(1)	(2)	(3)	(4)	(5)	(6)	(7)	(8)
ILLUS.							QTY
(a)	(b)	SMR	NATIONAL	PART	DESCRIPTION	U/M	INC
FIG.	ITEM	CODE	STOCK	NUMBER	FSCM		IN
NO.	NO.		NUMBER		USABLE ON CODE		UNIT
					2001-HOIST,CAPSTAN,WINDLASS,CRANE OR WINCH ASSEMBLY(CONT'D)		
289	10	PAOZZ	2520-00-710-1350	7538744	19207		
					YOKE:SLEEVE,POWER TAKE-OFF, UNIVERSAL JOINT(M342,M342A2)	EA	1
289		PAOZZ	2520-00-999-6472	5703483	19207		
					PARTS KIT,UNIVERSAL JOINT: DUMP BODY HOIST PROPELLER SHAFT UNIVERSAL JOINT(M342,M342A2)	EA	1
289	3				RING(M342,M342A2)	EA	4
289	6				BEARING(M342,M342A2)	EA	4
289	7				FITTING(342,M342A2)	EA	1
289	8				CROSS(M342,M342A2)	EA	1
290	1	PAFFF	2520-00-740-9040	7409040	19207		
					ARM,ROLLER CROSSHEAD:W/BEARINGS AND ROLLERS(M47,M59)	EA	2
290	2	PAFZZ	5315-00-014-2976	142976	21450		
					PIN,GROOVED,HEADLESS (M47,M59)	EA	2
290	3	PAFZZ	4730-00-050-4208	MS15003-1	96906		
					FITTING,LUBRICATION:DUMP BODY HYDRAULIC HOIST CROSSHEAD LUB.(2)ROLLER ARM PIN(4)(M47,M59)	EA	6
290	4	PAFZZ	5315-00-740-9020	7409020	19207		
					PIN,GROOVED HEADLESS: HYDRAULIC HOIST CROSSHEAD ROLLER ARM,DUMP BODY(M47,M59)	EA	2
290	5	XA		7409042	19207		
					ROLLER(M47,M59)	EA	2
290	6	XA		7409041	19207		
					ARM(M47,M59)	EA	2
290	7	PAFZZ	3120-00-740-9299	7409299	19207		
					BEARING,SLEEVE:DUMP BODY HYDRAULIC HOIST CROSSHEAD ROLLER ARM(M47,M59)	EA	4
290	8	PAFZZ	5306-00-022-1957	221957	21450		
					BOLT,SELF-LOCKING(M47,M59)	EA	1
290	9	XBFZZ		7409037	19207		
					RETAINER(M47,M59)	EA	1
290	10	XBFZZ		7409038	19207		
					RETAINER(M47,M59)	EA	1
290	11	PAFZZ	2520-00-740-9036	7409036	19207		
					HEAD:CROSS(M47,M59)	EA	1
291	1	PAFFF	2520-00-740-9040	7409040	19207		
					ARM,ROLLER,CROSSHEAD: W/BEARINGS AND ROLLERS (M342,M342A2)	EA	2
291	2	PAFZZ	5315-00-014-2976	142976	21450		
					PIN,GROOVED,HEADLESS (M342,M342A2)	EA	2
291	3	PAFZZ	4730-00-050-4208	MS15003-1	96906		
					FITTING,LUBRICATION: DUMP BODY HYDRAULIC HOIST CROSSHEAD LUB(2)ROLLER ARM PIN(4)(M342,M342A2)	EA	6
291	4	PAFZZ	5315-00-740-9020	7409020	19207		
					PIN,GROOVE HEADLESS: HYDRAULIC HOIST CROSSHEAD ROLLER ARM, DUMP BODY (M342,M342A2)	EA	2

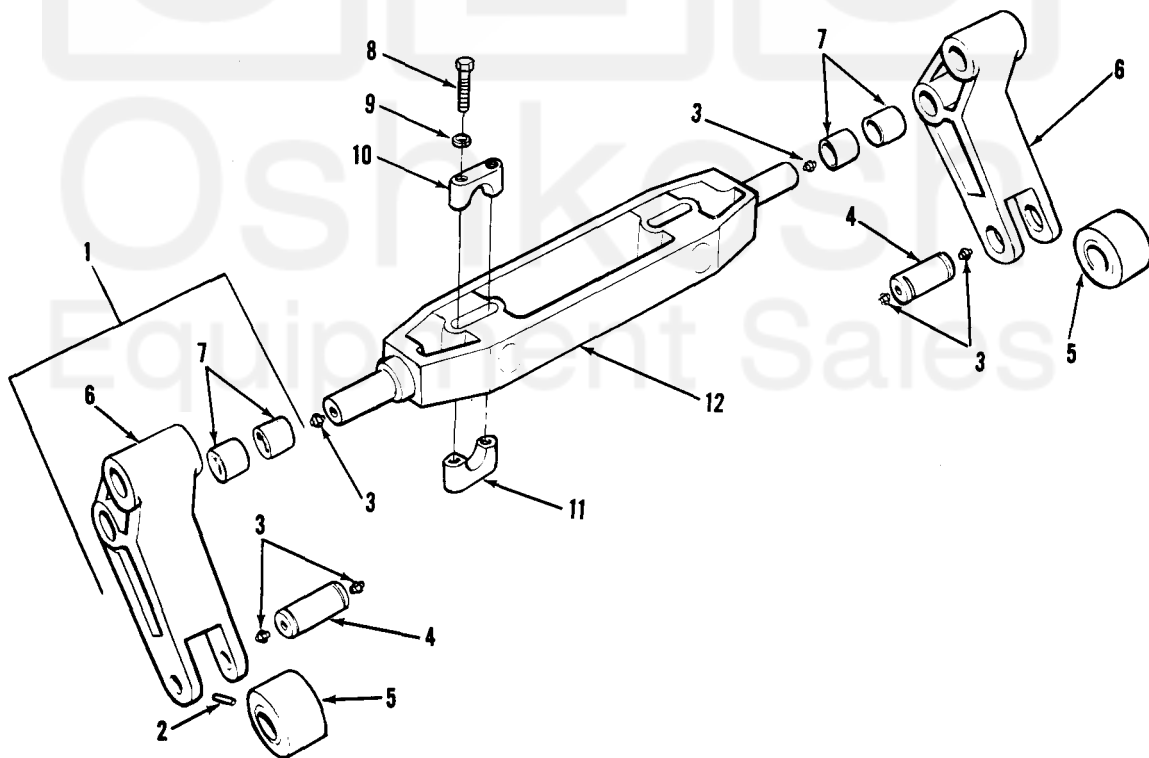
Current part is item (1) on diagram. Available at www.oshkoshequipment.com

Current part is item (1) on diagram. Available at www.oshkoshequipment.com



TA 031386

Figure 290. Hydraulic hoist crosshead and rollers (M47, M59).



TA 031387

Figure 291. Hydraulic hoist crosshead and rollers (M342, M342A2).

Current part is item (1) on diagram. Available at www.oshkoshequipment.com