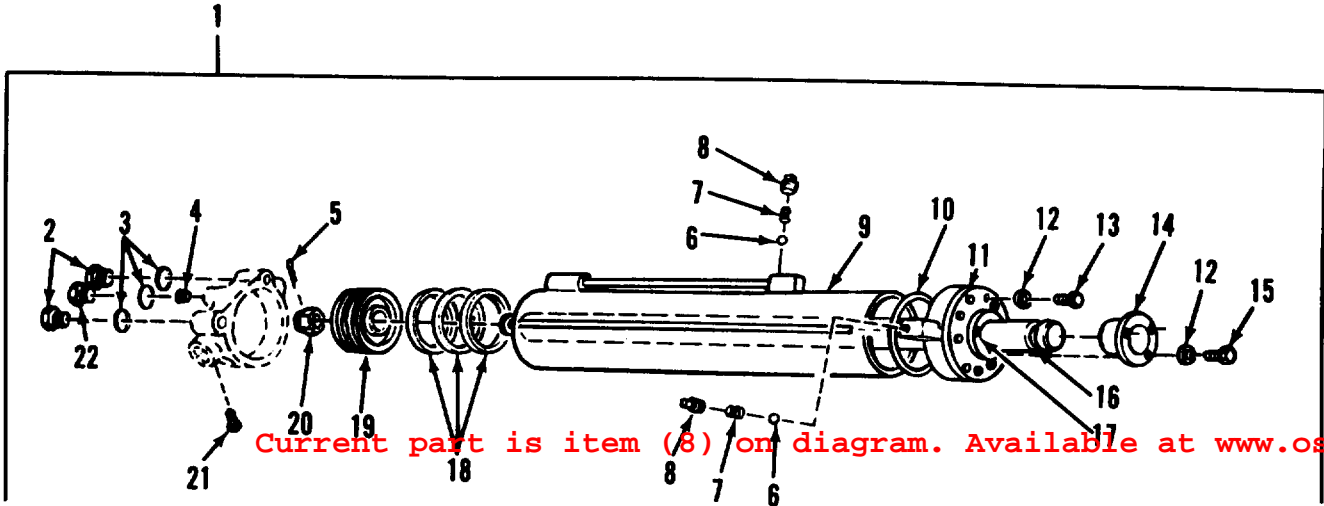


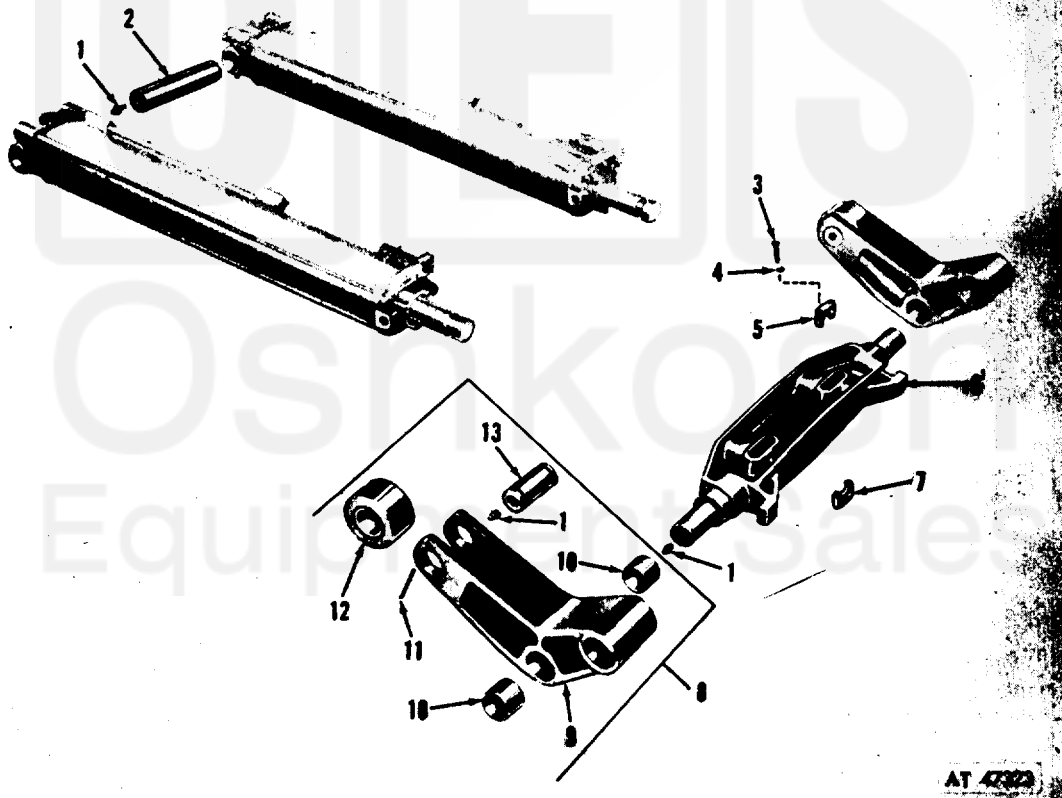
Current part is item (8) on diagram. Available at www.oshkoshequipment.com

(1) SMR Code	(2) Federal Stock Number	(3) DESCRIPTION	(4) meas	(5) in	(6) of inc. allowance	(7) allowance	(8) per 100 equip	(9) alw	(10) maint	(11) per 100 equip	(12) alw	(13) Figure	(14) Item No.
Reference Number & Mfr. Code			Usable On Code			(a)	(b)	(c)	(a)	(b)	(c)		
			1-20	21-5	51-10	1-20	21-5	51-10	(a)	(b)	(c)		
2001-HOIST, WINCH, CRANE ASSEMBLY-CONTINUED													
X2-F		RETAINER, LOWER: CYLINDER ROD 7409038 (19207)	AK	EA	2	*	*	*	*	*	*	228	7
P-F	2520-740-90	ARM, ROLLER, ASSEMBLY: 7409040 (19207)	AK	EA	2	*	*	*	*	*	*	3	5
P-F	2520-740-90	ARM, ROLLER, CROSSHEAD: 7409041 (19207)		EA	2	*	*	*	*	*	*	3	5
P-F	3120-740-92	BEARING, SLEEVE: 7409299 (19207)		EA	4	*	*	*	*	*	*	6	10
X1		PIN, BROOVED, HEADLESS: ROLLER ARM MS35671-51 (96906)			4							228	11
P-F	2520-740-90	ROLLER, CROSS HEAD: 7409042 (19207)		EA	2	*	*	*	*	*	*	3	5
P-F	5315-740-90	PIN, GROOVED, HEADLESS: ROLLER ARM 7409020 (19207)		EA	2	*	*	*	*	*	*	8	10
P-F-R	2540-740-90	ADAPTER, CONTROL VALVE: WITH SPRING AND PLUNGER 7409075 (19207)	AK	EA	1	*	*	*	*	*	*	6	10
P-F	4730-740-90	PLUG, MACHINE THREAD: END 2297564 (24617)		EA	1	*	*	*	*	*	*	4	8
P-F	2590-291-97	PACKING, PREFORMED: ADAPTER CONTROL VALVE 8331869 (19207)		EA	1	*	*	*	*	*	*	6	10
P-F	2590-740-92	SPRING, HELICAL, COMPRESSION: CONTROL VALVE ADAPTER PLUNGER 7409231 (19207)		EA	1	*	*	*	*	*	*	6	10
P-F	2520-740-90	PLUNGER: CONTROL VALVE ADAPTER 7409077 (19207)		EA	1	*	*	*	*	*	*	3	5
P-F	2590-933-95	BODY, ADAPTER, HYDRAULIC: 8758394 (19207)		EA	1	*	*	*	*	*	*	2	5
P-F	5310-637-95	WASHER, LOCK: ADAPTER CONTROL VALVE MS35338-46 (96906)	AK	EA	6	*	*	*	*	*	*	6	20
P-F	5305-071-22	SCREW CAP, HEXAGON HEAD: VALVE ADAPTER MS90725-11 (96906)	AK	EA	6	*	*	*	*	*	*	6	20
X1		WASHER, LOCK: (COMPONENT OF PARTS KIT, CONTROL VALVE, FSN 2540-740-9205) 7740-38-15 (81336)	AK		4							229	9



AT 47322

Figure 227. Cylinder assembly.



AT 47322

Figure 228. Cylinder assembly and related parts.