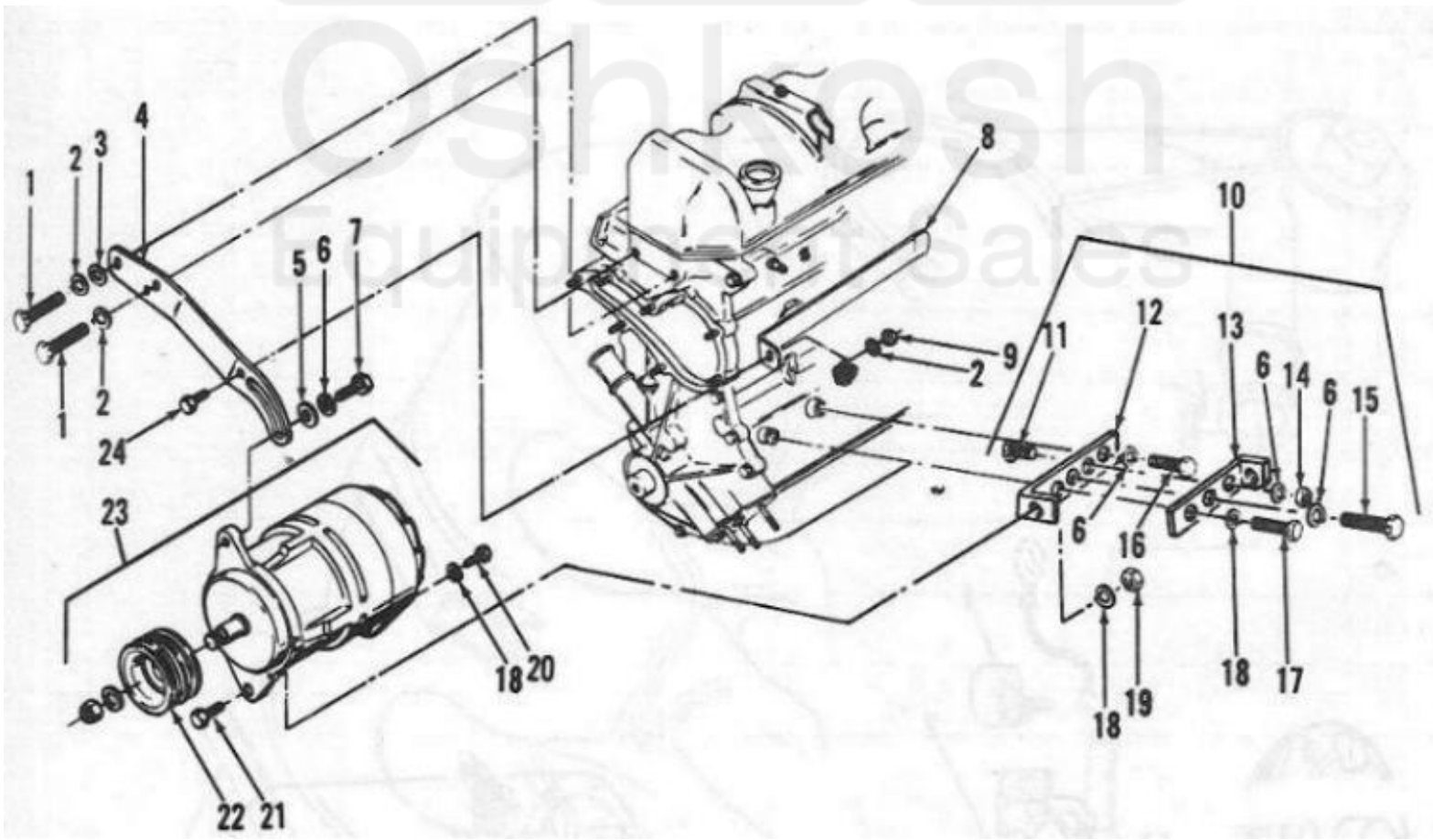


(1) SMR code	(2) Federal Stock Number	(3) Description Reference Number & Mfg. Code Usable on Code	(4) Unit of meas	(5) Qty inc in unit			(6) 30-day DS maint. allowance			(7) 30-day GS maint. allowance			(8) 1-yr alw per 100 equip cntgcy	(9) Depot maint alw per 100 equip	(10) Illustration	
				(a) 1-20	(b) 21-50	(c) 51-100	(a) 1-20	(b) 21-50	(c) 51-100	(a) Figure No.	(b) Item No.					
		0505 FANASSEMBLY														
PO	5306-225-8499	1 SCREW. CAP, HEX HEAD, 5/16-18 x MS90725-34 (96906)	EA	*	*	*	*	*	*					34	1	
PO	5310-407-9566	5/16 WASHER, LOCK, FAN MOUNTING, MS35338-45 (96906)	EA	*	*	*	*	*	*					34	2	
PO	2930-168-2340	FAN ASSEMBLY, RADIATOR 11657642 (19207)	EA	*	*	*	*	*	*					34	3	
PO	3030-130-5209	BELT, V, SET, FAN AND ALTERNATOR MS51065-42-3(96906)	EA	*	*	*	*	*	*					34	26	

GROUP 06 Electrical System



Current part is item (23) on diagram. Available at www.oshkoshequipment.com

(1) SMR code	(2) Federal Stock Number	(3) Description Reference Number & Mfg. Code Usable on Code	(4) Unit of meas	(5) Qty inc in unit	(6) 30-day DS maint. allowance			(7) 30-day GS maint. allowance			(8) 1-yr alw per 100 equip cntgcy	(9) Depot maint alw per 100 equip	(10) Illustration		
					(a) 1-20	(b) 21-50	(c) 51-100	(a) 1-20	(b) 21-50	(c) 51-100			(a) Figure No.	(b) Item No.	
		GROUP 06 ELECTRICAL SYSTEM													
		0601 ALTERNATOR													
PO	5306-226-4837	SCREW, ALTERNATOR BRACKET MS90728-44 (96906)	EA	2	*	*	*	*	*	*			35	1	
PO	5310-407-9566	WASHER, LOCK, 5/16 MS35338-45 (96906)	EA	3	*	*	*	*	*	*			35	2	
PO	5310-081-4219	WASHER, PLAIN, 5/16 MS27183-12 (96906)	EA	1	*	*	*	*	*	*			35	3	
PO	2920-247-0003	BRACKET, ALTERNATOR ADJUSTING 11657287 (19207)	EA	1	*	*	*	*	*	*			35	4	
PO	5310-698-4460	WASHER 7966692 (19207)	EA	1	*	*	*	*	*	*			35	5	
PO	5310-637-9541	WASHER, LOCK, 3/8 MS35338-46 (96906)	EA	4	*	*	*	*	*	*			35	6	
PO	5305-018-0121	SCREW, 3/8-16 x 7/8 MS90728-59 (96906)	EA	1	*	*	*	*	*	*			35	7	
X20		BRACE, ALTERNATOR SUPPORT 11657284 (19207)	EA	1	*	*	*	*	*	*			35	8	
PO	5310-880-7746	NUT, 5/16-24 MS51968-5 (96906)	EA	1	*	*	*	*	*	*			35	9	
PO	2590-474-5587	BRACKET, ALTERNATOR MOUNTING 11657293 (19207)	EA	1	*	*	*	*	*	*			35	10	
PO	5305-269-2804	BOLT, 3/8-24 x 1-1/8 MS90726-61 (96906)	EA	1	*	*	*	*	*	*			35	11	
X20		BRACKET, ALTERNATOR MOUNTING, FRONT 11657261 (19207)	EA	1	*	*	*	*	*	*			35	12	
X20		BRACKET, ALTERNATOR MOUNTING, REAR 11657198 (19207)	EA	1	*	*	*	*	*	*			35	13	

(1) SMR code	(2) Federal Stock Number	(3) Description Reference Number & Mfg. Code Usable on Code	(4) Unit of meas	(5) Qty inc in unit	(6) 30-day DS maint. allowance			(7) 30-day GS maint. allowance			(8) 1-yr alw per 100 equip cntgcy	(9) Depot maint alw per 100 equip	(10) Illustration		
					(a) 1-20	(b) 21-50	(c) 51-100	(a) 1-20	(b) 21-50	(c) 51-100			(a) Figure No.	(b) Item No.	

Current part is item (23) on diagram. Available at www.oshkoshesales.com														
(1) SMR code	(2) Federal Stock Number	(3) Description Reference Number & Mfg. Code Usable on Code	(4) Unit of meas	(5) Qty inc in unit	(a) 1-20	(b) 21-50	(c) 51-100	(a) 1-20	(b) 21-50	(c) 51-100	(8) 1-yr alw per 100 equip cntgcy	(9) Depot maint alw per 100 equip	(a) Figure No.	(b) Item No.
		0601 ALTERNATOR Continued												
PO	5310-732-0559	NUT, 3/8-24 MS51968-8(96906)	EA	1	*	*	*	*	*	*			35	14
PO	5305-269-2801	BOLT, ALTERNATOR FRONT AND REAR MOUNTING BRACKETS, 3/8-24 x 3/4 MS90726-58 (96906)	EA	1	*	*	*	*	*	*			35	15
PO	5305-825-8055	SCREW, CAP HEX HEAD, ALTERNATOR MOUNTING BRACKET ASSY., 7/16-14x 1 MS35303-85 (96906)	EA	1	*	*	*	*	*	*			35	16
PO	5305-709-8523	SCREW, CAP HEX HEAD, 7/16-14 x 1-1/4, ALTERNATOR BRACKET MS90727-87 (96906)	EA	1	*	*	*	*	*	*			35	17
PO	5310-209-0965	WASHER, LOCK , 7/16 MS3533847 (96906)	EA	4	*	*	*	*	*	*			35	18
PO	5310-297-3250	NUT, 7/16-20 MS51968-11 (96906)	EA	1	*	*	*	*	*	*			35	19
PO	5305-710-4190	SCREW, CAP, HEX HEAD, ALTERNATOR, 7/16-20 x 1 MS90726-85 (96906)	EA	1	*	*	*	*	*	*			35	20
PO	5305-710-4194	SCREW, 7/16-20 x 1-1/2 MS90726-89 (96906)	EA	1	*	*	*	*	*	*			35	21
PO	2920-917-0729	PULLEY, ALTERNATOR 11657271 (19207)	EA	1	*	*	*	*	*	*			35	22
POR	2920-909-2483	ALTERNATOR. RECTIFIED AC, 60 AMP 10929868 (19207)	EA	1	*	*	*	*	*	*			35	23
PO	5306-225-9088	SCREW, CAP, HEX HEAD ALTERNATOR SUPPORT BRACE MS90726-33 (96906)	EA	1	*	*	*	*	*	*			35	24
		0603 STARTING MOTOR												
X20		PLATE, STARTER SWITCH 11657749 (19207)	EA	1	*	*	*	*	*	*			36	1
PO	5305-543-2335	SCREW AND LOCK WASHER, PLATE MOUNTING 188749 (24617)	EA	4	*	*	*	*	*	*			36	2