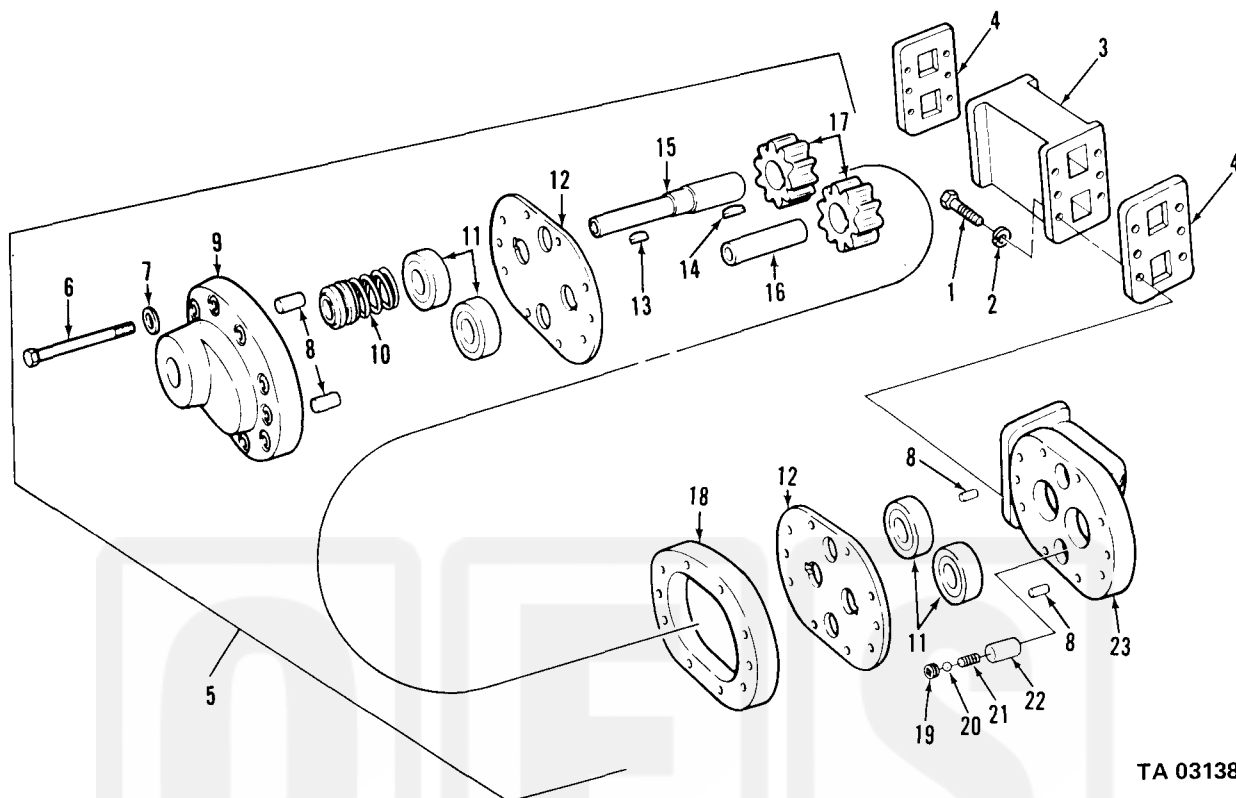


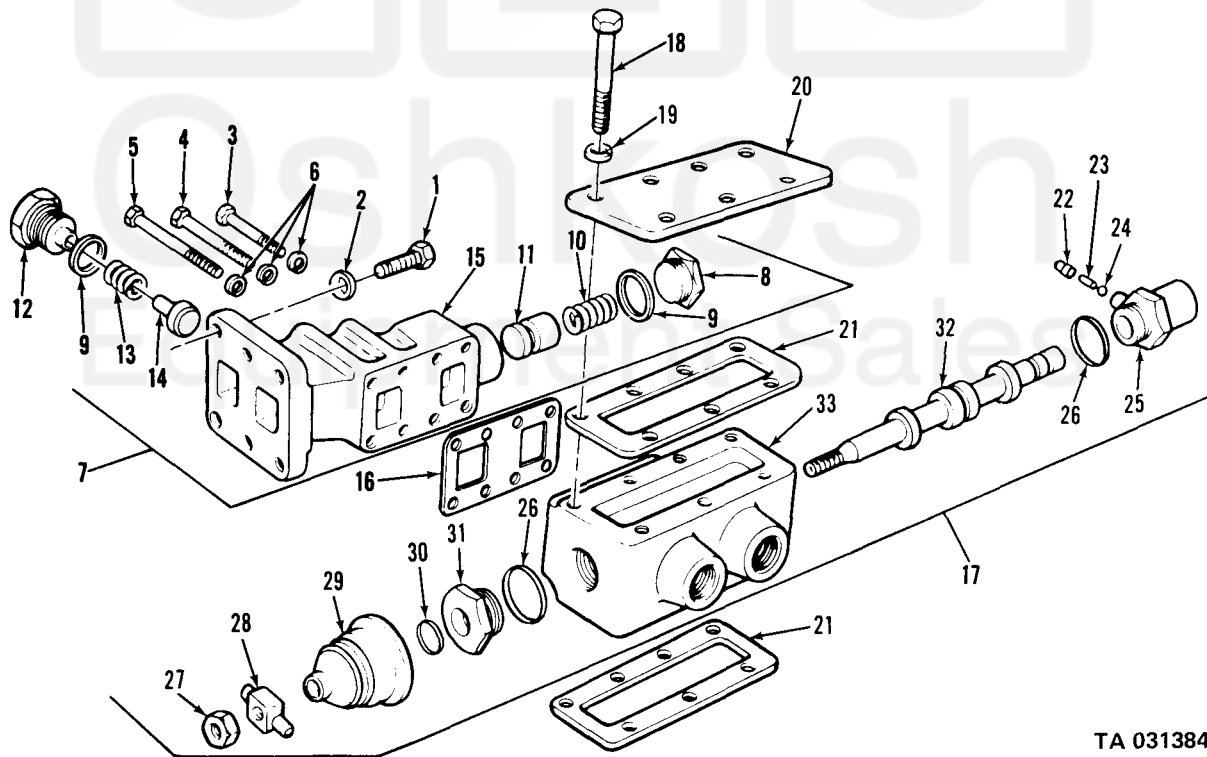
| (1) | (2) | (3) | (4) | (5) | (6) | (7) | (8) |
|--------|------|-------|------------------|------------|---|-----|------|
| ILLUS. | | | | | | | QTY |
| (a) | (b) | SMR | NATIONAL | PART | DESCRIPTION | U/M | INC |
| FIG. | ITEM | CODE | STOCK | NUMBER | FSCM | | IN |
| NO. | NO. | | NUMBER | | USABLE ON CODE | | UNIT |
| | | | | | 2001-HOIST,CAPSTAN,WINDLASS,CRANE OR WINCH ASSEMBLY(CONT'D) | | |
| 288 | 17 | PAFHH | 4810-00-117-0251 | 7409083 | 19207 VALVE:CONTROL ASSEMBLY (M47,M59,M342,M342A2) | EA | 1 |
| 288 | 18 | KFHZZ | | MS90726-74 | 96906 SCREW,CAP,HEXAGON HEAD (PART OF KIT,P/N 7409205) | | |
| 288 | 19 | KFHZZ | | MS35338-46 | 96906 WASHER,LOCK (PART OF KIT, P/N 7409205)(M47,M59,M342, M342A2) | EA | 7 |
| 288 | 20 | XA | | 7409088 | 19207 COVER(M47,M59,M342,M342A2) | EA | 1 |
| 288 | 21 | PAHZZ | 5330-00-740-9089 | 7409089 | 19207 GASKET:CONTROL VALVE COVER (M47,M59,M342,M342A2) | EA | 2 |
| 288 | 22 | KFHZZ | | 113175 | 21450 PLUG,PIPE:VALVE END CAP,1/8-27THD SIZE(PART OF KIT,P/N7409205) | | |
| 288 | 23 | KFHZZ | | 7409073 | 19207 SPRING,VALVE END CAP (PART OF KIT,P/N7409205) | EA | 1 |
| 288 | 24 | KFHZZ | | MS19059-98 | 96906 BALL,BEARING:S,5/16 IN.DIA. (PART OF KIT,P/N7409205) | EA | 1 |
| 288 | 25 | KFHZZ | | 7409086 | 19207 CAP,VALVE END(PART OF KIT P/N7409205)(M47,M59,M342, M342A2) | EA | 1 |
| 288 | 26 | KFHZZ | | 7409082 | 19207 GASKET(PART OF KIT,P/N7409205) (M47,M59,M342,M342A2) | EA | 2 |
| 288 | 27 | KFHZZ | | MS51968-14 | 96906 NUT,JAM,VALVE SPOOL (PART OF KIT,P/N7409205 (M47,M59,M342,M342A2) | EA | 1 |
| 288 | 28 | KFHZZ | | 7405087 | 19207 TRUNNION,VALVE SPOOL (PART OF KIT,P/N7409205) (M47,M59,M342,M342A2) | EA | 1 |
| 288 | 29 | PAHZZ | 2590-00-563-4641 | 8329894 | 19207 BELLOWS,RUBBER:DUMP BODY HOIST4-WAY VALVE SPOOL HYDRUALIC (M47,M59,M342,M342A2) | EA | 1 |
| 288 | 30 | KFHZZ | | 501461 | 21450 PACKING,PREFORMED (PART OF KIT,P/N7409205) (M47,M59,M342,M342A2) | EA | 1 |
| 288 | 31 | XA | | 7409162 | 19207 BUSHING,MACHINE (M47,M59,M342,M342A2) | EA | 1 |
| 288 | 32 | KFHZZ | | 7409085 | 19207 SPOOL,VALVE(M47,M59, M342,M342A2)(PART OF KIT, P/N7409205) | EA | 1 |
| 288 | 33 | XA | | 7409084 | 19207 BODY(M47,M59,M342,M342A2) | EA | 1 |

Current part is item (33) on diagram. Available at www.oshkoshequipment.com



TA 031383

Figure 287. Hydraulic hoist pump assembly.



TA 031384

Figure 288. Hydraulic hoist control valve and adapter.

Current part is item (33) on diagram. Available at www.oshkoshequipment.com