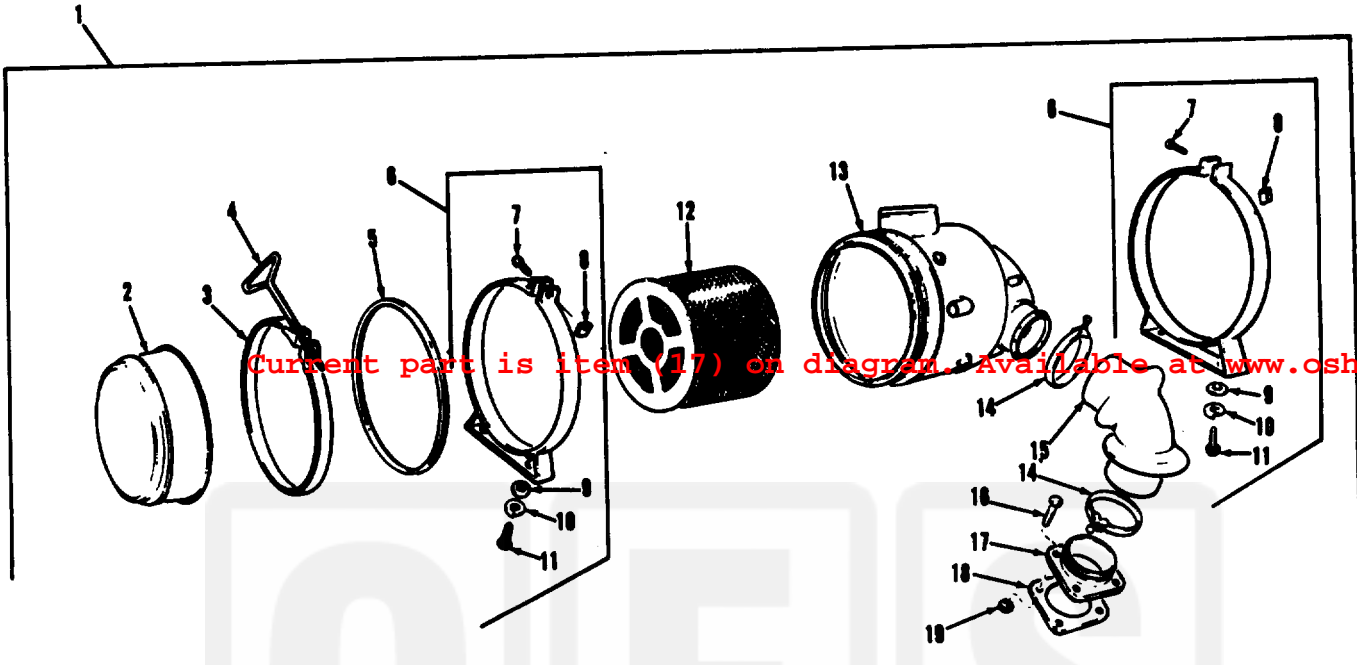


(1) SMR Code	(2) Federal Stock Number	(3) DESCRIPTION	(4) UNIT	(5) Qty	(6) 30-day DS maint	(7) 30-day GS maint	(8) 1-yr Depot	(9) 1-yr	(10) Illustration	(a) alw	(b) per 100 equip	(c) maint	(a) Figure	(b) Item No.
Reference Number & Mfr. Code			Usable On Code			(a)	(b)	(c)	(a)	(b)	(c)	cnt-		
0704-TRANSMISSION TOP COVER ASSEMBLY-CONTINUED														
P-F	5330-040-2253	GASKET: GEAR SHIFT HOUSING (COMPONENT OF GASKET SET FSN 2520-692-6183 7376172 (19207))	A	EA	1	*	*	*	*	*	*	15	48	17
P-O	5340-810-0611	PLUG, EXPANSION: REVERSE AND FIRST SPEED SHIFTING ROD HOLE MS35648-6 (96906)	A	EA	3	*	*	*	*	*	*	6	10	48
P-F	5315-033-6003	PIN, GROOVED, HEADED: 7346737 (19207)	A	EA	1	*	*	*	*	*	*	6	10	48
P-F	2520-734-6732	SPRING, HELICAL COMPRESSION: REVERSE AND FIRST SPEED SHIFT FINGER PLUNGER 7346732 (19207)	A	EA	1	*	*	*	*	*	*	6	10	48
P-F	2520-392-3561	RETAINER, POPPET: FINGER PLUNGERSPRING 2770M (50513)	A	EA	1	*	*	*	*	*	*	6	10	48
P-F	5305-071-2234	SCREW, CAP, HEXAGON: POPPET VALVE MS90725-17 (96906)	A	EA	4	*	*	*	*	*	*	6	10	48
P-F	5305-267-8979	SCREW, CAP, HEXAGON: POPPET VALVE MS90726-13 (96906)	A	EA	4	*	*	*	*	*	*	6	10	48
P-F	5310-550-1130	WASHER, LOCK: POPPET VALVE MS35333-40 (96906)	A	EA	4	*	*	*	*	*	*	6	10	48
P-F	2520-832-7103	GASKET: MOUNTING CONTROL VALVE 8327103 (19207)	A	EA	2	*	*	*	*	*	*	15	100	48
P-F	5330-579-791	PACKING, PREFORMED: MOUNTING CONTROL VALVE MS28775-217 (96906)	A	EA	2	*	*	*	*	*	*	15	40	48
P-F	2530-832-7013	VALVE ASSEMBLY TWIN POPPET: 8327013 (19207)	A	EA	1	*	*	*	*	*	*	8	10	49
X2-F		MANIFOLD: 8327108 (19207)	A	EA	1	*	*	*	*	*	*			49
P-F	4730-277-5684	ELBOW: MANIFOLD 121619 (21450)	A	EA	1	*	*	*	*	*	*	4	8	49
P-F	2520-413-8953	GASKET: MANIFOLD 8327106 (19207)	A	EA	4	*	*	*	*	*	*	15	100	49
P-F	5310-655-7145	WASHER, FLAT: SPRING MS15795-216 (96906)	A	EA	2	*	*	*	*	*	*	6	10	49
P-F	3950-260-4071	SPRING HELICAL, COMPRESSION: 8327105 (19207)	A	EA	2	*	*	*	*	*	*	6	10	49
P-F	5330-361-6781	SEAL, PLAIN: VALVE BODY N10919C (40342)	A	EA	2	*	*	*	*	*	*	6	12	49
P-F	4730-069-1187	ELBOW, PIPE TO TUBE: MS39182-3 (96906)	A	EA	3	*	*	*	*	*	*	4	8	49



Current part is item (17) on diagram. Available at www.oshkoshequip.com

AT 47148

Figure 7. Air cleaner assembly—gasoline.

OES
Oshkosh
Equipment Sales

Current part is item (17) on diagram. Available at www.oshkoshequip.com