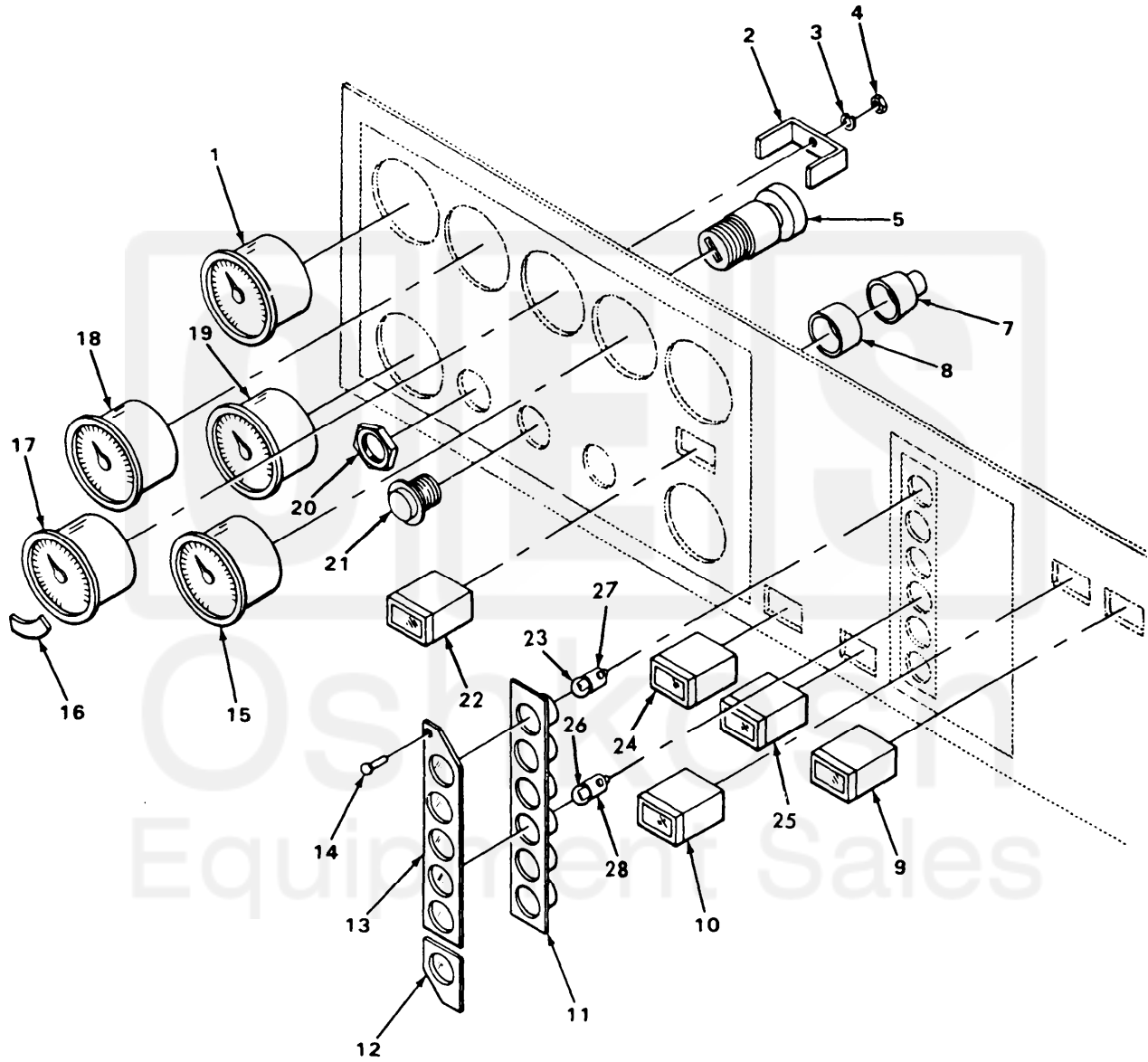


6
7 AND 8



TA215407

FIGURE 37. GAGES.

Current part is item (5) on diagram. Available at www.oshkoshequipment.com

SECTION II (1)	ITEM (2)	SMR (3)	FSCM (4)	PART (5)	DESCRIPTION AND USABLE ON CODE (UOC)	QTY (6)
					GROUP:0607 INSTRUMENT OR CONTROL PANEL	
					FIGURE 37. GAGES.	
1	PAOZZ	95879	284-M		INDICATOR, LIQUID QU	1
2	PAOZZ	98738	824936-14		BRACKET, DOUBLE ANGL	5
3	PAOZZ	34623	5962514		WASHER, LOCK	10
4	PAOZZ	96906	MS35650-302		NUT, PLAIN, HEXAGON	10
5	PAOZZ	77236	31-164		SWITCH, ELECTRICAL (NOTE: ORDER LOCK CYLINDER WITH KEY NSN 2540-01- 155-3601 ORDER KEY BLAMKS NSN 5340-00-357-9269)	1
6	PAOOO	98738	206836		SOCKET, PLUG-IN ELEC	1
7	PAOZZ	10966	206836		.DIAPHRAGM, PRESSURE	1
8	PAOZZ	10966	LU-27031		.SHELL, ELECTRICAL CO	1
9	PAOZZ	91802	2410A71		LIGHT, INDICATOR WASHER	1
10	PAOZZ	91802	2410A70		LIGHT, INDICATOR WIPER	1
11	PAOZZ	34623	5990382		TUBE ASSEMBLY	1
12	PAOZZ	34623	MB190-20000		LENS, LIGHT	1
13	PAOZZ	34623	MB190-20001		LENS, LIGHT	1
14	PBOZZ	05693	SSP-62		RIVET, BLIND	2
15	PAOZZ	98738	460R		GAGE, PRESSURE, DIAL	1
16	PAOZZ	34623	MB162-20013		OVERLAY GAGE	1
17	PAOZZ	98738	465S		GAGE ASSY, OIL TEMP	1
18	PAOZZ	98738	470M		VOLTIMETER	1
19	PAOZZ	57733	284J		INDICATOR, TERMPERATU	1
20	PAOZZ	77326	31-118-100		NUT, PLAIN, SINGLE	1
21	PAOZZ	13445	9095		SWITCH, PUSH	1
22	PAOZZ	91802	2410A75		LIGHT, INDICATOR	1
23	PAOZZ	08108	1895		LAMP, INCANDESCENT	13
24	PAOZZ	34623	M-C191-20001		LIGHT, INDICATOR	1
25	PAOZZ	91802	2410-B-32		LIGHT, INDICATOR	1
26	PAOZZ	08108	256		LAMP, INCANDESCENT	1
27	PAOZZ	13445	2506		SOCKET 2 WIRE	1
28	PAOZZ	13445	2505		SOCKET 1 WIRE	1

END OF FIGURE

Current part is item (5) on diagram. Available at www.oshkoshequipment.com