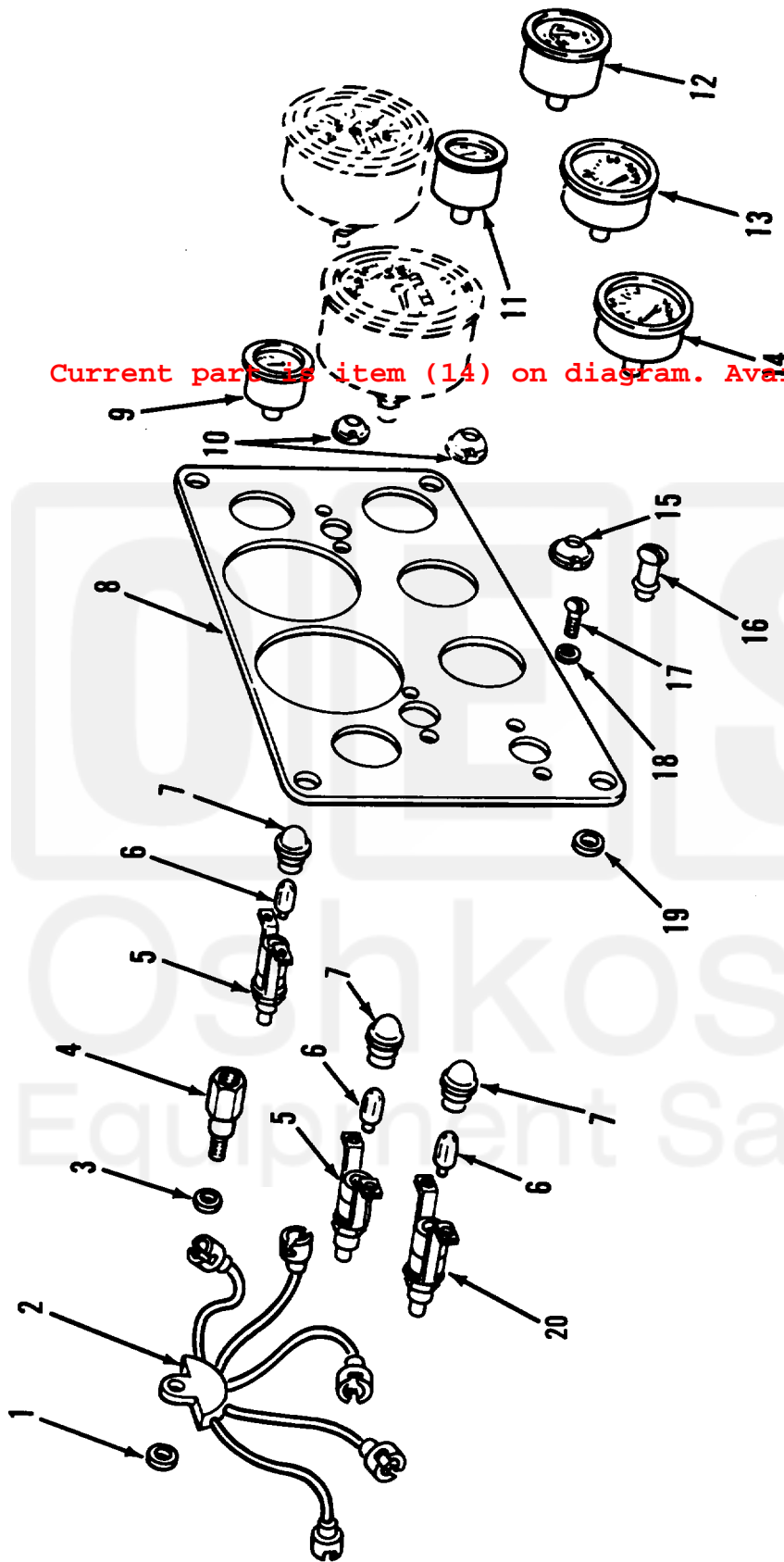


(1) SMR Code	(2) Federal Stock Number	(3) Description	(4) Unit Meas.	(5) Qty	(6) 15-day Maintenance	(7) Organizational alw	(7) Illustration No.	(a) Figure No.	(b) Item No.	
		Reference number & mfg. code	Usable on code	(a) 1-5	(b) 6-20	(c) 21-50	(d) 51-100			
		0607-INSTRUMENT PANEL-CONTINUED								
PAOZZ	6625-321-6365	METER, ARBITRARY SCALE: BATTERY-GENERATOR MS24532-2 (96906)	A	EA	1	*	*	*	63	13
PAOZZ	6685-515-3478	GAGE, PRESSURE, DIAL: AIR, 120 PSI (USED WITH HOSE, FSN 2530-319-6002) 7954512 (19207)	A	EA	1	*	*	*	63	14
PAOZZ	2590-693-4173	COVER: HIGH BEAM INDICATOR LIGHT (USED WITH, FSN 6210-776-0418) 7384389 (19207)	A	EA	1	*	*	*	63	15
PAOZZ	5325-757-1963	STUD, TURNLOCK FASTENER: PANEL MOUNTING 7526590 (19207)	A	EA	4	*	*	*	63	16
PAOZZ	5305-889-3002	SCREW, MACHINE: HIGH BEAM INDICATOR LIGHT (2) PANEL LIGHTS (4) MS35206-242 (96906)	A	EA	6	*	*	*	63	17
PAOZZ	5310-045-3299	WASHER, LOCK: HIGH BEAM INDICATOR LIGHT (2), PANEL LIGHTS (4) MS35338-42 (96906)	A	EA	6	*	*	*	63	18
PAOZZ	5310-752-6591	PUSH ON NUT: CLUSTER PANEL MOUNTING STUD 7526591 (19207)	A	EA	4	*	*	*	63	19
PAOZZ	6210-174-1375	LIGHT, INDICATOR: HIGH BEAM 24V (USED ON NEW TYPE PANEL WITH 1 INCH HOLE) 7358619 (19207)	A	EA	1	*	*	*	63	20
PAOZZ	6210-776-0418	LIGHT, INDICATOR: HIGH BEAM, 24V (USED ON OLD TYPE PANEL WITH 1-7/8 INCH HOLE) 7760418 (19207)	A	EA	1	*	*	*	63	20
PAOZZ	2510-752-6596	NONILLUSTRATED SHIELD, PANEL LIGHT: 7526596 (19207)	A	EA	2	*	*	*		
PAOZZ	2510-753-9519	CASE: GAGE, WITH RESISTOR 7539519 (19207)	A	EA	4	*	*	*		
PAOZZ	2520-040-2303	SPACER, SLEEVE: BRAKE LOCK 8330243 (19207)	HA,JA,BD	EA	1	*	*	*		
PAOZZ	5930-610-6025	SWITCH ASSEMBLY: MICRO BRAKE LOCK 7355592 (19207)	HA,JA,BD	EA	1	*	*	*		
PAOZZ	2530-874-3284	LOCK ASSEMBLY, BRAKE MICRO: USED WITH VEHICLES HAVING DOUGLAS CONNECTOR 10913198 (19207)	HA,JA,BD	EA	1	*	*	*		
PAOZZ	2530-886-5872	LOCK ASSEMBLY, BRAKE, MICRO: USED WITH VEHICLES HAVING PACKARD CONNECTORS 10913199 (19207)	HA,JA,BD	EA	1	*	*	*		

AT 47160



Current part is item (14) on diagram. Available at www.oshkoshequip.com

Figure 63. Instrument cluster.

Current part is item (14) on diagram. Available at www.oshkoshequip.com