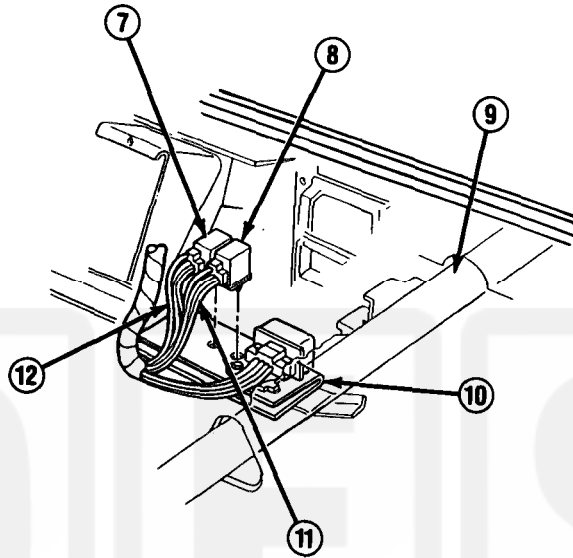

4-9. VOLTMETER, VOLTMETER RELAY, AND GENERATOR 2 RELAY REPLACEMENT (Con't).



3. Install voltmeter (6) on instrument cluster plate (2). Install retaining bracket (1) with 2 washers (4) and nuts (5).

FOLLOW-ON TASKS:

- Install instrument cluster plate if removed. (See paragraph 4-7)
- Check operation of voltmeter, door ajar light, or generator 2.

TA49868

4-27

