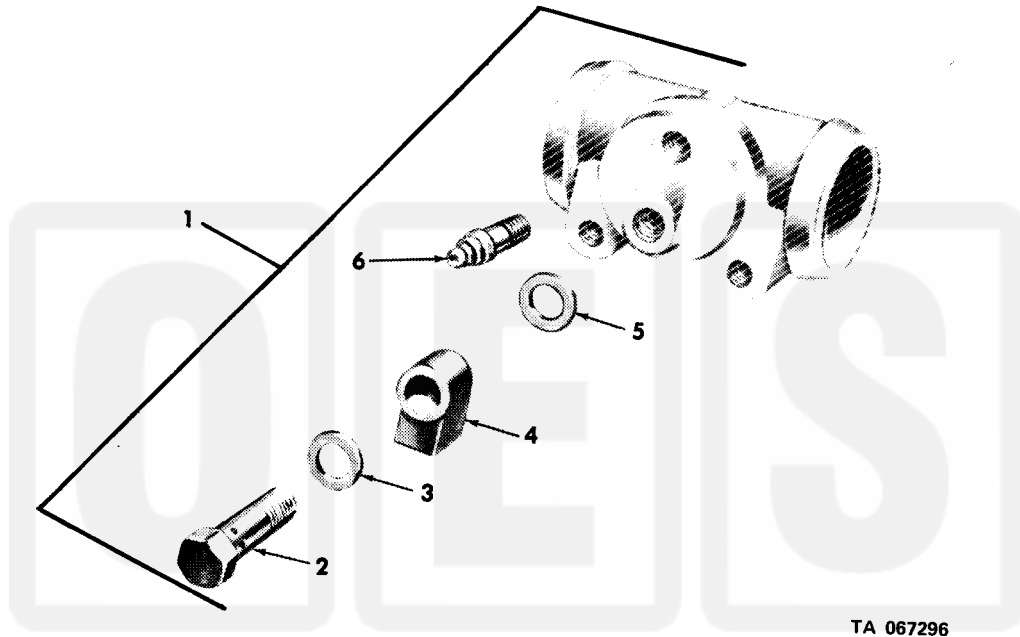


Current part is item (5) on diagram. Available at [www.oshkoshequipment.com](http://www.oshkoshequipment.com)

(1)	(2)	(3)	(4)	(5)	(6)	(7)	(8)	
ILLUS.							QTY	
(a)	(b)	SMR	NATIONAL	PART		DESCRIPTION	U/M	INC
FIG.	ITEM	CODE	STOCK	NUMBER	FSCM			IN
NO.	NO.		NUMBER			USABLE ON CODE		UNIT
						1204-HYDRAULIC BRAKE SYSTEM		
90	1	PAOZZ	2530-00-274-4511	7411010	19207	CYLINDER ASSEMBLY: HYDRAULIC BRAKES, WHEEL(SEE FIG 89,ITEM NO 8)	EA	6
90	2	PAOZZ	4730-00-516-7419	5167419	19207	BOLT,FLUID PASSAGE	EA	6
90	3	PAOZZ	5310-00-209-1761	5160323	19207	WASHER,FLAT: INLET FITTING BOLT	EA	6
90	4	PAOZZ	4730-00-278-5812	5298521	19207	CONNECTOR,MULTIPLE,FLUID PRESSURE LINE: INLET	EA	6
90	53	PAOZZ	5310-00-275-6635	5214539	19207	WASHER,FLAT: INLET FITTING	EA	6
90	6	PAOZZ	2530-00-737-3260	7373260	19207	BLEEDER,VALVE,HYDRAULIC	EA	6
91	1	PAOZZ	5306-00-317-3096	596453	21450	BOLT,ASSEMBLED WASHER	EA	4
91	2	PAOZZ	5340-00-337-8222	7372733	19207	CONNECTOR,MASTER CYLINDER	EA	1
91	3	PAOZZ	5310-00-839-2066	MS35691-45	96906	NUT,JAM	EA	1
91	4	PAOFF	2530-00-753-9267	7539267	19207	CYLINDER ASSEMBLY,HYDRAULIC: BRAKE,MASTER	EA	1
91	5	PAOFF	4730-00-287-1835	MS49005-2	96906	PIPE,PLUG	EA	1
91	6	PAOFF	2530-00-703-2636	7032636	19207	CAP	EA	1
91	7	PAOFF	5365-00-737-3354	737-3354	19207	SPACER	EA	1
92	3	PAOZZ	5340-00-954-6014	MS21333-121	96906	CLAMP,LOOP: BRAKE LINE	EA	10
92	4	PAOZZ	5340-00-523-5996	7373268	19207	CLAMP,LOOP: BRAKE LINE	EA	5
92	5	PAOZZ	4710-00-752-9371	7529371	19207	TUBE ASSEMBLY,METAL: FORWARD REAR AXLE TEE TO RIGHT WHEEL CYLINDER	EA	1
92	6	PAOZZ	2520-00-752-9373	7529373	19207	LINE,AXLE TEE: REAR AXLE TEE TO RIGHT WHEEL CYLINDER	EA	1
92	7	PAOZZ	4710-00-752-9370	7529370	19207	TUBE ASSEMBLY,METAL: FORWARD REAR AXLE LINE TEE TO LEFT WHEEL CYLINDER	EA	1
92	8	PAOZZ	4710-00-752-9372	7529372	19207	TUBE ASSEMBLY,METAL: REAR,REAR AXLE LINE TEE TO LEFT WHEEL CYLINDER	EA	1
92	9	PAOZZ	5340-00-904-3705	MS21333-82	96906	CLAMP,LOOP: REAR AXLE BRAKE HOSE TO TORQUE ROD AA,AB	EA	4
92	9	PAOZZ	5975-00-156-3253	MS3367-2-9	96906	STRAP,ADJUSTABLE,TIEDOWN AC	EA	4
92	10	PAOZZ	5310-00-934-9751	MS35650-302	96906	NUT: CLAMP MTG AA,AB	EA	4
92	11	PAOZZ	5310-00-809-8546	MS27183-8	96906	WASHER,FLAT: CLAMP MYG AA,AB	EA	8
92	12	XBOZZ		424339	21450	SCREW,ASSEMBLED WASHER: BRAKE HOSE CLAMP AA.AB	EA	4
92	13	PAOZZ	4720-00-737-3248	7373248	19207	HOSE ASSEMBLY,NON METAL: SUPPLY FORWARD,REAR AND REAR AXLE BRAKE	EA	2
92	14	PAOZZ	4730-00-737-3249	7373249	19207	TEE,MULTIPLE,FLUID PRESSURE LINE: REAR,REAR AND FORWARD REAR AXLE BRAKE WHEEL CYLINDER LINE	EA	2

Current part is item (5) on diagram. Available at [www.oshkoshequipment.com](http://www.oshkoshequipment.com)



TA 067296

Figure 90. Wheel cylinder assembly.

Oshkosh  
Equipment Sales