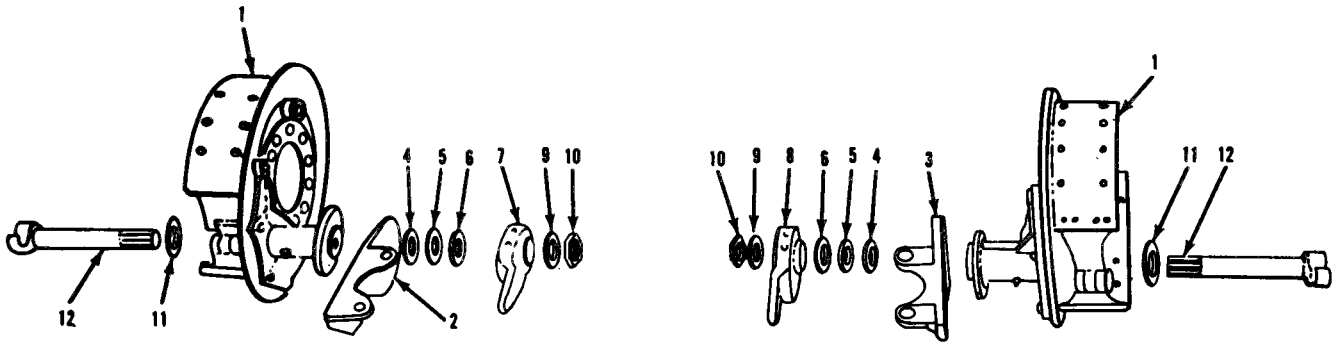


Current part is item (23) on diagram. Available at [www.oshkoshequipment.com](http://www.oshkoshequipment.com)

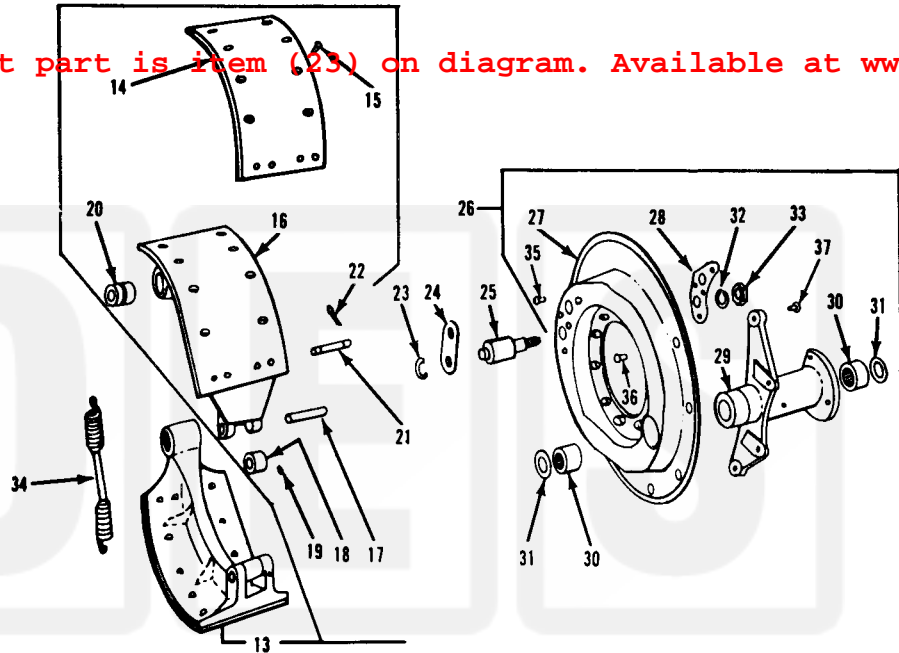
(1)	(2)	(3)	(4)	(5)	(6)				(7)			(8)			(9)	(10)	
SMR	FEDERAL	DESCRIPTION	UNIT	QTY	15-DAY ORGANIZATION				30-DAY DS			30-DAY GS			1-YR. ALW	ILLUSTRATION	
CODE	STOCK		OF	INC	MAINTENANCE				MAINTENANCE			MAINTENANCE			PER 100	(A)	(B)
	NUMBER	REFERENCE NUMBER & MFR CODE	MEAS	IN	ALLOWANCE	ALLOWANCE	ALLOWANCE	ALLOWANCE	ALLOWANCE	ALLOWANCE	ALLOWANCE	ALLOWANCE	ALLOWANCE	EQUIP	PLANNING	FIG	ITEM
				UNIT	(A)	(B)	(C)	(D)	(A)	(B)	(C)	(A)	(B)	(C)	NO	NO	NO
					1-5	6-20	21-50	51-100	1-20	21-50	51-100	1-20	21-50	51-100			
PAFZZ	5320-058-9883	RIVET: TUBULAR, FLAT BD, NO. 8 MS16536-172 (96906)	EA	128					*	*	*	*	*	*		15	15
XAOZZ		SHOE, BRAKE 7979279 (19207)	EA	8												15	16
PAOZZ	2530-374-2127	SHAFT, STRAIGHT: 1/4 X 2 1/4 (CAMSHAFT ROLLER) 7523847 (19207)	EA	8	*	*	*	*	*	*	*	*	*	*		15	17
PAOZZ	3120-350-5466	BEARING, ROLLER, CAMSHAFT 7534846 (19207)	EA	8	*	*	*	*	*	*	*	*	*	*		15	18
PAOZZ	5305-723-9385	SETScrew: HEX SOCKET, CUP POINT. -20NC-3 X 1/8 MS51963-63 (96906)	EA	8	*	*	*	*	*	*	*	*	*	*		15	19
PAOZZ	3120-740-9567	BUSHING, PLAIN SLEEVE: 1.3695 ID. 1.4425 OD. 1.886 LG 7409567 (19207)	EA	8	*	*	*	*	*	*	*	*	*	*		15	20
PAOZZ	5315-740-9379	PIN, GROOVED: RETURN SPRING 7409379 (19207)	EA	8	*	*	*	*	*	*	*	*	*	*		15	21
PAOZZ	5315-842-3651	PIN, COTTER; 3 32 X MS24665-295 (96906)	EA	16	*	*	*	*	*	*	*	*	*	*		15	22
PAOZZ	5310-797-9332	WASHER, C 7979332 (19207)	EA	8	*	*	*	*	*	*	*	*	*	*		15	23
PAOZZ	2530-204-3622	STRAP 7979340 (19207)	EA	4	*	*	*	*	*	*	*	*	*	*		15	24
PAOZZ	2530-461-3835	PIN, PIVOT, ANCHOR 7979271 (19207)	EA	8	*	*	*	*	*	*	*	*	*	*		15	25
PAOZZ	2530-303-9887	PLATE ASSY, BACKING 7979337 (19207)	EA	4	*	*	*	*	*	*	*	*	*	*		15	26
PAOZZ	2530-177-7986	PLATE, BACKING 7979336 (19207)	EA	4	*	*	*	*	*	*	*	*	*	*		15	27
XAOZZ		BRACKET: ANCHOR PIN MTG 7979334 (19207)	EA	1												15	28
XAOZZ		BRACKET: CAMSHAFT MTG 7979335 (19207)	EA	4												15	29
XAOZZ		BEARING, NEEDLE: MIL-STD-CODE 345- 02403-4300.1.500 SHAFT DIA. 1.8750 OD. 1.2500W 709438 (21450)	EA	8												15	30
PAOZZ	5330-297-9829	SEAL, PLAIN: TYPE MW. 1 1/2 X 2 X 7979333 (19207)	EA	8	*	*	*	*	*	*	*	*	*	*		15	31
PAOZZ	5310-584-7888	WASHER, LOCK, SPLIT: ID MS35338-51 (96906)	EA	8	*	*	*	*	*	*	*	*	*	*		15	32
PAOZZ	5310-275-9460	NUT, PLAIN, HEX: 1/1-16NF-3 7413488 (19207)	EA	8	*	*	*	*	*	*	*	*	*	*		15	33
PAOZZ	5360-797-9339	SPRING: HELICAL TENSION, SHOE RETURN 7409383 (19207)	EA	4	*	*	*	*	*	*	*	*	*	*		15	34



Current part is item (23) on diagram. Available at [www.oshkoshequipment.com](http://www.oshkoshequipment.com)



Current part is item (23) on diagram. Available at [www.oshkoshequ](http://www.oshkoshequ)



TA011190

Figure 15. Service brakes—M269, M270.

Oshkosh  
Equipment Sales

Current part is item (23) on diagram. Available at [www.oshkoshequ](http://www.oshkoshequ)