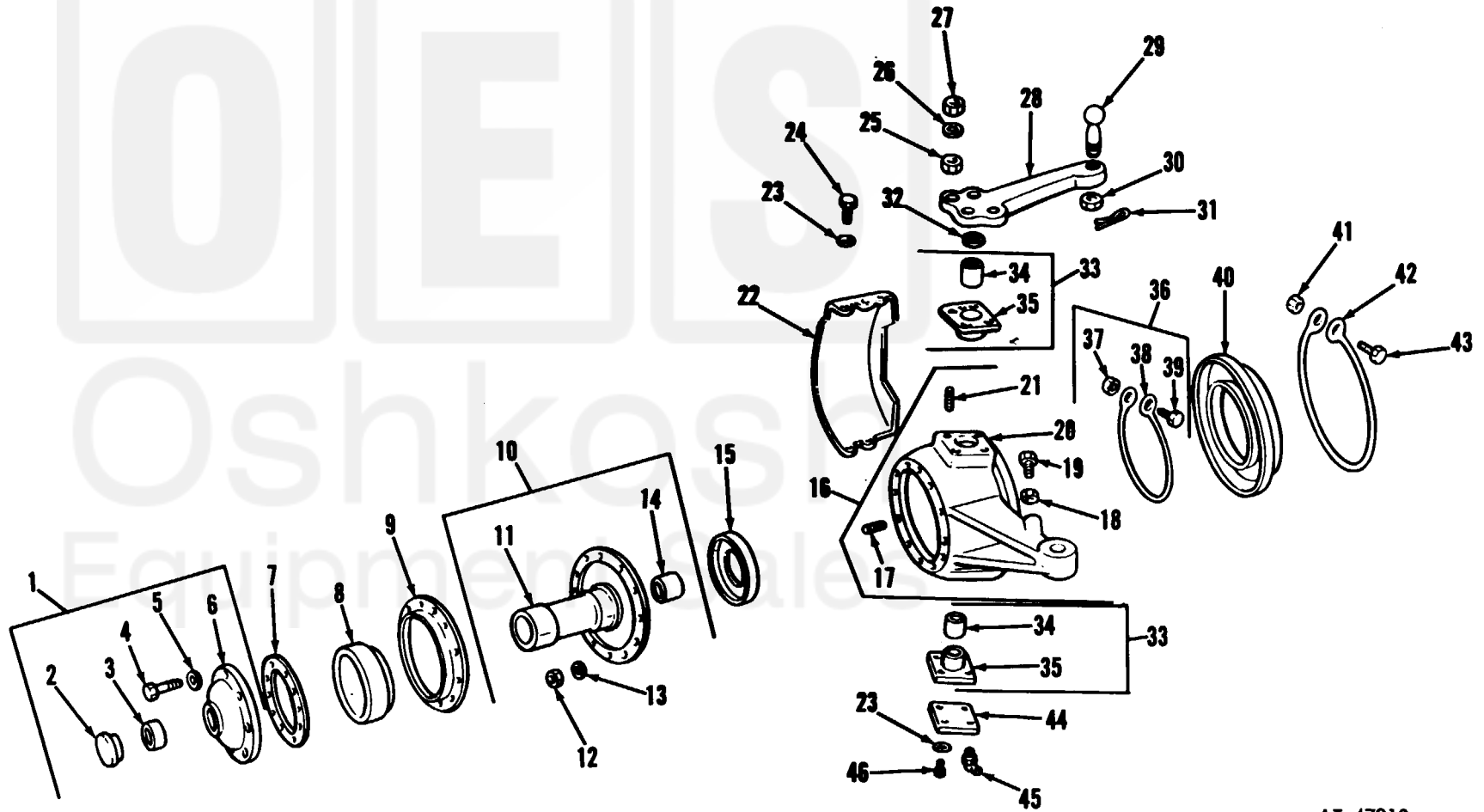


(1) SMR Code	(2) Federal Stock Number	(3) DESCRIPTION	(4) UNIT	(5) Qty	(6) 30-day DS maint	(7) 30-day GS maint	(8) 1-yr Depot	(9) Illustration	(10) Figure	(11) Item			
			of	inc.	allowance	allowance	alw	maint					
			meas	in			per	alw					
			Unit				100	per	(a)	(b)			
							equip	100	Figure	Item			
Reference Number & Mfr. Code			Usable On Code	(a)	(b)	(c)	(a)	(b)	(c)	cnt-	gcy		
1002-DIFFERENTIAL-CONTINUED													
NON-ILLUSTRATED-CONTINUED													
P-H	2520-734-6881	GEAR SET: BEVEL ALL MODELS EXCEPT LA,MA 7346881 (19207)	EA	V			*	*	*	10	40		
		CONSISTING OF:											
	2520-311-7875	1-GEAR SHAFT 3890P354 (78500)								69	21		
		1-GEAR DRIVE PINION 3889L272-A (78500)								70	1		
P-H	2520-734-6959	KIT,REPAIR: GEAR SET 7346959 (19207)	EA	V			*	*	*	10	40		
		CONSISTING OF:											
	3120-303-4977	2-WASHER DIFFERENTIAL GEAR 1729H1022 (78500)								68	5		
	2520-303-5007	2-GEAR SIDE DIFFERENTIAL GEAR 2234H190 (78500)								68	6		
	2520-303-5074	1-SPIDER DIFFERENTIAL CASE 3278F84 (78500)								68	8		
		4-GEAR HELICAL TO BEVEL GEAR A2233J114 (78500)								68	10		
	5310-285-9402	14-WASHER HEAR BEARING 1229Q1031 (78500)								68	12		
1004-STEERING AND LEANING WHEEL MECHANISM													
P-O	2520-734-6991	FLANGE ASSEMBLY,DRIVE: 7346991 (19207)	A	EA	2	*	*	*	*	6	20	71	1
P-O	5340-734-6992	PLUG,EXPANSION: DRIVE FLANGE 7346992 (19207)	A	EA	1	*	*	*	*	6	20	71	2
P-O	5330-054-6865	PACKING,PREFORMED: 220984 (44674)	A	EA	1	*	*	*	*	6	20	71	3
P-O	5306-752-1631	BOLT,MACHINE:FLANGE TO HUB 7521631 (19207)	A	EA	10	*	*	*	*	6	20	71	4
P-O	5310-584-5272	WASHER,LOCK:FLANGE TO HUB MS35338-48 (96906)	A	EA	10	*	*	*	*	6	20	71	5
X1		FLANGE,DRIVE: 8758278 (19207)	A		1						71	6	
P-O	2530-734-6993	GASKET: DRIVE FLANGE (COMPONENT OF GASKET SET, FSN 2520-734-6806 7346993 (19207)	A	EA	2	*	*	*	*	20	71	7	
P-O	2520-740-9550	SEAL,PLAIN,ENCASED:HUB BEARING, INNER FRONT 7409550 (19207)	A	EA	2	*	*	*	*	20	200	71	8
P-O	2520-740-9551	DEFLECTOR,DIRT AND MOISTURE: FRONT WHEL BRAKE DRUMS 7409551 (19207)	A	EA	2	*	*	*	*	8	20	71	9
P-O	2530-734-6982	SPINDLE:WHEEL BEARINGS 7346982 (19207)	A	EA	2	*	*	*	*	6	20	71	10
X1		SPINDLE: 8758276 (19207)			1						71	11	



AT 47210

Figure 71. Steering knuckle and related parts.