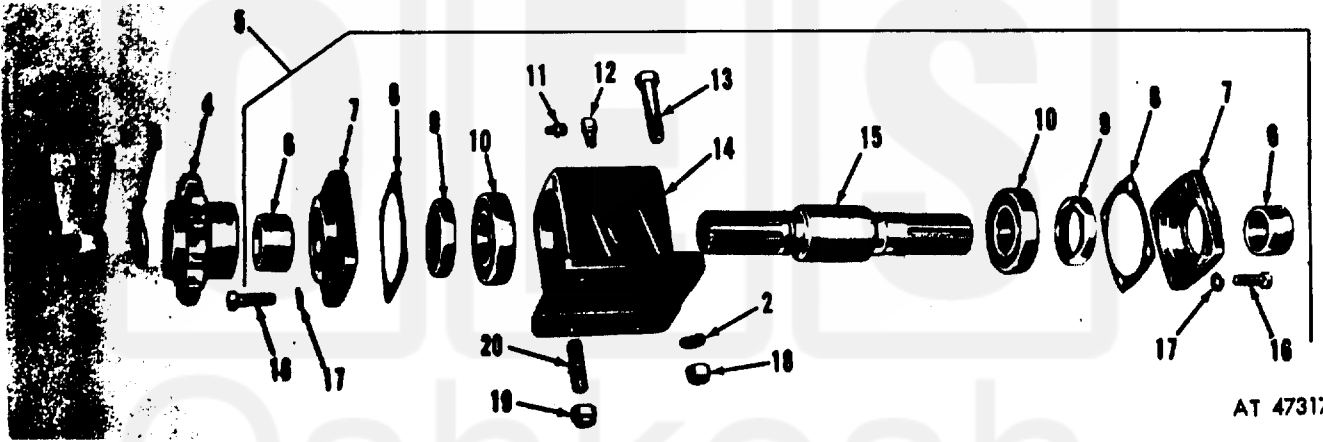


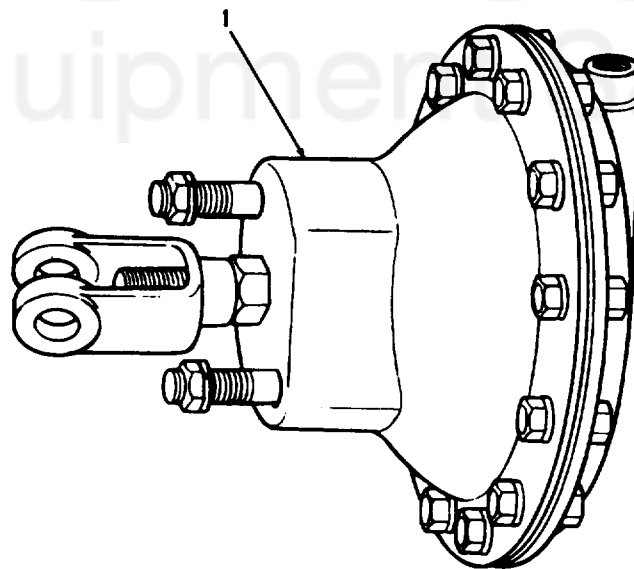
AT 47316

Figure 221. Rear winch side roller.



AT 47317

Figure 222. Winch drive shaft housing.



AT 47318

Figure 223. Winch air cylinder.