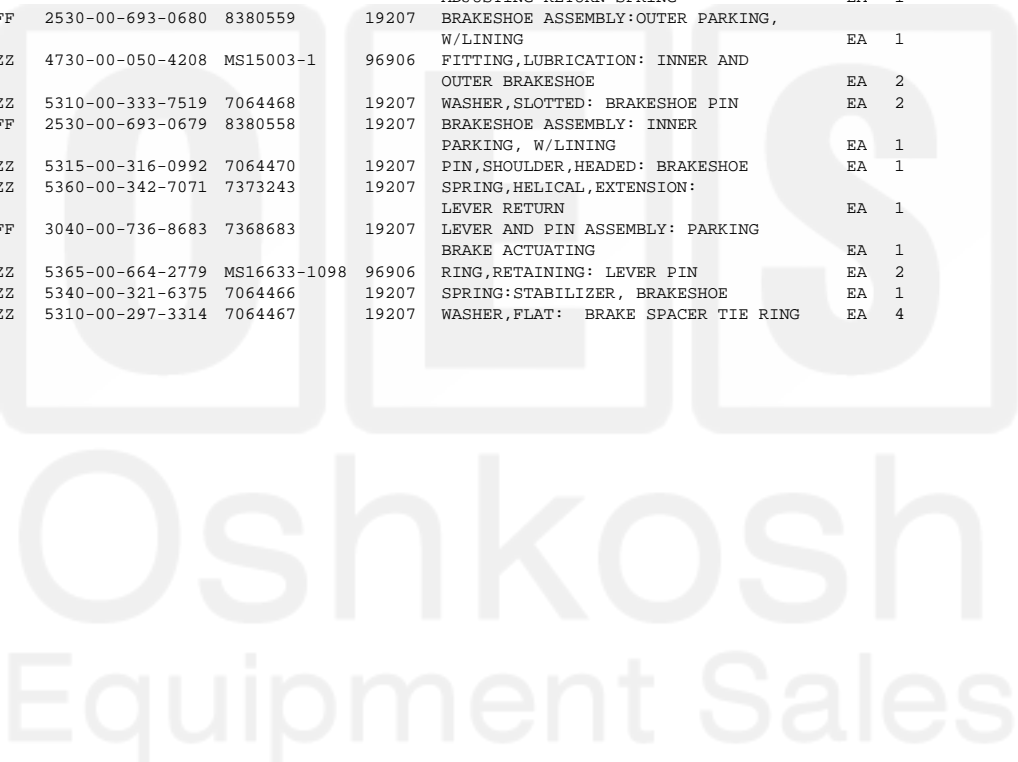
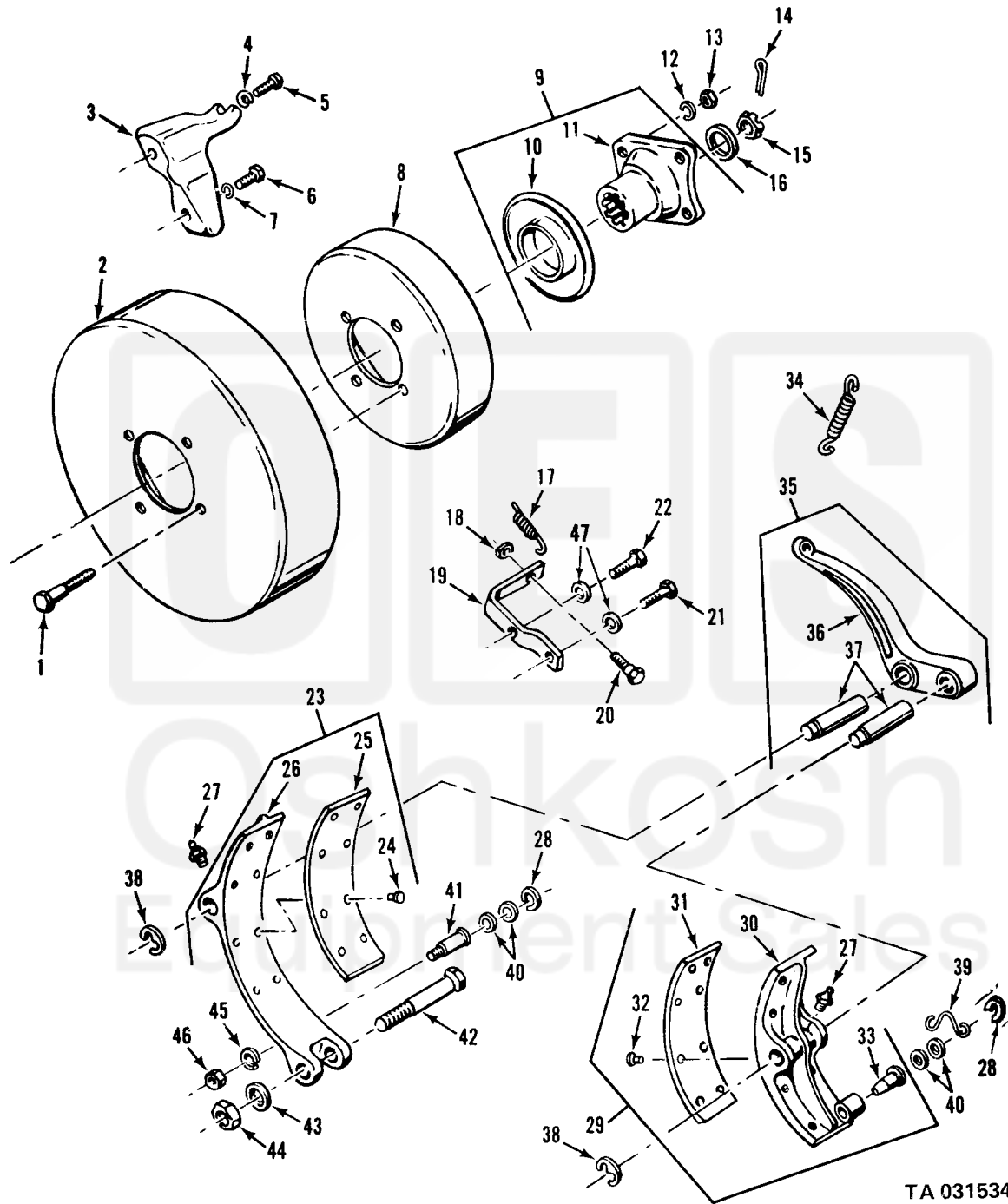


Current part is item (39) on diagram. Available at [www.oshkoshequipment.com](http://www.oshkoshequipment.com)

| (1)<br>(a)<br>FIG.<br>NO. | (2)<br>(b)<br>ITEM<br>NO. | (3)<br>SMR<br>CODE | (4)<br>NATIONAL<br>STOCK<br>NUMBER | (5)<br>(6)<br>PART<br>NUMBER | (6)<br>DESCRIPTION  | (7)<br>U/M | (8)<br>INC<br>IN<br>UNIT |
|---------------------------|---------------------------|--------------------|------------------------------------|------------------------------|---|------------|--------------------------|
| GROUP 12-BRAKES           |                           |                    |                                    |                              |   |            |                          |
| 1201-HAND BRAKES          |                           |                    |                                    |                              |   |            |                          |
| 111                       | 1                         | PAOZZ              | 5306-00-752-1014                   | 7521014                      | 19207 BOLT,RIBBED NECK:PARKING BRAKE DRUM                         | EA         | 4                        |
| 111                       | 2                         | PAOZZ              | 2530-00-752-1490                   | 7521490                      | 19207 BRAKE DRUM: PARKING BRAKE                                   | EA         | 1                        |
| 111                       | 8                         | XBOZZ              |                                    | 7529383                      | 19207 SHIELD,GREASE: PARKING BRAKE DRUM                           | EA         | 1                        |
| 111                       | 9                         | PAOOO              | 2520-00-752-1276                   | 7521276                      | 19207 FLANGE,COMPANION W/DEFLECTOR ASSEMBLY: TRANSFER REAR SHAFT  | EA         | 1                        |
| 111                       | 10                        | PAOZZ              | 2520-00-692-6080                   | 7521242                      | 19207 DEFLECTOR,DIRT AND LIQUID: COMPANION FLANGE                 | EA         | 1                        |
| 111                       | 11                        | PAOZZ              | 2520-00-134-5124                   | 8757674                      | 19207 FLANGE,COMPANION: BRAKE DRUM                                | EA         | 1                        |
| 111                       | 12                        | PAOZZ              | 5310-00-584-5272                   | MS35338-10                   | 96906 WASHER,LOCK: PARKING BRAKE DRUM                             | EA         | 4                        |
| 111                       | 13                        | PAOZZ              | 5310-00-732-0560                   | MS51968-14                   | 96906 NUT,PLAIN,HEXAGON: PARKING BRAKE DRUM                       | EA         | 4                        |
| 111                       | 14                        | PAOZZ              | 5315-00-013-7214                   | MS24665-359                  | 96906 PIN,COTTER: BRAKE DRUM FLANGE                               | EA         | 1                        |
| 111                       | 15                        | PAOZZ              | 5310-00-752-1234                   | 675762                       | 58275 NUT,SLOTTED: BRAKE DRUM FLANGE                              | EA         | 1                        |
| 111                       | 16                        | PAOZZ              | 5310-00-752-1235                   | 913701                       | 58275 WASHER,FLAT: BRAKE DRUM FLANGE                              | EA         | 1                        |
| 111                       | 17                        | PAOZZ              | 5360-00-693-0615                   | 7521284                      | 19207 SPRING,HELICAL,EXTENSION: BRAKE SHOE ADJUSTING ANGLE RETURN | EA         | 1                        |
| 111                       | 18                        | PAOZZ              | 5310-00-880-7745                   | MS51968-11                   | 96906 NUT,PLAIN,HEXAGON: BRAKE SHOE ADJUSTING SPRING SCREW        | EA         | 1                        |
| 111                       | 20                        | PAOZZ              | 5305-00-709-8542                   | MS90727-91                   | 96906 SCREW,CAP,HEXAGON HEAD: BRAKE SHOE ADJUSTING RETURN SPRING  | EA         | 1                        |
| 111                       | 23                        | PAOFF              | 2530-00-693-0680                   | 8380559                      | 19207 BRAKESHOE ASSEMBLY: OUTER PARKING, W/LINING                 | EA         | 1                        |
| 111                       | 27                        | PAOZZ              | 4730-00-050-4208                   | MS15003-1                    | 96906 FITTING,LUBRICATION: INNER AND OUTER BRAKESHOE              | EA         | 2                        |
| 111                       | 28                        | PAOZZ              | 5310-00-333-7519                   | 7064468                      | 19207 WASHER,SLOTTED: BRAKESHOE PIN                               | EA         | 2                        |
| 111                       | 29                        | PAOFF              | 2530-00-693-0679                   | 8380558                      | 19207 BRAKESHOE ASSEMBLY: INNER PARKING, W/LINING                 | EA         | 1                        |
| 111                       | 33                        | PAOZZ              | 5315-00-316-0992                   | 7064470                      | 19207 PIN,SHOULDER,HEADED: BRAKESHOE                              | EA         | 1                        |
| 111                       | 34                        | PAOZZ              | 5360-00-342-7071                   | 7373243                      | 19207 SPRING,HELICAL,EXTENSION: LEVER RETURN                      | EA         | 1                        |
| 111                       | 35                        | PAOFF              | 3040-00-736-8683                   | 7368683                      | 19207 LEVER AND PIN ASSEMBLY: PARKING BRAKE ACTUATING             | EA         | 1                        |
| 111                       | 38                        | PAOZZ              | 5365-00-664-2779                   | MS16633-1098                 | 96906 RING,RETAINING: LEVER PIN                                   | EA         | 2                        |
| 111                       | 39                        | PAOZZ              | 5340-00-321-6375                   | 7064466                      | 19207 SPRING:STABILIZER, BRAKESHOE                                | EA         | 1                        |
| 111                       | 40                        | PAOZZ              | 5310-00-297-3314                   | 7064467                      | 19207 WASHER,FLAT: BRAKE SPACER TIE RING                          | EA         | 4                        |



Current part is item (39) on diagram. Available at [www.oshkoshequipment.com](http://www.oshkoshequipment.com)



TA 031534

Figure 111. Parking brake drum and shoes.