

(1) SMR Code	(2) Federal Stock Number	(3) Description	(4) Unit of Meas.	(5) Qty	(6) 15-day Maintenance In Unit	(7) Organizational alw Illustration	(a) Figure No.	(b) Item No.
Reference number & mfg. code			Usable on code		(a) (b) (c) (d)	(a) (b) (c) (d)	(a) Figure No.	(b) Item No.
1201-HANDBRAKES-CONTINUED								
PAOZZ	5305-269-2806	SCREW,CAP,HEXAGON HEAD: 3/8-24UNF-2A X 13/8 3/8 IN.,CABLE CLAMP MS90726-63(96906)	A	EA	4	* * * *	103	5
PAOZZ	5310-809-4058	WASHER,FLAT: 0281 ID,CABLE CLAMP MS27183-10(96906)	A	EA	8	* * * *	103	6
PAOZZ	5305-068-0505	SCREW,CAP,HEXAGON HEAD: 1/4-28UNF-2A X 5/8 IN., CABLE CLAMP MS90726-5(96906)	A	EA	5	* * * *	103	7
PAOZZ	5310-959-7600	NUT,PLAIN: MS51922-5(96906)	A	EA	5	* * * *	103	8
PAOZZ	2530-740-9372	CONNECTING LINK,RIGID: CABLE CLAMP 7409372(19207)	A	EA	3	* * * *	103	9
PAOZZ	5340-282-7521	CLAMP,LOOP: PARKING BRAKE CABLE MS21333-40 (96906)	A	EA	1	* * * *	103	10
PAOZZ	5340-740-9366	CLAMP: PARKING BRAKE CABLE (USE STRAP,FSN 5340-512- 1948 WHEN STOCK IS EXHAUSTED) 7409366(19207)	A	EA	2	* * * *	103	11
PAOZZ	5340-512-1948	STRAP,RETAINING: PARKING BRAKE CABLE 16027R1(31007)3	A	EA	2	* * * *	103	11
PAOZZ	5310-740-9369	NUT,SINGLE BALL SEAT: CABLE END 7409369(19207)	A	EA	1	* * * *	103	12
PAOZZ	2530-052-3683	CLAMP,PARKING BRAKE: BRAKE CABLE 10883129(19207)	A	EA	2	* * * *	103	13
PAOZZ	2530-741-3485	BRACLET: CABLE CLAMP 7413485(19207)	A	EA	1	* * * *	103	14
PAOZZ	2530-740-9365	CABLE: HANDBRAKE 7409365(19207)	A	EA	1	* * * *	103	15
PAOZZ	2530-052-3687	PLATE,WEAR,PARKING: PARKING BRAKE CABLE 10883131(19207)	A	EA	1	* * * *	103	16
PAOZZ	2530-033-6029	DRUM,BRAKE: PARKING 7409367(19207)	A	EA	1	* * * *	104	1
PAOZZ	2530-563-5531	BRACKET: BRAKE DRUM ASSEMBLY 7409363(19207)	A	EA	1	* * * *	104	2
PAOZZ	5360-693-0615	SPRING,HELICAL EXTENSION: RETURN OUTER SHOE 7521284(19207)	A	EA	1	* * * *	104	3
PAOZZ	5310-880-7745	NUT,PLAIN,HEXAGON: BRACKET MS51968-11(96906)	A	EA	1	* * * *	104	4
PAOZZ	5305-206-0932	SCREW,SHOULDER: ADJUSTING SHOE 7064469(19207)	A	EA	1	* * * *	104	5

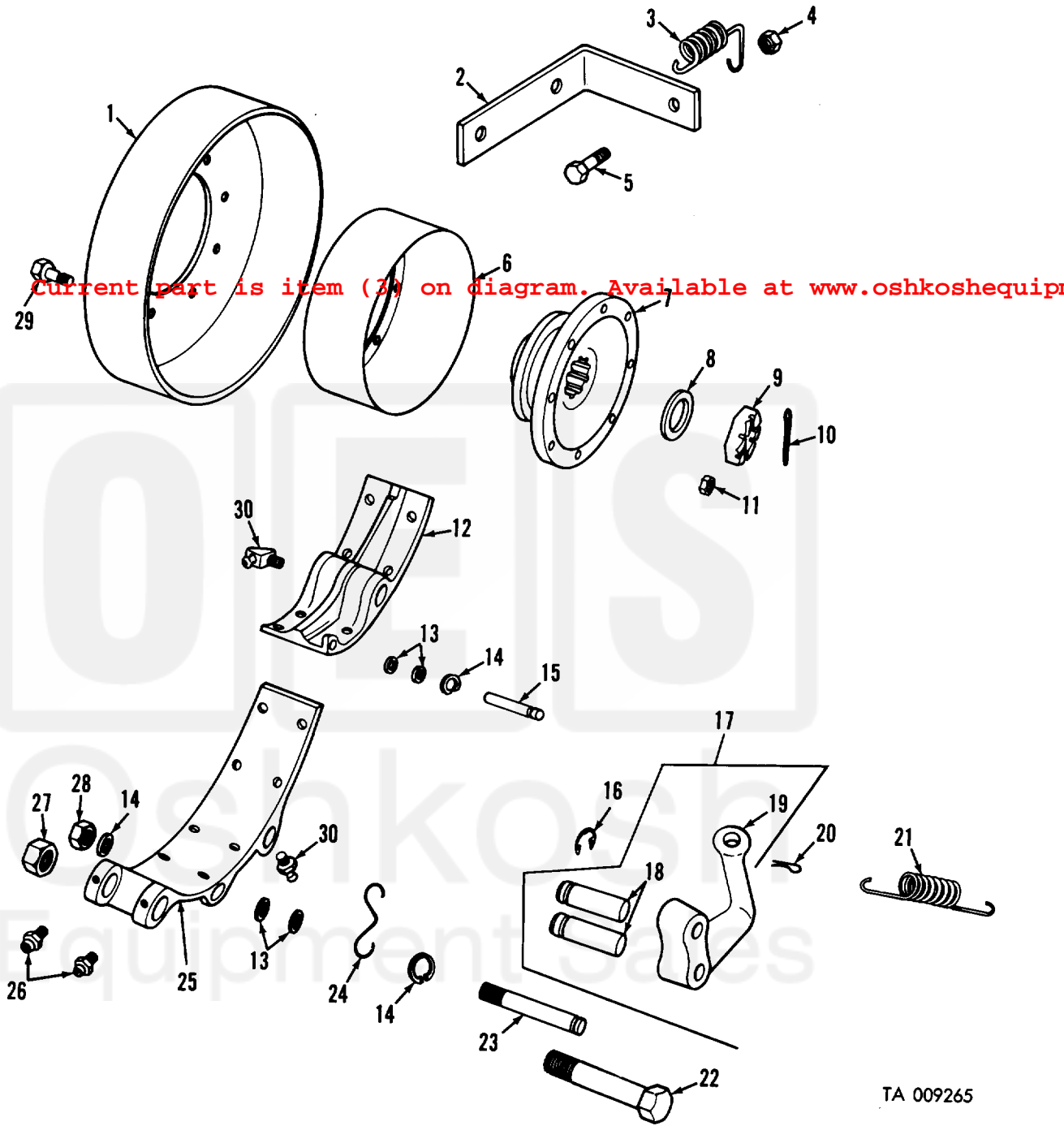


Figure 104. Parking brake drum and shoe.