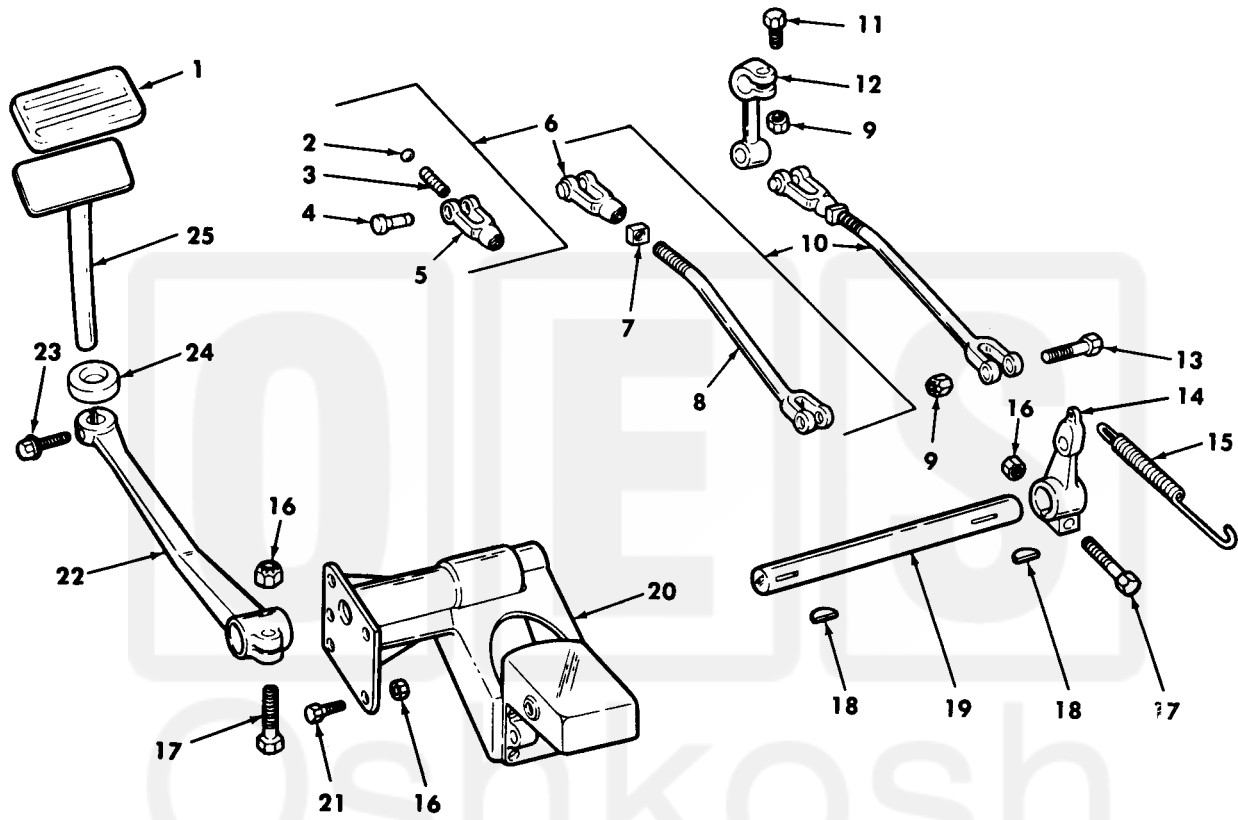


Current part is item (15,1) on diagram. Available at www.oshkoshequipment.com

(1) (a) FIG. NO.	(2) (b) ITEM NO.	(3) SMR CODE	(4) NATIONAL STOCK NUMBER	(5) PART NUMBER	(6) DESCRIPTION	(7) U/M	(8) INC IN UNIT
GROUP 02 - CLUTCH							
0202 - CLUTCH RELEASE MECHANISM							
14	1	PAOZZ	2540-00-752-0971	7520971	19207 PAD,PEDAL:RUBBER	EA	1
14	2	PAOZZ	3110-00-943-6113	MS19060-6	96906 BEARING	EA	1
14	3	PAOZZ	5360-00-692-6059	7373229	19207 SPRING,HELICAL	EA	1
14	4	PAOZZ	5315-00-737-3224	7373224	19207 PIN: CLEVIS	EA	1
14	5	PAOZZ	5340-00-739-7542	7397542	19207 CLEVIS	EA	1
14	6	PAOZZ	5340-00-692-6060	7373234	19207 CLEVIS AND PIN ASSEMBLY: ADJUSTABLE, CONTROL ROD ASSEMBLY	EA	1
14	7	PAOZZ	5310-00-732-0560	MS51968-14	96906 NUT	EA	1
14	8	XAOZZ		7373352	19207 ROD	EA	1
14	9	PAOZZ	5310-00-067-9507	MS51922-37	96906 NUT,SELF-LOCKING	EA	2
14	10	PAOZZ	2540-00-752-0977	7520977	19207 ROD ASSEMBLY: W/YOKE ASSEMBLY	EA	1
14	11	PAOZZ	5305-00-716-8183	MS90726-116	96906 SCREW,CAP,HEXAGON HEAD	EA	1
14	12	PAOZZ	2520-00-752-0969	7520969	19207 LEVER,REMOTE CONTROL	EA	1
14	13	PAOZZ	5305-00-226-7768	MS90726-115	96906 SCREW,CAP,HEXAGON HEAD	EA	1
14	14	PAOZZ	2520-00-752-0970	720970	19207 LEVER,CLUTCH SHAFT	EA	1
14	15	PAOZZ	5360-00-324-1047	7520981	19207 SPRING,HELICAL,EXTENSION: RETURN CLUTCH	EA	1
14	16	PAOZZ	5305-00-269-2809	MS51922-21	96906 NUT,SELF-LOCKING	EA	7
14	17	PAOZZ	2520-00-752-0968	MS90726-66	96906 SCREW,CAP,HEXAGON HEAD	EA	2
14	18	PAOZZ	5315-00-616-5529	MS35756-16	96906 KEY,WOODRUFF	EA	2
14	19	PAOZZ	2520-00-752-0978	7520978	19207 SHAFT:PEDAL LEVER	EA	1
14	20	PAOZZ	2520-00-752-0982	7520982	19207 SUPPORT: PEDAL LEVER SHAFT	EA	1
14	21	PAOZZ	5305-00-269-3213	MS90725-62	96906 SCREW,CAP,HEXAGON HEAD	EA	5
14	22	PAOZZ	2520-00-752-0968	7520968	19207 LEVER,REMOTE CONTROL	EA	1
14	23	PAOZZ	5306-00-696-5290	455171	24617 BOLT,ASSEMBLED WASHER	EA	1
14	24	PAOZZ	5340-00-752-0964	7520964	19207 BUMPER,RUBBER	EA	1
14	25	PAOZZ	2520-00-752-0975	7520975	19207 PEDAL	EA	1



Current part is item (15,1) on diagram. Available at www.oshkoshequipment.com



TA 096390

Figure 14. Clutch pedal and linkage

Current part is item (15,1) on diagram. Available at www.oshkoshequipment.com

(1) (a) FIG. NO.	(2) (b) ITEM NO.	(3) SMR CODE	(4) NATIONAL STOCK NUMBER	(5) PART NUMBER	(6) DESCRIPTION	(7) U/M	(8) INC IN UNIT
1206 - MECHANICAL BRAKE SYSTEM							
120	1	PAOZZ	5360-00-324-1047	7520981	19207 SPRING, HELICAL, EXTENSION: RETURN, FOOT BRAKE LEVER	EA	1
120	2	PAOZZ	5315-00-839-5822	MS24665-353	96906 PIN, COTTER	EA	1
120	3	PAOZZ	5315-00-753-9311	7539311	19207 PIN, STRAIGHT, HEADED: MASTER CYLINDER TO BRAKE PEDAL LEVER	EA	1
120	4	PAOZZ	2540-00-753-9248	7539248	19207 LEVER, REMOTE CONTROL: PELAL	EA	1
120	5	PAOZZ	5305-00-269-3214	MS90725-64	96906 SCREW, ASSEMBLED WASHER	EA	1
120	6	PAOZZ	5310-00-543-2705	MS35338-27	96906 WASHER, LOCK	EA	1
120	7	PAOZZ	2520-00-752-0975	7520975	19207 PEDAL: BRAKE	EA	1
120	8	PAOZZ	5340-00-752-0964	7520964	19207 BUMPER, RUBBER: PEDAL LEVER	EA	1
120	9	PAOZZ	2540-00-752-0971	7520971	19207 PAD, PEDAL: BRAKE	EA	1
120	10	PAOZZ	4730-00-050-4208	MS15003-1	96906 FITTING, LUBRICATION: BRAKE PEDAL LEVER	EA	1



Current part is item (15,1) on diagram. Available at www.oshkoshequipment.com

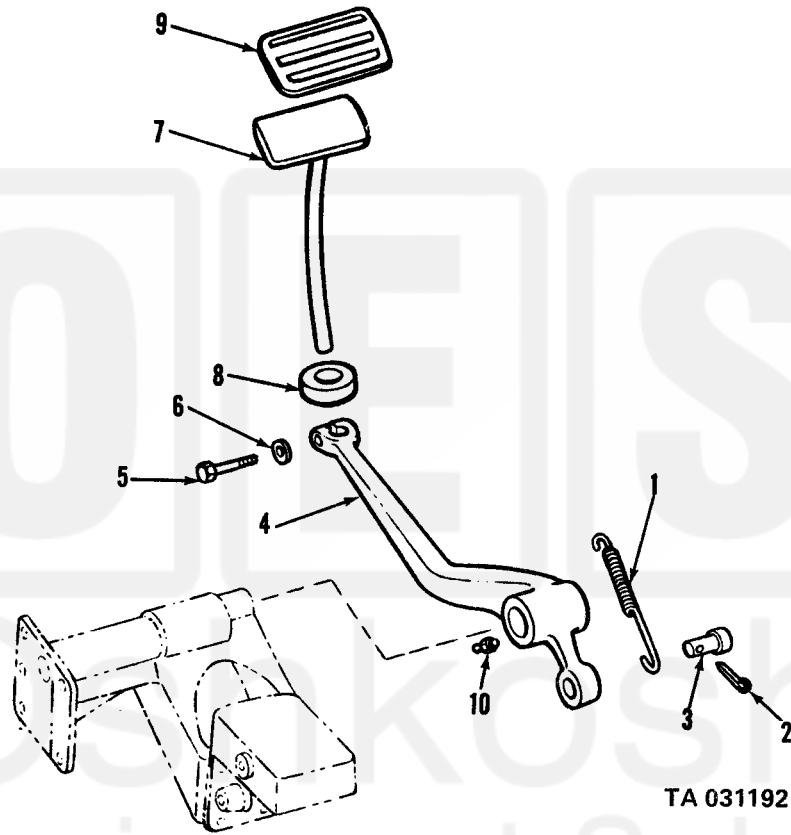


Figure 120. Brake pedal linkage.