

Current part is item (9) on diagram. Available at www.oshkoshequipment.com

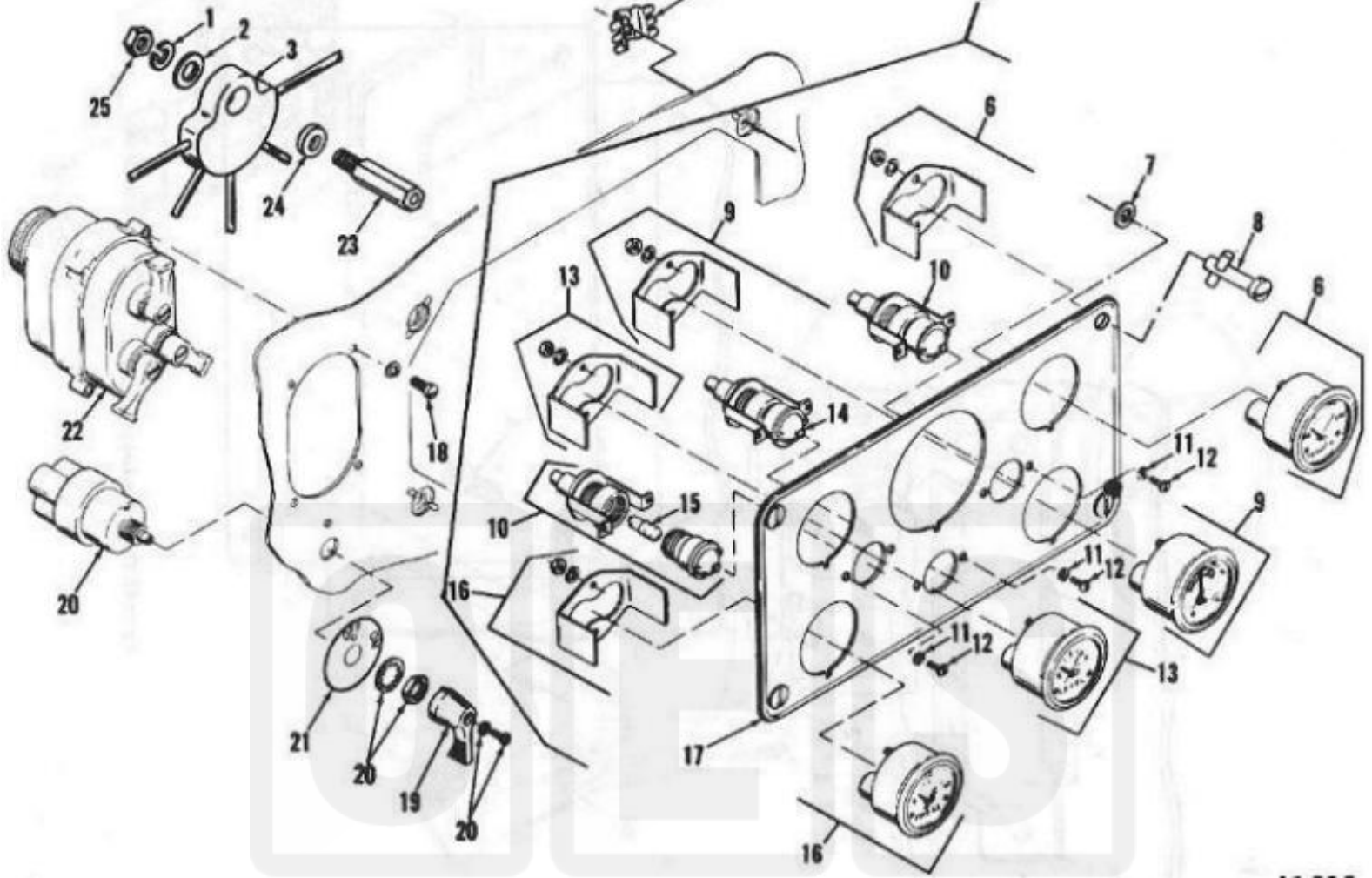


Figure 40: Instrument Cluster, Light Switch, and Ignition Switch

(1) SMR code	(2) Federal Stock Number	(3) Description Reference Number & Mfg. Code Usable on Code	(4) Qty Unit of meas	(5) inc in unit	(6) 30-day DS maint. allowance			(7) 30-day GS maint. allowance			(8) 1-yr alw per 100 equip cntgcy	(9) Depot maint alw per 100 equip	(10) Illustration		
					(a) 1-20	(b) 21-50	(c) 51-100	(a) 1-20	(b) 21-50	(c) 51-100			(a) Figure No.	(b) Item No.	
		0607 INSTRUMENT PANEL Continued													
PO	6625-321-6365	INDICATOR, WITH CLAMP, BATTERY GENERATOR MS24532-2 (96906)	EA	1	*	*	*	*	*	*			40	9	
PO	6210-699-9458	LAMP, PANEL ASSEMBLY 8376500 (19207)	EA	2	*	*	*	*	*	*			40	10	
PO	5310-013-8530	WASHER, LOCK, PANEL LIGHTS MOUNTING MS35338-38 (96906)	EA	6	*	*	*	*	*	*			40	11	
PO	5310-550-1130	SCREW, MACHINE, PANEL LIGHTS MOUNTING MS35223-41 (96906)	EA	6	*	*	*	*	*	*			40	12	

Current part is item (9) on diagram. Available at www.oshkoshequipment.com