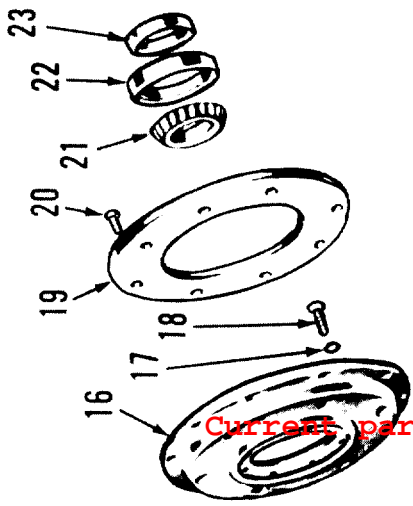


(1) SMR Code	(2) Federal Stock Number	(3) Description	(4) Unit of Meas.	(5) Qty In	(6) 15-day Maintenance allowance	(7) Organizational Illustration	(a) Figure No.	(b) Item No.				
Reference number & mfg. code			Usable on code				(a) 1-5	(b) 6-20	(c) 21-50	(d) 51-100	(a) Figure No.	(b) Item No.
		1311-WHEEL ASSEMBLY-CONTINUED										
PAOZZ	5306-740-9555	BOLT, RIBBED SHOULDER: FORWARD REAR AND REAR REAR AXLE WHEEL HUB MS51946-6 (96906)	BG,BF,CA CB,DA,DB EA,EB,EC FA,FB,RA ZA,HA,JA IB,IC,ID	EA	10	* * * *	123	15				
PAOZZ	2530-740-9388	PLATE, BACKING, BRAKE: REAR WHEEL DRUM 7979323 (19207)	A	EA	4	* * *	123	16				
PAOZZ	5310-584-5272	WASHER, LOCK: BACKING PLATE MS35338-48 (96906)	A	EA	80	* * *	123	17				
PAOZZ	5306-930-5248	BOLT, MACHINE: BACKING PLATE 10896726-1 (19207)	A	EA	80	* * *	123	18				
PAOZZ	2530-740-9556	DEFLECTOR, DIRT AND MOISTURE: BACKING PLATE 7979322 (19207)	A	EA	4	* * *	123	19				
PAOZZ	5306-740-9389	BOLT, RIBBED, SHOULDER: BRAKE DRUM ADAPTER 7409389 (19207)	A	EA	40	* * *	123	20				
PAOZZ	3110-198-1468	CONE AND ROLLERS, TAPERED: 7409349 (19207)	A	EA	4	* * *	123	21				
PAOZZ	2520-740-9550	SEAL, PLAIN, ENCASED: 7409550 (19207)	A	EA	4	* * *	123	22				
PAOZZ	2530-740-9553	WIPER: FORWARD REAR AXLE (2), REAR REAR AXLE (2) 1199F1436 (78500)		EA	4	* * *	123	23				
		1313-TIRES AND TUBES										
PAOFF	2610-540-4725	TIRE, PNEUMATIC: TRUCK AND BUS, 12.00-20, 14 PLY MS35388-23 (96906)	EF,JA,3G	EA	10	* * *	124	1				
PAOFF	2610-262-8653	TIRE, PNEUMATIC: TRUCK AND BUS 11.00 - 20 MS35388-21 (96906)	ALL MODELS EXCEPT BE,IA,LA,MA	EA	10	* * *	124	1				
PAOFF	2610-204-2545	TIRE, PNEUMATIC: TRUCK AND BUS, 14.00 - 20 MS35388-25 (96906)	BE,IA,LA,MA	EA	10	* * *	124	1				
PAOZZ	2610-051-9464	INNERTUBE, PNEUMATIC TIRE: TRUCK AND BUS, 14.00 - 20 MS35392-18 (96906)	BE,IA,LA,MA	EA	10	* * *	124	2				
PAOZZ	2610-051-9454	INNERTUBE, PNEUMATIC TIRE: TRUCK AND BUS, 12.00 - 20 MS35392-16 (96906)	JA,EF,3G	EA	10	* * *	124	2				
PAOZZ	2610-051-9450	INNER TUBE, PNEUMATIC TIRE: TRUCK AND BUS, 11.00 - 20 MS35392-15 (96906)	BG,BF,DA,DB EA,EB,EC, RA,ZA,HA,KB BD,IA,IB,IC,ID	EA	10	* * *	124	2				

AT 47234



Current part is item (23) on diagram. Available at www.oshkoshequip.com

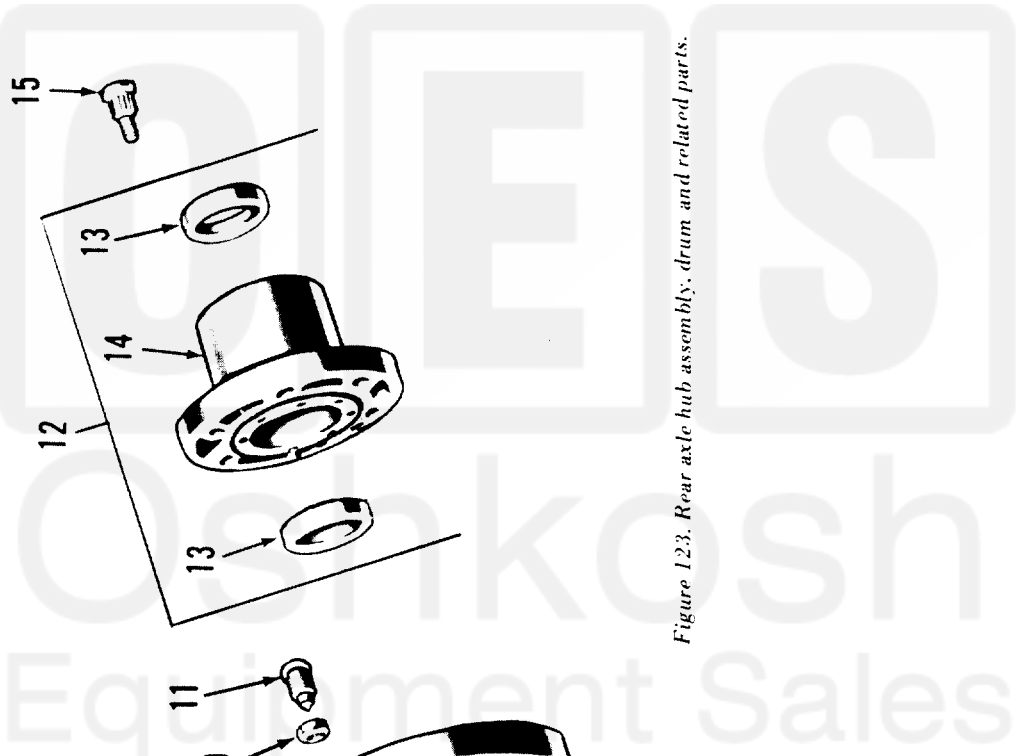
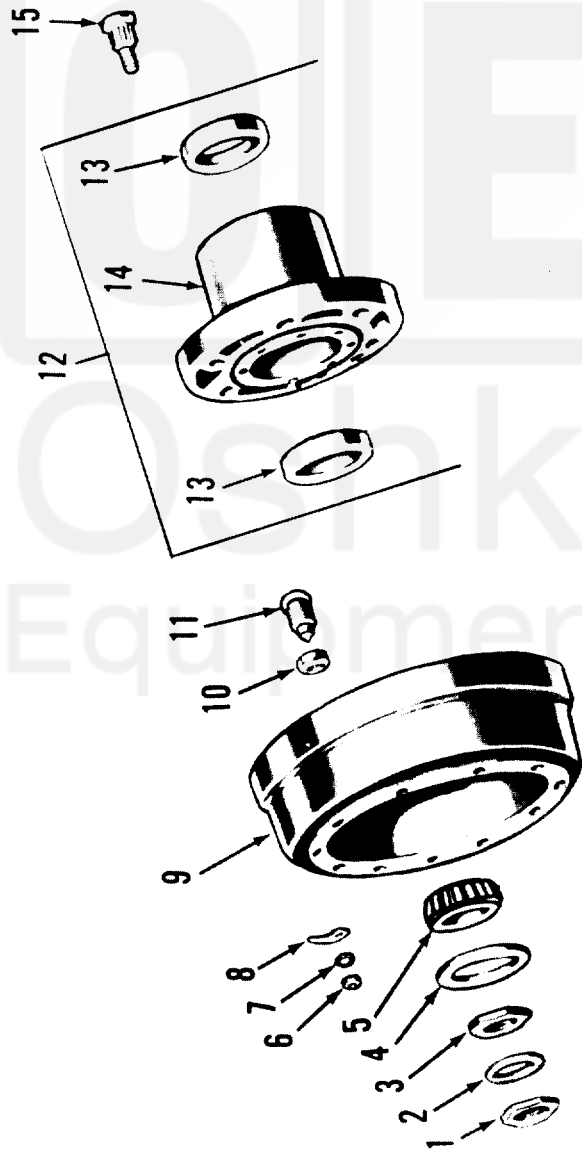


Figure 123. Rear axle hub assembly, drum and related parts.



Current part is item (23) on diagram. Available at www.oshkoshequip.com