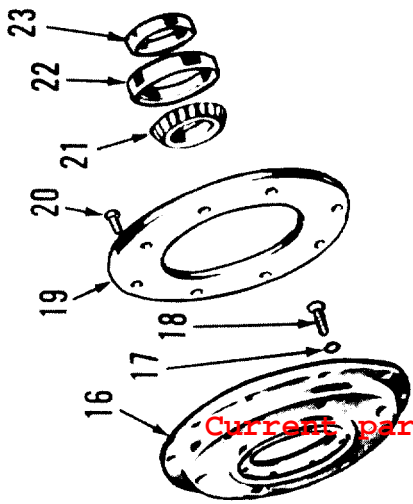


(1) SMR Code	(2) Federal Stock Number	(3) Description	(4) Unit of Meas.	(5) Qty In Unit	(6) 15-day Maintenance allow	(7) Illustration No.	(a) 1-5	(b) 6-20	(c) 21-50	(d) 51-100	(a) Figure No.	(b) Item No.
Current part is item (11) on diagram. Available at www.oshkoshequipment.com												
		Reference number & mfg. code		Usable on code								
PAOZZ	2530-741-3447	1311-WHEEL ASSEMBLY-CONTINUED SEAL, PLAIN, ENCASED: FORWARD REAR (2), REAR REAR AXLE (2) A1205R668 (78500)	A	EA	4	*	*	*	*	*	123	4
PAOZZ	3110-100-0649	CONE AND ROLLERS, TAPERED: 121468 (24617)	A	EA	4	*	*	*	*	*	123	5
PAOZZ	5310-880-7745	NUT, PLAIN, HEXAGON: MS51968-11 (96906)	A	EA	4	*	*	*	*	*	123	6
PAOZZ	5310-209-0965	WASHER, LOCK: MS35338-47 (96906)	A	EA	4	*	*	*	*	*	123	7
PAOZZ	2530-211-6129	COVER, ACCESS: HUB BEARING 7979315 (19207)	A	EA	4	*	*	*	*	*	123	8
PAOZZ	2530-093-5597	BRAKE. DRUM: 7409394 (19207)	A	EA	4	*	*	*	*	*	123	9
PAOZZ	5310-880-2005	NUT, PLAIN, SINGLE BALL: FORWARD REAR AND REAR REAR OUTER WHEEL HUB STUD MS51983-4 (96906)	BG,BF,CA CB,DA,DB EA,EB,EC FA,FB,RA ZA,HA,HA IA,IB,IC ID	EA	10	*	*	*	*	*	123	10
PAOZZ	2530-359-1162	NUT, CAP, DUAL WHEEL: FORWARD REAR AND REAR REAR AXLE INNER WHEEL HUB STUD MS53068-2 (96906)	BG,BF,CA CB,DA,DB EA,EB,EC FA,FB,RA ZA,BE,IA BD,IA,IB IC, ID	EA	10	*	*	*	*	*	123	11
PAOZZ	2530-693-1029	NUT, CAP, DUAL WHEEL: FORWARD REAR AND REAR REAR AXLE INNER WHEEL HUB STUD MS53068-1 (96906)	BG,BF,CA CB,DA,DB EA,EB,EC FA,FB,EC FA,FB,RA ZA,HA,BE IA,BD,IA IB,IC, ID	EA	10	*	*	*	*	*	123	11
PAOZZ	2530-740-9395	HUB: W/BEARING CUPS ASSEMBLY 7409395 (19207)	A	EA	4	*	*	*	*	*	123	12
PAOZZ	3110-142-4390	CUP, TAPERED ROLLER BEARING: 1192542 (12204)		EA	2	*	*	*	*	*	123	13
XAOZZ		HUB: 7979324 (19207)			1						123	14

AT 47234



Current part is item (11) on diagram. Available at www.oshkoshequip.com

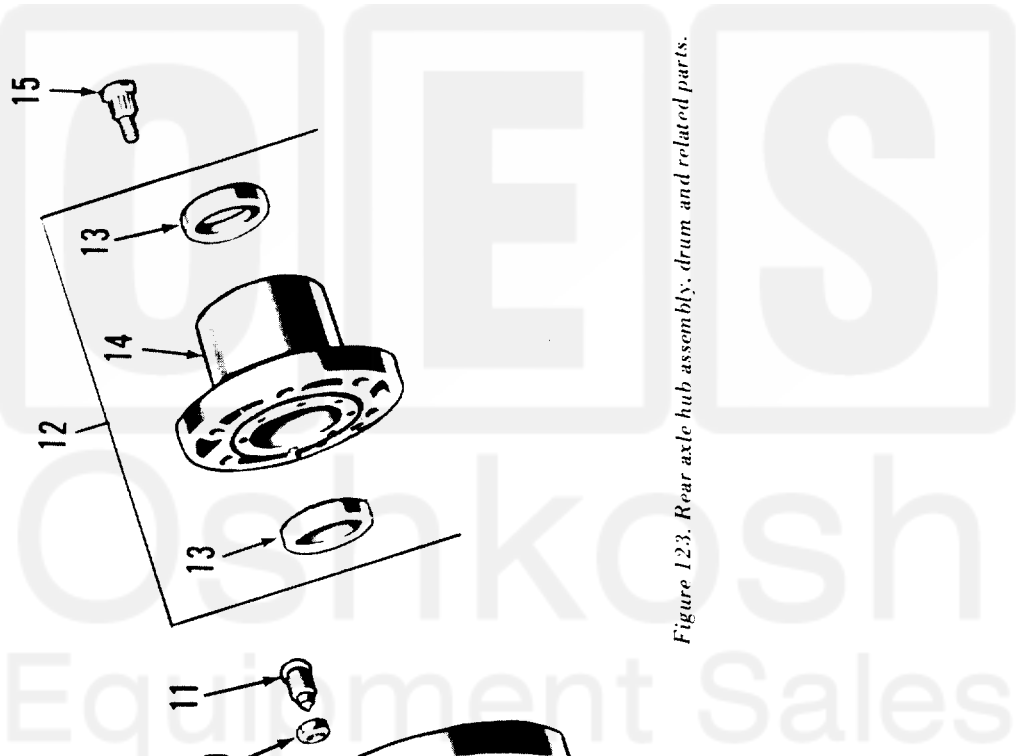
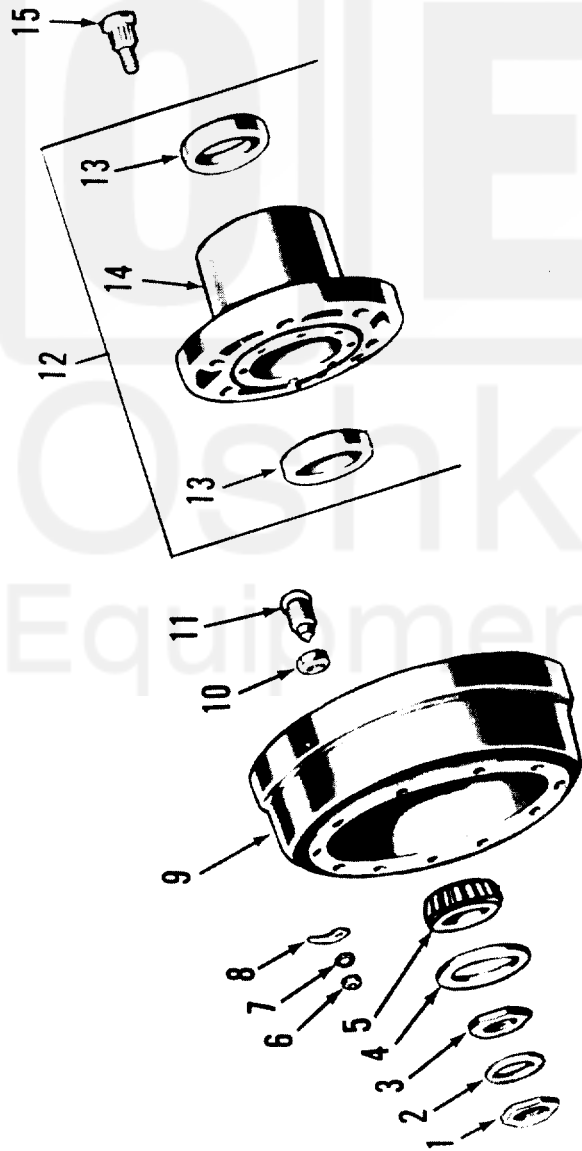


Figure 123. Rear axle hub assembly, drum and related parts.



Current part is item (11) on diagram. Available at www.oshkoshequip.com