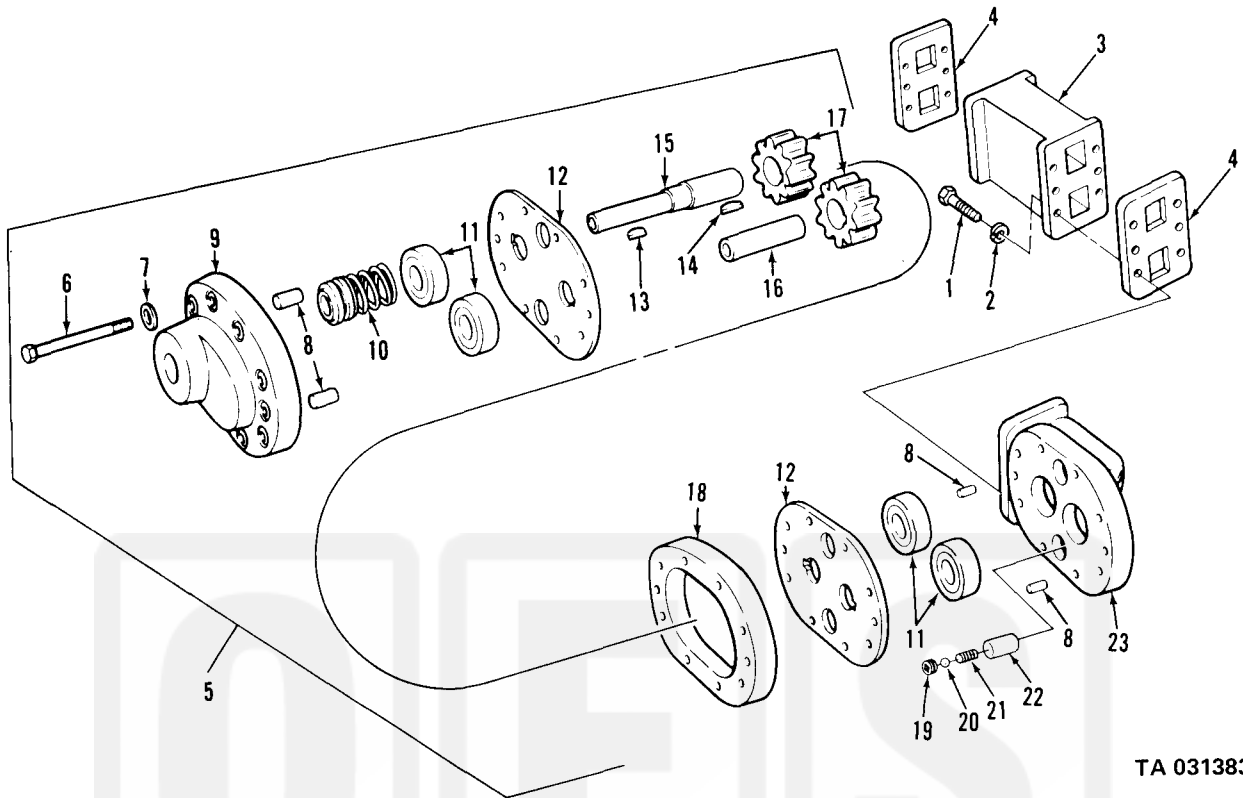


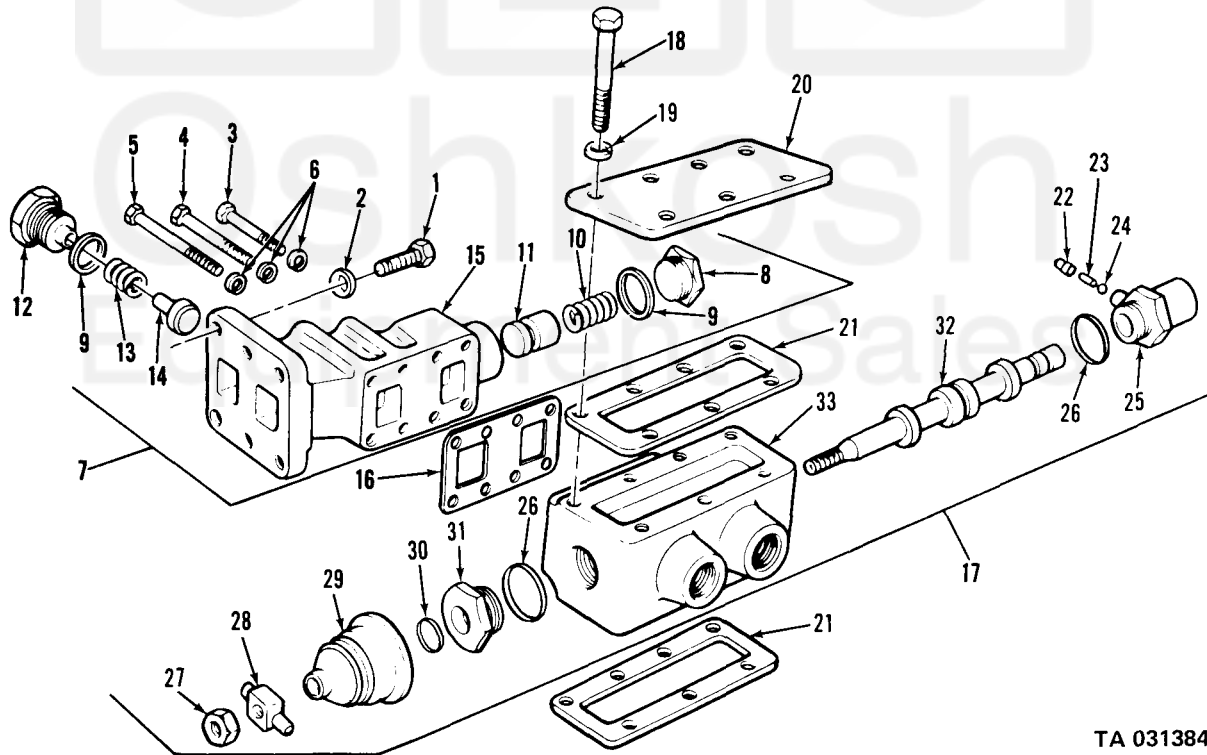
(1)	(2)	(3)	(4)	(5)	(6)	(7)	(8)
ILLUS.							QTY
(a)	(b)	SMR	NATIONAL	PART	DESCRIPTION	U/M	INC
FIG.	ITEM	CODE	STOCK	NUMBER	FSCM		IN
NO.	NO.		NUMBER		USABLE ON CODE		UNIT
					2001-HOIST,CAPSTAN,WINDLASS,CRANE OR WINCH ASSEMBLY(CONT'D)		
288	2	PAFZZ	5310-00-584-5272	MS35338-48	96906 WASHER, LOCK (M47,M59,M342,M342A2)	EA	6
288	3	PAFZZ	5305-00-269-3219	MS90725-69	96906 SCREW,CAP,HEXAGON HEAD (M47,M59,M342,M342A2)	EA	4
288	4	PAFZZ	5305-00-269-3228	MS90725-78	96906 SCREW,CAP,HEXAGON HEAD (M47,M59,M342,M342A2)	EA	2
288	5	PAFZZ	5305-00-042-7128	427128	21450 SCREW,CAP,HEXAGON HEAD (M47,M59,M342A2)	EA	2
288	6	PAFZZ	5310-00-637-9541	MS35338-46	96906 WASHER, LOCK(M47,M59, M342,M342A2)	EA	8
288	7	XBFFF		7169075	19207 ADAPTER ASSEMBLY(SAME AS ADAPTER,P/N8758393(19207), EXCEPT WHERE INDIVIDUAL COMPONENTS ARE ANNOTATED)(M47,M59)	EA	1
288	7	XBFFF		8758393	19207 ADAPTER ASSEMBLY(SAME AS ADAPTER,P/N7169075(19207), EXCEPT WHERE INDIVIDUAL COMPONENTS ARE ANNOTATED)(342,M342A2)	EA	1
288	8	PAFZZ	5365-00-740-9079	7409079	19207 PLUG,MACHINE THREAD:CONTROL VALVE ADAPTER TOP,HYDRAULIC HOIST,DUMP BODY(M47,M59, M342,M342A2)	EA	1
288	9	XAFZZ		7409080	19207 SPACER,RING(M47,M59, M342,M342A2)	EA	1
288	10	PAFZZ	5360-00-999-6470	7409078	19207 SPRING,HELICAL,COMPRESSION: CONTROL VALVE ADAPTER TOP PLUNGER POPPET,HYDRAULIC HOIST,DUMP BODY(M47,M59,M342,M342A2)	EA	1
288	11	PAFZZ	2520-00-740-9077	7409077	19207 PLUNGER,PUMP ADAPTER:HOIST PUMP ADAPTER(M47,M59,M342,M342A2)	EA	1
288	12	PAFZZ	5365-00-740-9057	7409057	19207 PLUG,MACHINE THREAD (M47,M59,M342,M342A2)	EA	1
288	13	XAFZZ		8330242	19207 SPRING(M47,M59,M342,M342A2)	EA	1
288	14	PAFZZ	2520-00-740-9056	7409056	19207 PLUNGER,CYLINDER: CONTROL VALVE ADAPTER SIDE,HYDRAULIC HOIST, DUMP BODY(M47,M59,M342,M342A2)	EA	1
288	15	XAFZZ		7409076	19207 ADAPTER(USED ON ADAPTER, P/N7169075(19207,ONLY) (M47,M59)	EA	1
288	15	XAFZZ		8758394	19207 ADAPTER(USED ON ADAPTER, P/N 8758393(19207),ONLY) (M342,M342A2)	EA	1
288	16	PAFZZ	5330-00-740-9081	7409081	19207 GASKET,PUMP ADAPTER:DUMP BODY HYDRAULIC HOIST CONTROL VALVE TO ADAPTER(M47,M59,M342,M342A2)	EA	1

Current part is item (16) on diagram. Available at [www.oshkoshequipment.com](http://www.oshkoshequipment.com)



TA 031383

Figure 287. Hydraulic hoist pump assembly.



TA 031384

Figure 288. Hydraulic hoist control valve and adapter.

Current part is item (16) on diagram. Available at [www.oshkoshequipment.com](http://www.oshkoshequipment.com)