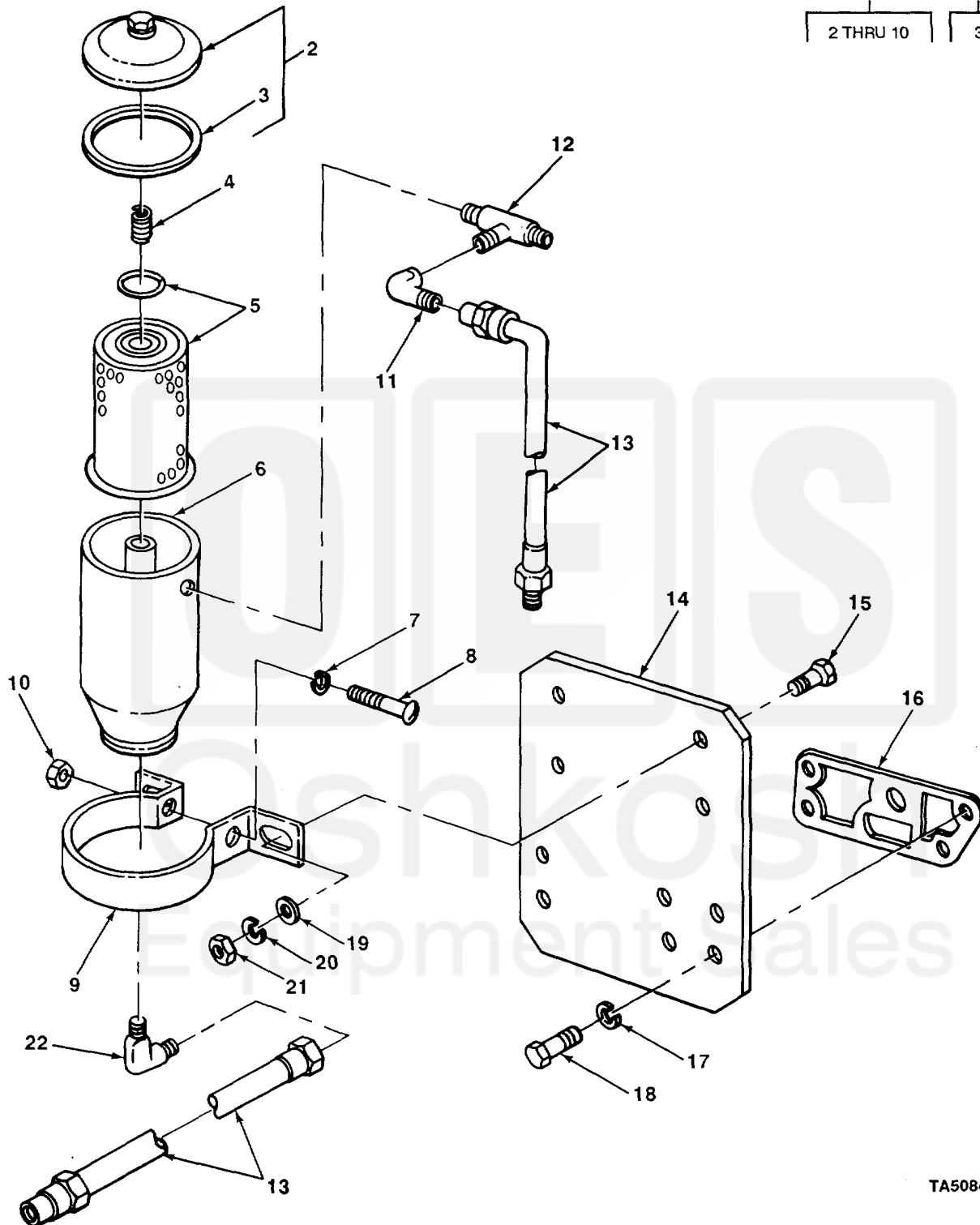
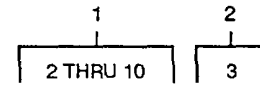


SECTION II

TM 11-3930-618-24PC01



TA508477

FIGURE 16. OIL FILTER.

SECTION II				TM 11-3930-618-24PC01	
(1)	(2)	(3)	(4)	(5)	(6)
ITEM	SMR		PART		
NO	CODE	CAGEC	NUMBER	DESCRIPTION AND USABLE ON CODES (UOC)	QTY
GROUP 0106 ENGINE LUBRICATION SYSTEM					
FIG. 16 OIL FILTER					
*1	PAOOO	64829	MS35343-1	FILTER, FLUID OIL.....	1
2	PAOZZ	73370	5241	COVER FLUID FILTER.....	1
3	PAOZZ	96906	MS35347-1	GASKET.....	1
4	PAOZZ	73370	11583	SPRING, HELICAL, COMP.....	1
5	PAOZZ	73370	C21P	FILTER ELEMENT, FLUI.....	1
6	PAOZZ	73370	5310	FILTER BODY, FLUID.....	1
*7	XBOZZ	73370	10112	WASHER, LOCK STRAP.....	2
*8	XBOZZ	73370	12420	SCREW, MACHINE STRAP MTG.....	2
9	PAOZZ	73370	102153	STRAP.....	2
10	PAOZZ	73370	12384	NUT, PLAIN, SQUARE STRAP.....	2
11	PAOZZ	79470	3400X2	ELBOW, PIPE LINE TO TEE.....	1
12	PAOZZ	79470	3750X2	TEE, PIPE LINE TO FILTER.....	1
*13	PAOZZ	6N299	4251884	LINE ASSEMBLY FILTER TO ENGINE.....	2
*14	XBOZZ	6N299	4514437	BRACKET, ENGINE ACCE OIL FILTER MTG.....	1
15	PAOZZ	96906	MS90725-34	SCREW, CAP, HEXAGON OIL FILTER MTG.....	4
*16	KFOZZ	09367	4511964	GASKET BRACKET TO CYLINDER BLOCK PART OF KIT P/N 45166522.....	1
17	PAOZZ	96906	MS35338-48	WASHER, LOCK BRACKET MTG.....	4
18	PAOZZ	96906	MS18154-113	SCREW, CAP, HEXAGON H BRACKET MTG.....	4
19	PAOZZ	96906	MS27183-12	WASHER, FLAT OIL FILTER MTG.....	4
20	PAOZZ	96906	MS35338-45	WASHER, LOCK OIL FILTER MTG.....	4
21	PAOZZ	96906	MS51967-6	NUT, PLAIN, HEXAGON OIL FILTER MTG.....	4
22	PAOZZ	79470	W400X5	ELBOW, PIPE TO TUBE LINE TO FILTER.....	2

END OF FIGURE

