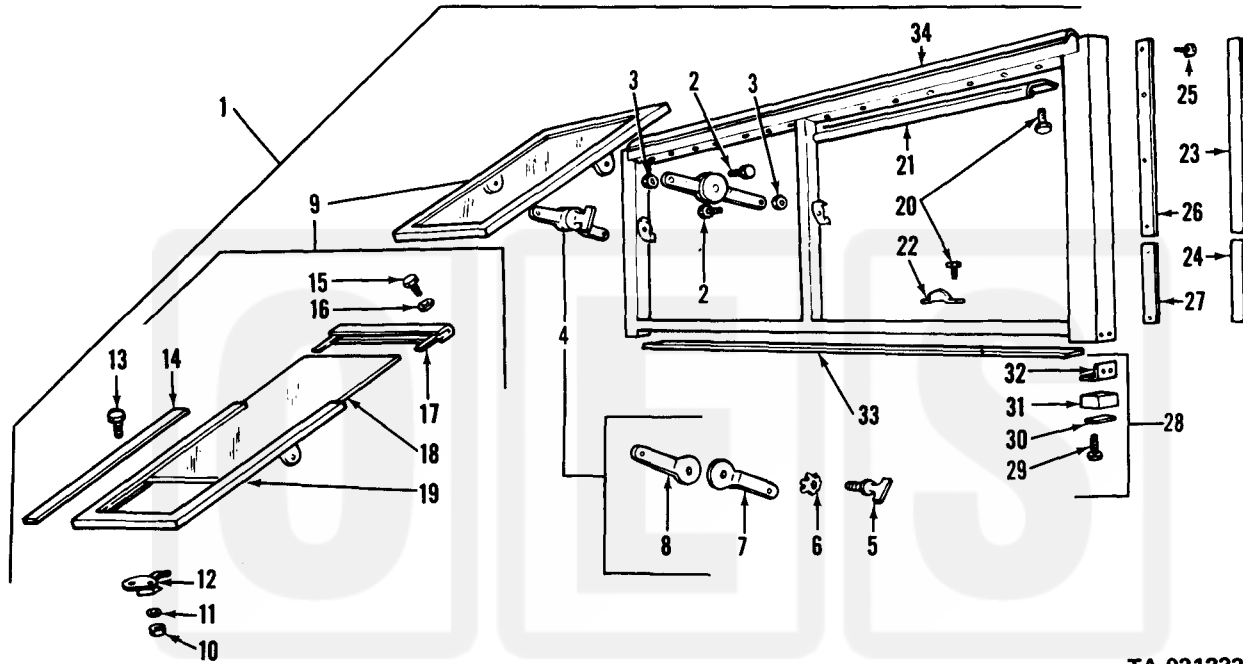


(1)	(2)	(3)	(4)	(5)	(6)	(7)	(8)
ILLUS.							QTY
(a)	(b)	SMR	NATIONAL	PART	DESCRIPTION	U/M	INC
FIG.	ITEM	CODE	STOCK	NUMBER	FSCM		IN
NO.	NO.		NUMBER		USABLE ON CODE		UNIT
					1802-FENDERS, RUNNING BOARDS, WITH MOUNTING AND ATTACHING PARTS, OUTRIGGERS, WINDSHIELD, GLASS, ETC. (CONT'D)		
135	22	PAOZZ	2540-00-459-3194	7397850	19207	COMPARTMENT, GLOVE	EA 1
135	23	PAOZZ	5330-00-693-0611	7373339	19207	SEAL, RUBBER, SPECIAL	EA 1
135	24	PAOZZ	2510-00-737-3340	7373340	19207	DOOR: GLOVE COMPARTMENT, W/ HANDLE AND HINGE	EA 1
135	25	PAOZZ	2510-00-741-5856	7415856	19207	REINFORCEMENT: PILLAR GUSSET, VERTICAL	EA 2
136	1	AOZZ		7748623	19207	WINDSHIELD ASSEMBLY	EA 1
136	2	PAOZZ	5305-00-350-1210	7374809	19207	SCREW	EA 8
136	3	PAOZZ	5310-00-264-4083	7371886	19207	WASHER	EA 8
136	4	PAOZZ	2510-00-693-0609	7373327	19207	ARM, WINDSHIELD GLASS: W/ THUMB SCREW AND SPRING	EA 4
136	5	PAOZZ	5305-00-638-0957	7529322	19207	THUMBSCREW: WINDSHIELD ADJUSTING ARM	EA 4
136	6	XAOZZ		7531289	19207	WASHER	EA 4
136	7	XAOZZ		7529324	19207	ARM	EA 4
136	8	PAOZZ	2540-00-622-3946	7529327	19207	ARM ASSEMBLY	EA 4
136	9	PAOZZ	2510-00-700-5417	7005417	19207	WINDSHIELD ASSEMBLY, FLAT, VEHICULAR: W/GLASS	EA 2
136	10	PAOZZ	5310-00-013-1498	MS24679-63	96906	NUT, PLAIN, CLINCH: WINDSHIELD HINGE HANDLE	EA 2
136	11	PAOZZ	5310-00-576-5752	MS35333-39	96906	WASHER, LOCK	EA 2
136	12	PAOZZ	5340-00-737-3330	7373330	19207	LATCH: WINDSHIELD INNER FRAME	EA 1
136	13	PAFZZ	5305-00-543-4925	MS35226-66	96906	SCREW, MACHINE	EA 14
136	14	PAFZZ	5330-00-737-3325	7373325	19207	SEAL, RUBBER, SPECIAL, SHAPED SECTION: WINDSHIELD INNER FRAME TO OUTER FRAME	EA 2
136	15	PAFZZ	5305-00-984-6192	MS35206-244	96906	SCREW	EA 4
136	16	PAFZZ	5310-00-559-0070	MS35333-38	96906	WASHER, LOCK	EA 4
136	17	XAFZZ		8686996	19207	CROSS PIECE ASSEMBLY	EA 1
136	18	XAFZZ		8687043	19207	GLASS, LAMINATED, FLAT: WINDSHIELD	EA 1
136	19	XAFZZ		8686995	19207	FRAME ASSEMBLY	EA 1
136	20	PAFZZ	5306-00-059-4001	594001	21450	SCREW	EA 14
136	21	PAFZZ	5340-00-696-0266	7373323	19207	LEAF, BUTT HINGE: WINDSHIELD GLASS FRAME TO OUTER FRAME	EA 2

Current part is item (21) on diagram. Available at www.oshkoshequipment.com



TA 031233

Figure 136. Windshield assembly.

Oshkosh
Equipment Sales

Current part is item (21) on diagram. Available at www.oshkoshequipment.com