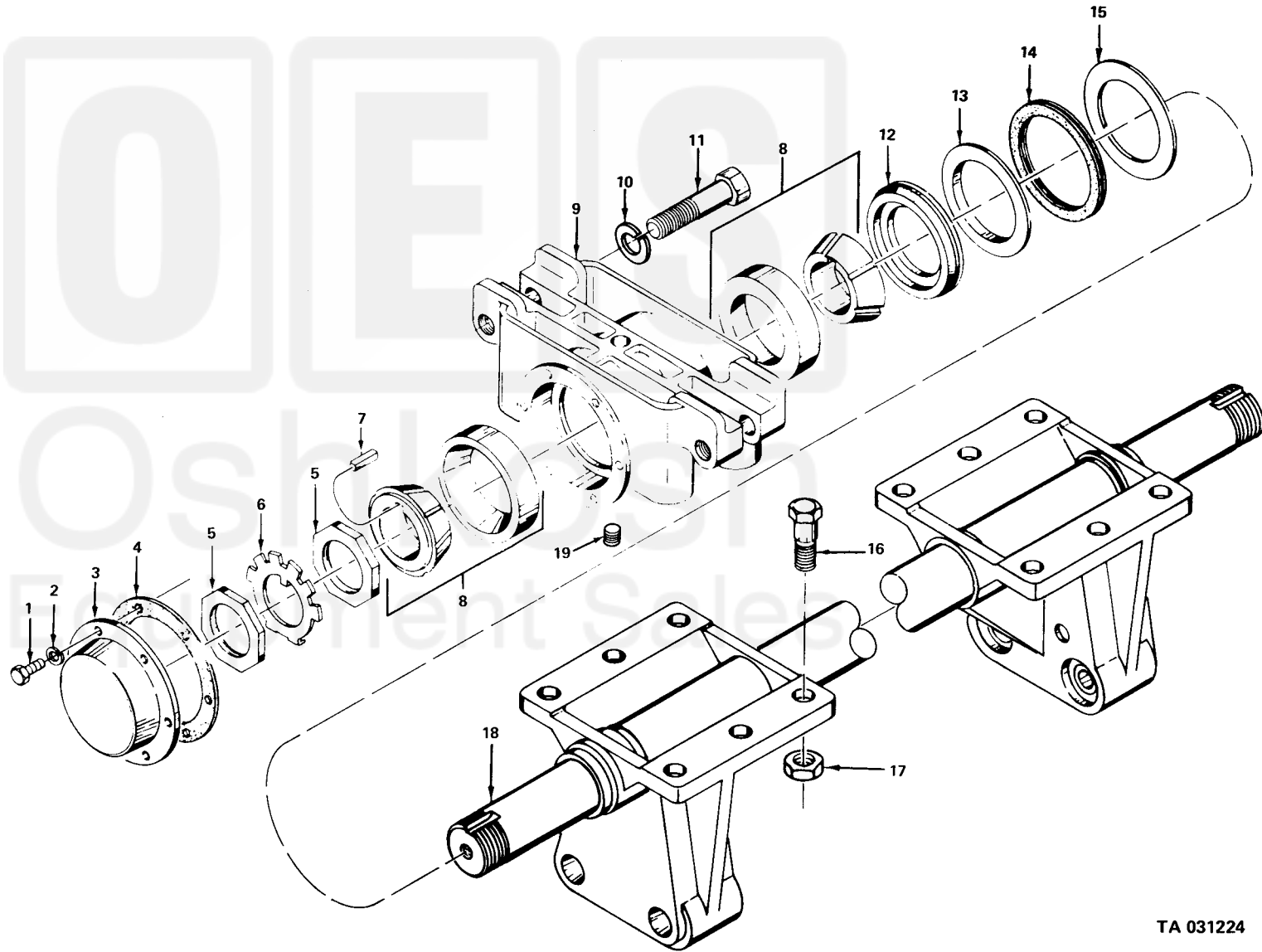


Current part is item (12) on diagram. Available at www.oshkoshequipment.com

(1)	(2)	(3)	(4)	(5)	(6)	(7)	(8)
ILLUS.							QTY
(a)	(b)	SMR	NATIONAL	PART		DESCRIPTION	U/M
FIG.	ITEM	CODE	STOCK	NUMBER	FSCM		INC
NO.	NO.		NUMBER			USABLE ON CODE	IN
							UNIT
						1601-SPRING(CONT'D)	
127	8	PAOZZ	3120-00-105-9923	11609331	19207	BEARING,SPRING: SPRING SEAT	EA 4
127	9	PAOZZ	2510-00-037-4972	8757712	19207	SEAT	EA 2
127	10	PAOZZ	5310-00-754-2005	MS35338-52	96906	WASHER, LOCK	EA 4
127	11	PAOZZ	5306-00-752-1642	7521642	19207	BOLT, MACHINE	EA 4
127	12	PAOZZ	5330-00-891-7826	10896684	19207	SEAL, PLAIN, ENCASED: OIL	EA 2
127	13	PAOZZ	5330-00-693-0624	7521647	19207	RETAINER: SEAT BEARING, FELT	EA 2
127	14	PAOZZ	5310-00-693-0623	7521646	19207	SEAL	EA 2
127	15	PAOZZ	5310-00-693-0622	7521643	19207	WASHER, FLAT	EA 2
127	16	PAFZZ	5305-00-728-7698	MS90726-188	96906	SCREW, CAP, HEXAGON HEAD	EA 12
127	17	PAFZZ	5310-00-935-3569	MS51943-46	96906	NUT, SELF-LOCKING	EA 12
127	18	PAFZZ	2510-00-177-7788	7700126	19207	BRACKET, SPRING: TANDEM AXLE SUSPENSION	EA 1
127	19	PAOZZ	4730-00-221-2136	MS20913-1S	96906	PLUG, PIPE	EA 2



Current part is item (12) on diagram. Available at www.oshkoshequipment.com



TA 031224

Figure 127. Spring seat.

Current part is item (12) on diagram. Available at www.oshkoshequipment.com