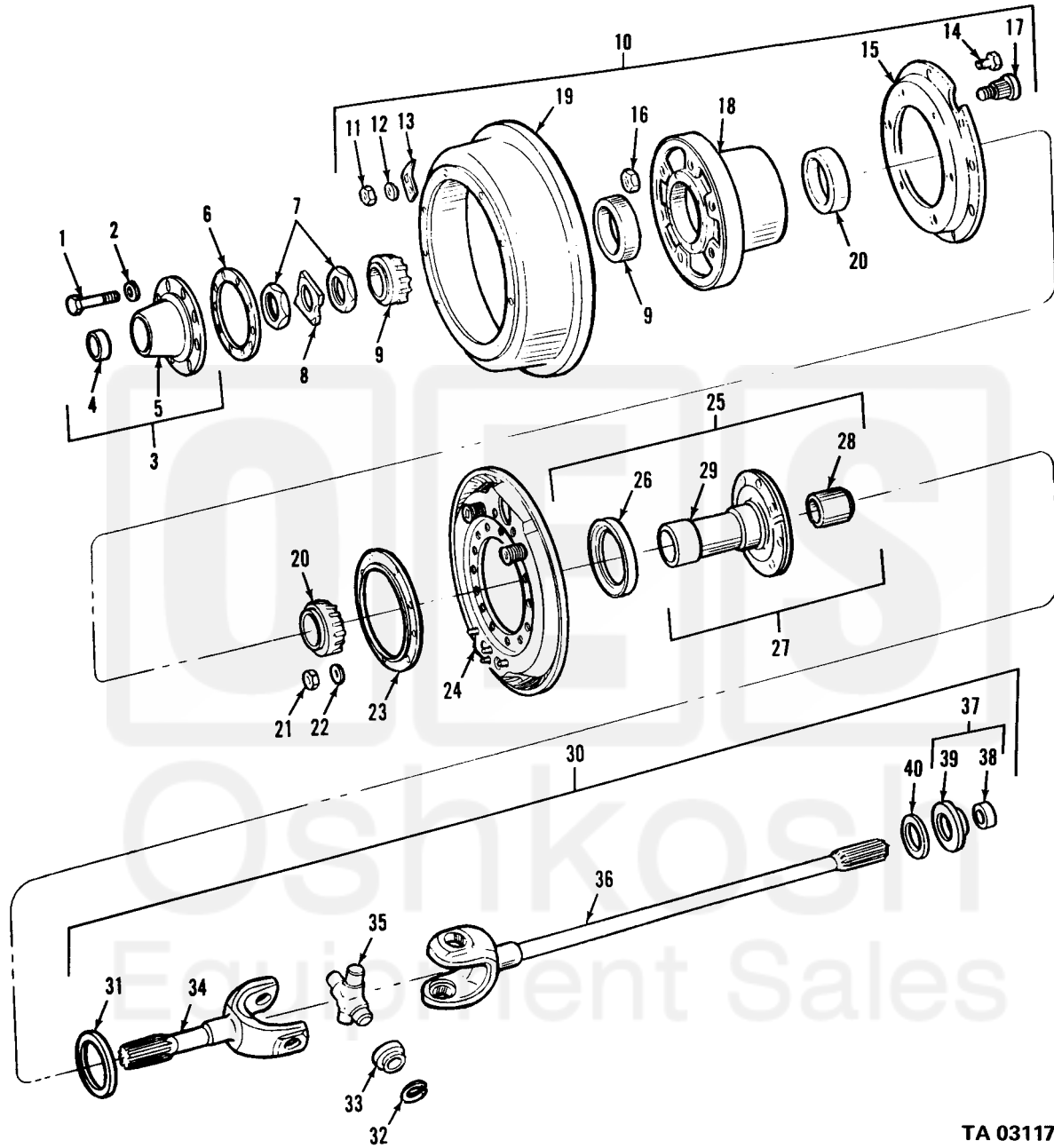


(1)	(2)	(3)	(4)	(5)	(6)	(7)	(8)
ILLUS.							QTY
(a)	(b)	SMR	NATIONAL	PART		DESCRIPTION	U/M
FIG.	ITEM	PAOZZ	STOCK	NUMBER	FSCM		INC
NO.	NO.		NUMBER			USABLE ON CODE	IN
							UNIT
1004-STEERING MECHANISM(CONT'D)							
84	7	PAOZZ	5310-00-220-2665	10896720	19207	NUT,PLAIN,OCTAGON: ADJUSTING BEARING	EA 4
84	8	PAOZZ	5310-00-752-1650	10896695	19207	WASHER,KEY:BEARING ADJUSTING NUT	EA 2
84	9	PAOZZ	3110-00-087-9881	10948079	19207	BEARING ASSEMBLY:HUB,OUTER	EA 2
84	10	PBOFF	2530-00-193-8187	7529053	19207	HUB AND DRUM ASSEMBLY:LEFT (COMPONENTS SAME AS HUB AND DRUM ASSEMBLY,NSN2530-00-193-8183, EXCEPT WHERE INDIVIDUAL COMPONENTS ARE ANNOTATED)(TO BE REPAIRED USING COMPONENTS ONLY)	EA 1
84	10	PBOFF	2530-00-193-8183	7529054	19207	HUB AND DRUM ASSEMBLY:RIGHT (TO BE REPAIRED USING COMPONENTS ONLY)	EA 1
84	11	PAOZZ	5310-00-732-0559	MS51968-8	96906	NUT,SELF-LOCKING	EA 10
84	12	PAOZZ	5310-00-637-9541	MS35338-46	96906	WASHER,LOCK	EA 10
84	13	PAOZZ	2530-00-134-5121	10896733	19207	COVER,INSPECTION	EA 1
84	14	PAOZZ	5306-00-177-5278	10896689	19207	BOLT,RIBBED SHOULDER:ADAPTER	EA 10
84	15	PAOZZ	2530-00-026-3916	7521636	19207	ADAPTER,BRAKE DRUM	EA 1
84	16	PAOZZ	5310-00-880-2004	MS51983-3	96906	NUT,SINGLE BALL SEAT,HEXAGON: LEFT,WHEEL HUB STUD(USED ON HUB AND DRUM ASSEMBLY, 7529053(19207),ONLY)	EA 6
84	16	PAOZZ	5310-00-594-8038	MS51983-2	19207	NUT,SINGLE BALL SEAT,HEXAGON: RIGHT,WHEEL HUB STUD(USED ON HUB AND DRUM ASSEMBLY, NSN2520-00-193-8183,ONLY)	EA 6
84	17	PAOZZ	5306-00-206-6339	10896719-1	19207	BOLT,RIBBED SHOULDER:LEFT, HUB(USED ON HUB AND DRUM ASSEMBLY,7529053(19207),ONLY)	EA 6
84	17	PAOZZ	5306-00-170-0141	10896719-2	19207	BOLT,RIBBED SHOULDER:RIGHT,HUB (USED ON HUB AND DRUM ASSEMBLY, NSN2520-00-193-8183,ONLY)	EA 6
84	18	PAOZZ	2530-00-176-7859	10896708	19207	HUB	EA 1
84	19	PAOZZ	2530-00-288-2986	10896696	19207	BRAKE DRUM:SERVICE	EA 1
84	20	PAOZZ	3110-00-087-3930	10945151	19207	BEARING ASSEMBLY:HUB,INNER	EA 2
84	21	PAOZZ	5310-00-732-0559	MS51968-8	96906	NUT,PLAIN,HEXAGON	EA 24
84	22	PAOZZ	5310-00-627-6128	MS35335-35	96906	WASHER,LOCK	EA 24
84	23	PAOZZ	2530-00-752-1654	7521654	19207	DEFLECTOR,DIRT AND LIQUID: OIL,BRAKE DRUM	EA 2
84	24	PAOZZ	2530-00-089-4153	7699791	19207	PLATE ASSEMBLY	EA 2
84	25	XBOZZ		8757676	19207	SPINDLE ASSEMBLY	EA 2
84	26	PAOZZ	5330-00-891-7826	10896684	19207	SEAL,PLAIN,ENCASED: HUB BEARING INNER	EA 1

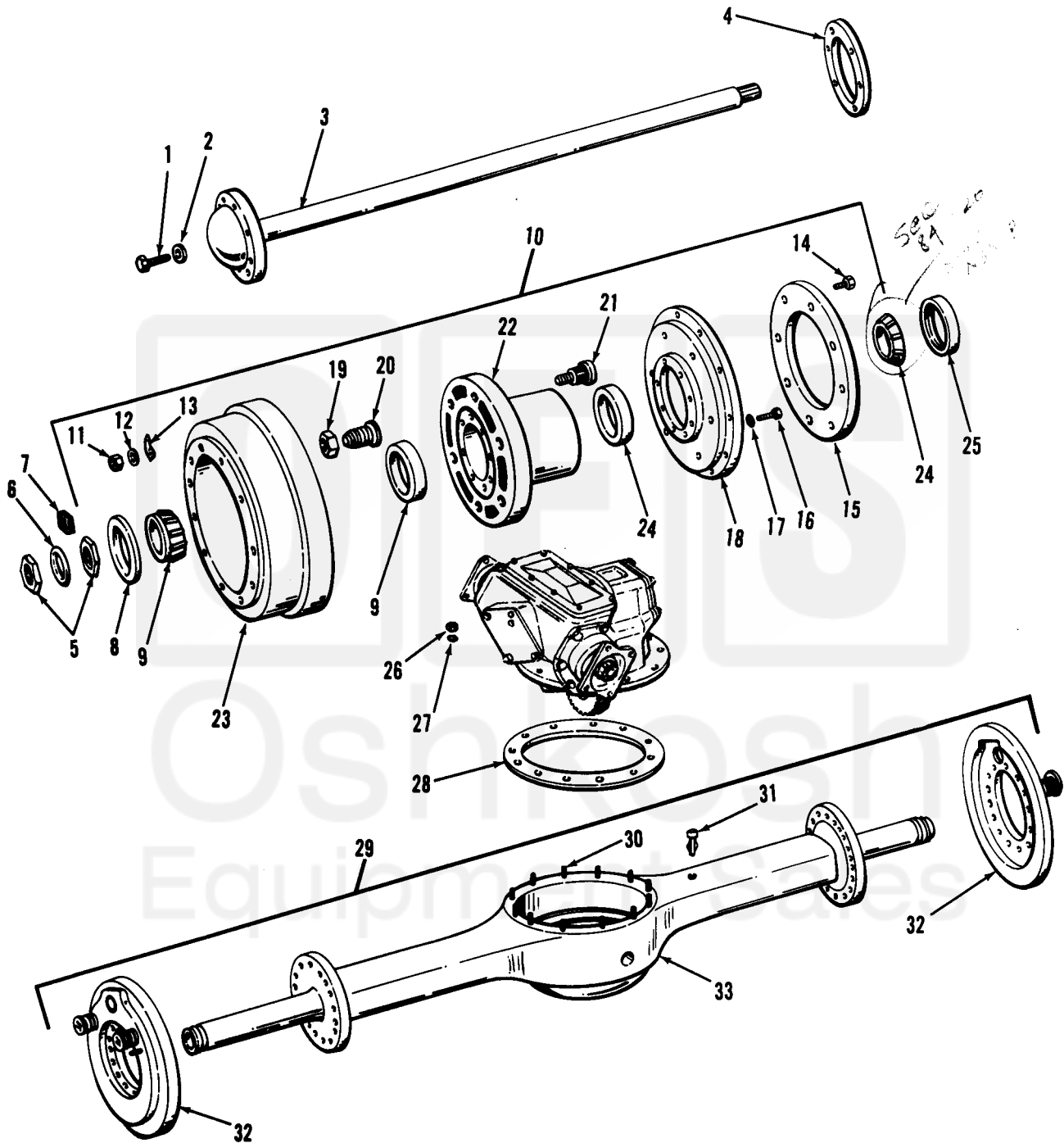


TA 031179

Figure 84. Front axle shafts, hubs and drums.

(1)	(2)	(3)	(4)	(5)	(6)	(7)	(8)
ILLUS.							QTY
(a)	(b)	SMR	NATIONAL	PART	DESCRIPTION	U/M	INC
FIG.	ITEM	CODE	STOCK	NUMBER	FSCM		IN
NO.	NO.		NUMBER		USABLE ON CODE		UNIT
					1100-REAR AXLE ASSEMBLY (CONT'D)		
86	20	PAOZZ	2530-00-359-1162	MS53068-2	96906 NUT,CAP:DUAL WHEEL, RIGHT,WHEEL HUB STUD (USED ON HUB AND DRUM ASSEMBLY,NSN2530-00-134- 5122,ONLY)	EA	6
86	21	PAOZZ	5306-00-206-6339	10896719-1	19207 BOLT,RIBBED SHOULDER:HUB, LEFT(USED ON HUB AND DRUM ASSEMBLY,NSN2530-00-134- 5110,ONLY)	EA	6
86	21	PAOZZ	5306-00-170-0141	10896719-2	19207 BOLT,RIBBED SHOULDER: HUB,RIGHT(USED ON HUB AND DRUM ASSEMBLY, NSN2530-00-134-5122,ONLY)	EA	6
86	22	PAOZZ	2530-00-176-7859	10896708	19207 HUB	EA	1
86	23	PAOZZ	2530-00-288-2986	10896696	19207 BRAKE DRUM:SERVICE	EA	1
86	24	PAOZZ	3110-00-087-3930	10945151	19207 BEARING ASSEMBLY:HUB,INNER	EA	2
86	25	PAOZZ	5330-00-891-7826	10896684	19207 SEAL,PLAIN,ENCASED: HUB BEARING,INNER	EA	2
86	26	PAFZZ	5310-00-826-5916	MS51968-12	96906 NUT,PLAIN,HEXAGON	EA	12
86	27	PAFZZ	5310-00-893-3381	7748744	19207 WASHER,FLAT	EA	12
86	28	KFFZZ		7521782	19207 GASKET:CARRIER TO HOUSING (PART OF SET,P/N7521735)	EA	1
86	29	XAFZZ		8757645	19207 HOUSING ASSEMBLY	EA	1
86	30	PAFZZ	5307-00-207-7596	7521785	19207 STUD,PLAIN	EA	12
86	31	PAOZZ	4820-00-726-4719	5196397	00000 VALVE,RELIEF	EA	1
86	32	PAFZZ	2530-00-089-4153	7699791	19207 PLATE ASSEMBLY	EA	2
86	33	XAFZZ		8757667	19207 HOUSING ASSEMBLY	EA	2
85		PAFZZ	5330-00-752-1735	7521735	19207 GASKET SET:OVERHAUL	EA	2
86	13				GASKET	EA	1
86	4				GASKET	EA	2
86	7				CORK	EA	2
86	28				GASKET	EA	1





TA 031181

Figure 86 Rear hub, drum and axle shafts.