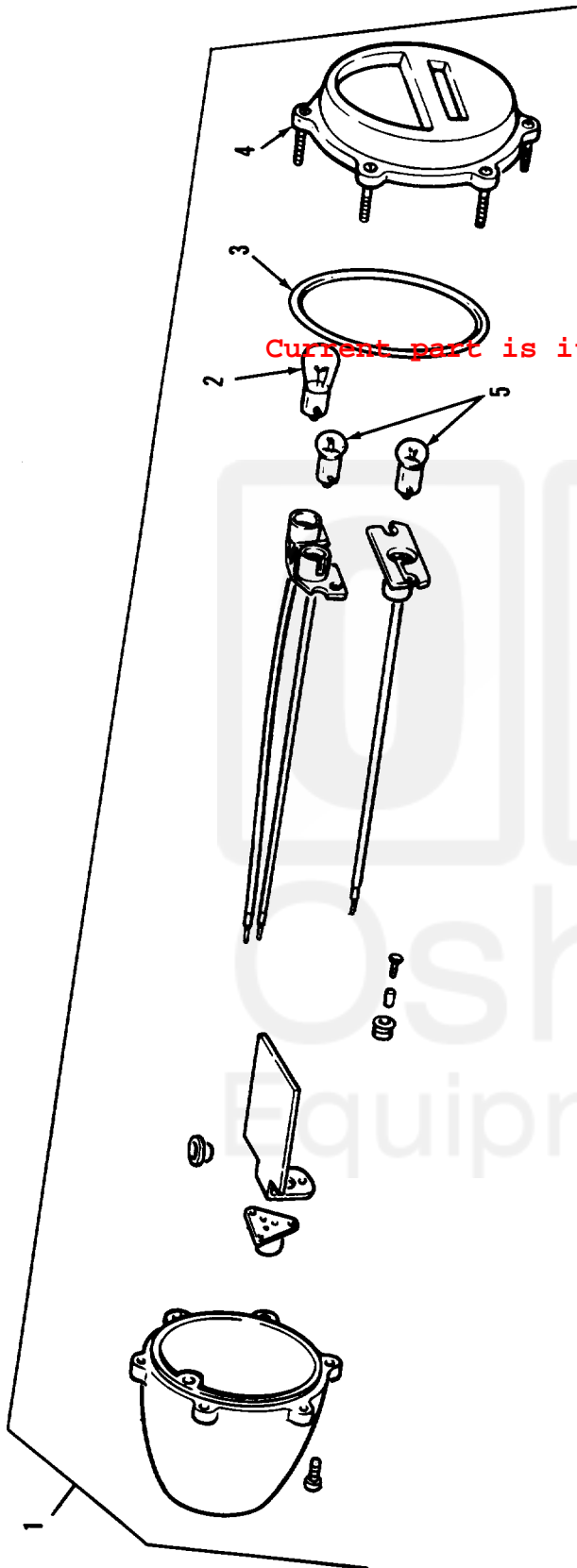


(1) SMR Code	(2) Federal Stock Number	(3) Description	(4) Unit Meas.	(5) Qty	(6) 15-day organizational	(7) Illustration			
Reference number & mfg. code			Usable on code	(a) 1-5	(b) 6-20	(c) 21-50	(d) 51-100	(a) Figure No.	(b) Item No.
0609-LIGHTS-CONTINUED									
PAOZZ	6220-752-6018	DOOR ASSEMBLY WITH SCREWS: 7526017 (21450)	EA	1	*	*	*	70	4
PAOZZ	6220-669-5623	STOPLIGHT-TAILLIGHT: LEFT MS51329-1 (96906)	A	EA	1	*	*	71	1
PAOZZ	6220-752-6020	DOOR ASSEMBLY WITH SCREWS: 7526020 (19207)	EA	1	*	*	*	71	2
PAOZZ	5330-297-7106	PACKING PREFORMED: DOOR 7320658 (19207)	EA	1	*	*	*	71	3
PAOZZ	6240-019-0877	LAMP, INCANDESCENT: TAILLIGHT MS15570-1251 (96906)	EA	1	*	*	*	71	4
PAOZZ	6240-044-6914	LAMP, INCANDESCENT: STOPLIGHT MS35478-1683 (96906)	EA	2	*	*	*	71	5
PAOZZ	6220-500-0437	LIGHT, MARKER, CLEARANCE: BLACKOUT PARKING AND WARNING MS53047-1 (96906)	A	EA	2	*	*	72	1
PAOZZ	6240-044-6914	LAMP, INCANDESCENT: BLACKOUT MARKER LIGHT MS35478-1683 (96906)	EA	1	*	*	*	72	2
PAOZZ	5330-297-7106	PACKING, PREFORMED: LIGHT DOOR 7320658 (19207)	EA	1	*	*	*	72	3
PAOZZ	6220-752-6030	DOOR ASSEMBLY: 7526030 (19207)	EA	1	*	*	*	72	4
PAOZZ	6240-019-0877	LAMP, INCANDESCENT: MS15570-1251 (96906)	EA	2	*	*	*	72	5
PAOZZ	5306-225-9087	SCREW, CAP, HEXAGON HEAD: 5/16-24UNF-2A X 3/4 IN., LIGHT MOUNTING MS90726-32 (96906)	A	EA	4	*	*	73	1
PAOZZ	5310-889-2527	WASHER, LOCK: LIGHTING MOUNTING MS45904-72 (96906)	A	EA	4	*	*	73	2
PAOZZ	6220-428-5943	GUARD: BRUSH FRONT LIGHT MOUNTING 11658687 (19207)	A	EA	2	*	*	73	3
PAOZZ	6220-880-1624	LIGHT ASSEMBLY: FRONT 11614156 (19207)	A	EA	2	*	*	73	4
XAOZZ		BODY: FRONT LIGHT 11639541 (19207)		1				73	5
PAOZZ	6240-019-3093	LAMP, INCANDESCENT: 6 CP., SINGLE CONTACT MS15570-623 (96906)	EA	1	*	*	*	73	6
PAOZZ	5330-463-0200	GASKET: LIGHT DOOR 11639519-1 (19207)	EA	1	*	*	*	73	7
PAOZZ	6220-179-4325	DOOR ASSEMBLY WITH SCREWS: 11639546 (19207)	EA	1	*	*	*	73	8

TA 009245



Current part is item (1) on diagram. Available at www.oshkoshequip.com

Figure 72. Turn signal and blackout marker light.

Current part is item (1) on diagram. Available at www.oshkoshequip.com