

PF	6145-560-5481	CABLE, 10 IN. LG MIL-C-13486/ 1-5 (81349)	FT	V	*	*	*	*	*	*			43	5
PO	9905-752-4649	MARKER MS39020-1 (96906)	EA	2	*	*	*	*	*	*			43	6
MFO		WIRE RECEPTACLE FEED 11657990-2(19207) CA	EA	1									43	7
		MANUFACTURE FROM:												
PF	5940-143-4780	TERMINAL MS25036-108 (96906)	EA	2	*	*	*	*	*	*			43	4
PF	6145-560-5481	CABLE, 49 IN. LG MIL-C-13486/1-5 (81349)	FT	V	*	*	*	*	*	*			43	5
PF	9905-752-4649	MARKER MS39020-1 (96906)	EA	2	*	*	*	*	*	*			43	6
PO	5305-883-0628	SCREW, MACHINE MS24617-21 (96906)	EA	4	*	*	*	*	*	*			44	1
X20		BUSS BAR, BLOWER SWITCHES 11658185 (19207) CA	EA	1	*	*	*	*	*	*			44	2
PO	5930-655-1514	SWITCH MS35058-22 (96906)	EA	2	*	*	*	*	*	*			44	3
PO	9905-405-0225	PLATE, EXHAUST BLOWER SWITCH INSTRUMENT 11658573 (19207) CA	EA	1	*	*	*	*	*	*			44	4
PO	5930-755-0761	SWITCH, STOPLIGHT MS75063-1 (96906)	EA	1	*	*	*	*	*	*			53	6
		0609-LIGHTS -												
PO	6220-500-0437	LAMP ASSEMBLY, BLACKOUT PARKING AND SIGNAL, FRONT MS53047-1 (96906)	EA	2	*	*	*	*	*	*			45	1

Oshkosh
Equipment Sales

Current part is item (1) on diagram. Available at www.oshkoshequipment.com

Current part is item (1) on diagram. Available at www.oshkoshequipment.com

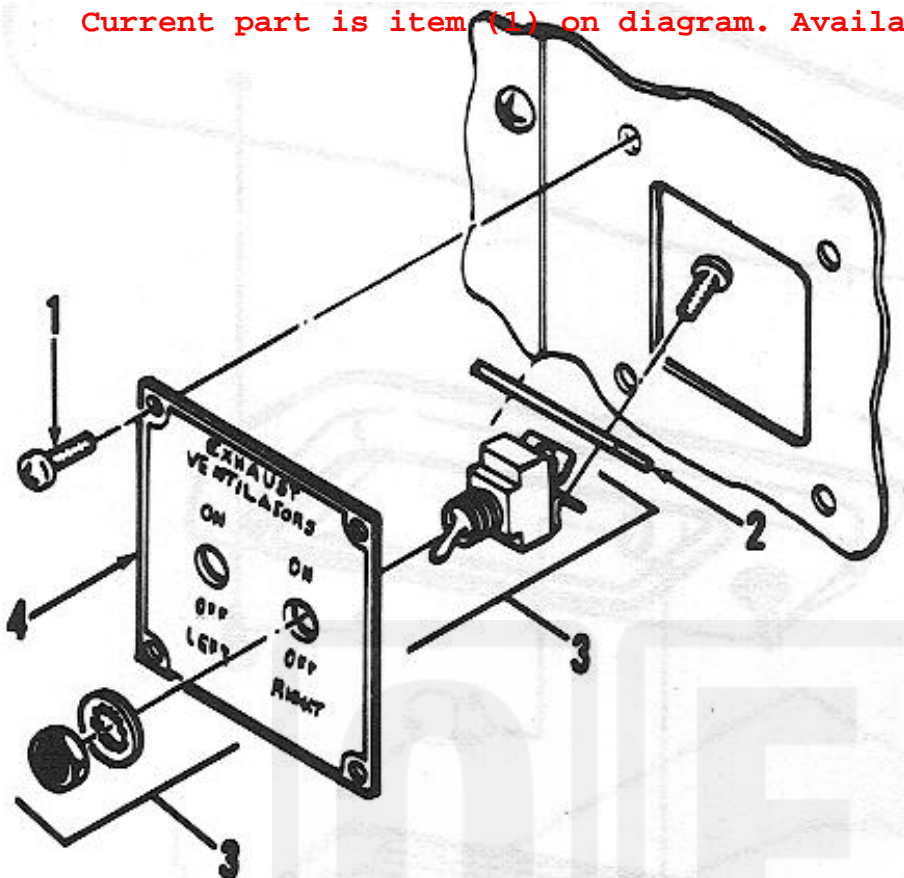


Figure 44: Exhaust Blower Switch (Ambulance)

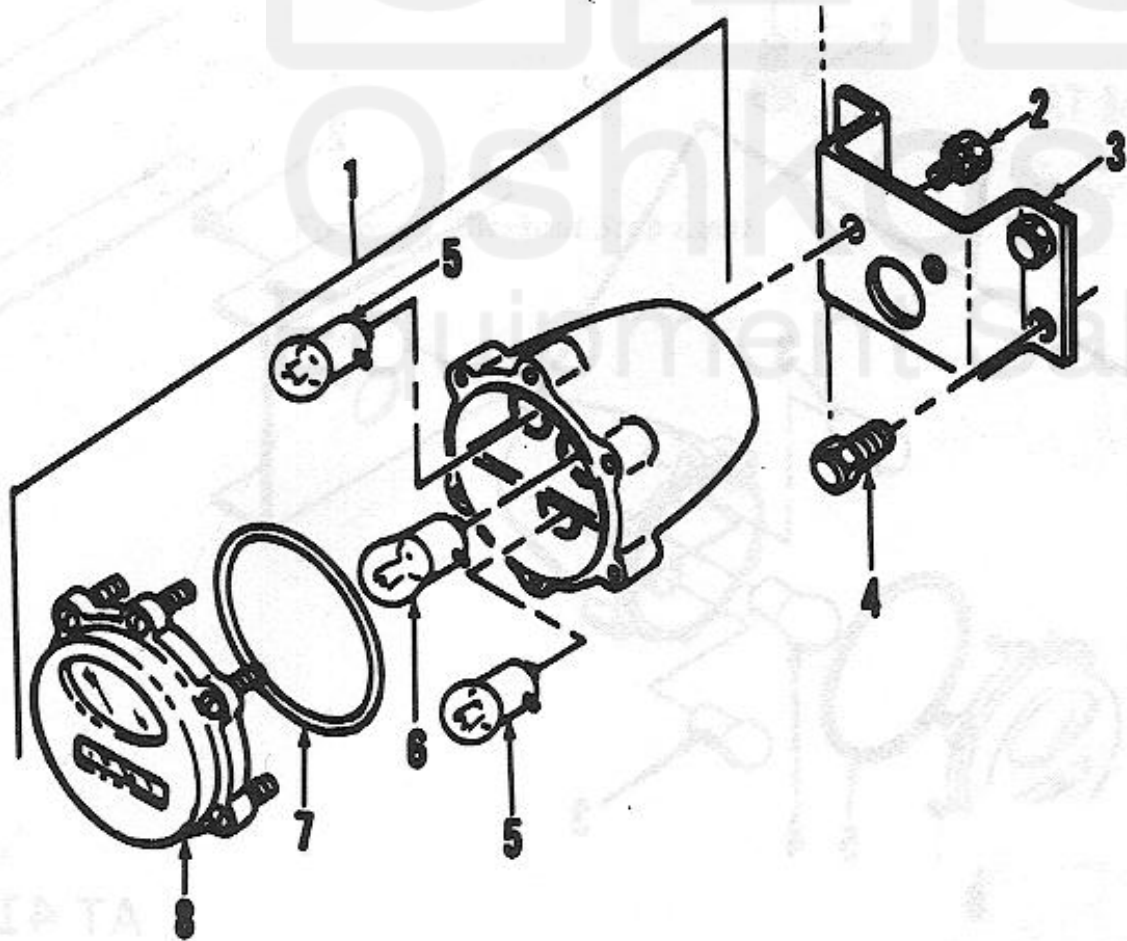


Figure 45: Front Blackout Marker, Directional and Parking Light

Current part is item (1) on diagram. Available at www.oshkoshequipment.com