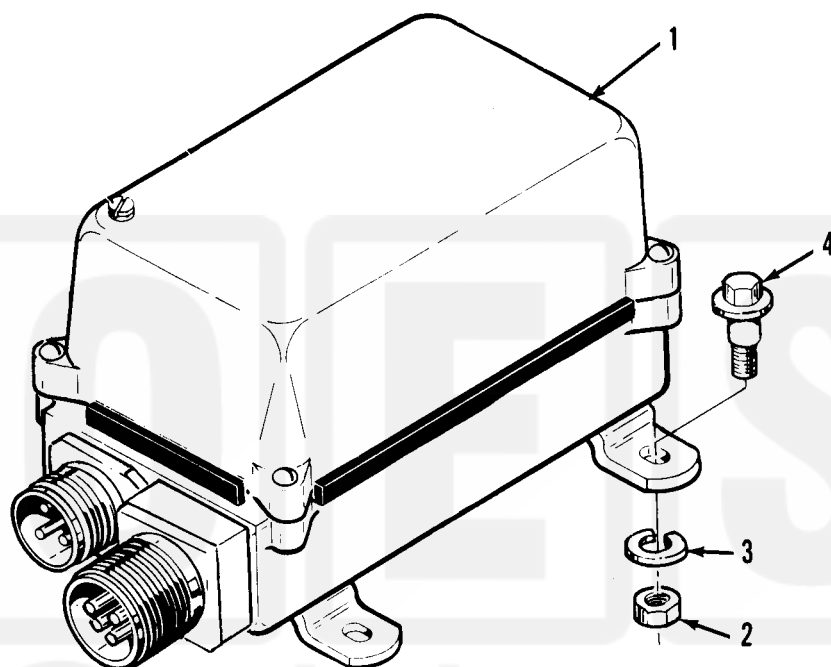


Current part is item (1) on diagram. Available at www.oshkoshequipment.com

(1)	(2)	(3)	(4)	(5)	(6)	(7)	(8)
ILLUS.							QTY
(a)	(b)	SMR	NATIONAL	PART		DESCRIPTION	U/M
FIG.	ITEM	CODE	STOCK	NUMBER	FSCM		INC
NO.	NO.		NUMBER			USABLE ON CODE	IN
							UNIT
						0602-GENERATOR REGULATOR (VOLTAGE)	
35	1	PAOZZ	2920-00-800-7218	11631857	19207	REGULATOR,ENGINE GENERATOR	EA 1
35	2	PAOZZ	5310-00-891-1709	MS35691-9	96906	NUT,PLAIN,HEXAGON	EA 4
35	3	PAOZZ	5310-00-407-9566	MS35338-45	96906	WASHER,LOCK	EA 4
35	4	PAOZZ	5305-00-042-5594	425594	24617	SCREW,ASSEMBLED WASHER	EA 4
35	NI	PAOZZ	2920-00-900-7993	10947114	19207	REGULATOR,ENGINE GENERATOR:	
						ALTERNATOR ASSEMBLY AA	EA 1
35	NI	PAOZZ	5340-00-692-9356	7392936	19207	MOUNT,RESILIENT: REGULATOR MTG AA	EA 4



Current part is item (1) on diagram. Available at www.oshkoshequipment.com



TA 031125

Figure 35. Generator regulator.