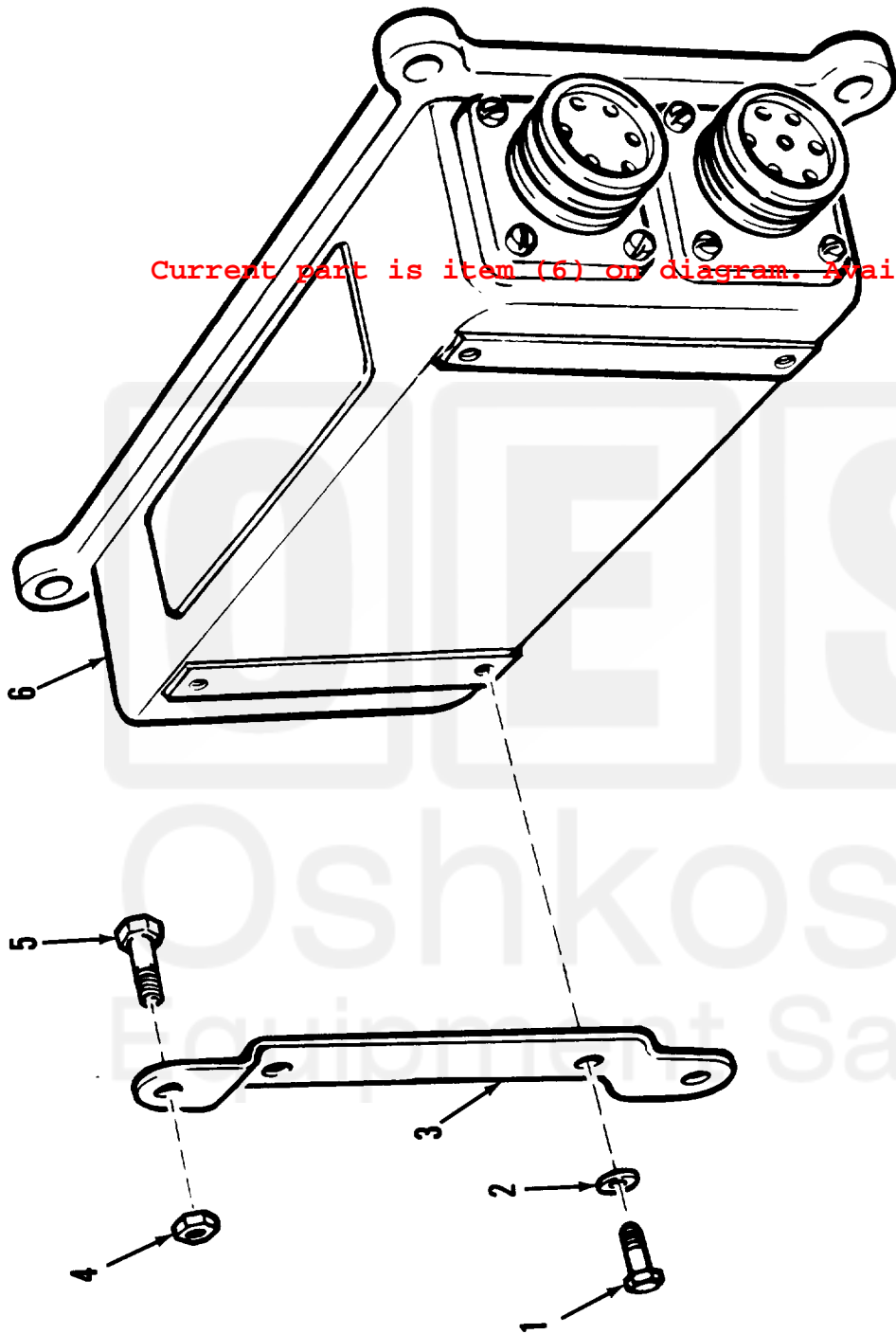


TABLE 1. RECOVERABLE AND DIRECT EXCHANGE ITEMS-CONTINUED

SMR CODE	FEDERAL STOCK NUMBER	PART NO. AND MFR CODE	DESCRIPTION	QTY	ILLUSTRATION	
				INC IN UNIT	FIGURE NO*	ITEM NO.
PAOFF	2920-293-4380	7355736(19207)	GENERATOR,ENGINE	3	51	8
					52	4
					53	15
PAOFF	2920-358-6960	7353276(19207)	DISTRIBUTOR,IGNITION	1	59	1
PAOFF	2920-640-7300	7731426(19207)	STARTER,ENGINE,ELECTRICAL	1	55	1
PAOFF	2920-800-7218	11631857(19207)	REGULATOR,ENGINE GENERATOR	1	54	6
PAOFF	2920-903-9534	10950808(19207)	GENERATOR,ENGINE	3	51	8
					52	4
					53	15
PAOFF	2920-953-9784	8712283(19207)	REGULATOR,ENGINE GENERATOR	1	54	6
PAOFF	2920-999-6216	109513851-1(19207)	STARTER,ENGINE,ELECTRICAL	2	56	2
					57	1
					57	1
PAOFF	2930-169-5759	11640319(19207)	RADIATOR,ENGINE COOLING	1	40	5
PAOFF	2930-737-5656	7375656(19207)	RADIATOR,ENGINE COOLING	1	41	1
PAOFF	2930-890-2556	316GCA3155(76040)	PUMP ASSEMBLY,WATER	1	47	4
PAOFF	2930-972-2597	3MFAX559(76040)	RADIATOR,ENGINE COOLING	1	40	5
PAOFF	2990-418-1060	631GC458(76040)	SUPERCHARGER	1	26	6
PAOFF	2990-974-7443	6316C559(76040)	TURBOCHARGER	1	26	6
PAOFF	4310-439-6075	10899038(19207)	COMPRESSOR ASSEMBLY	1	117	1
PAOFF	5930-791-1561	8380700(19207)	SWITCH,ROTARY	1	GROUP	
					0607*	
PAOZA	6140-057-2554	MS35000-3(96906)	BATTERY,STORAGE	2	84	17



AT 47157



Current part is item (6) on diagram. Available at [www.oshkoshequipm](http://www.oshkoshequipm)

Figure 5-1. Generator regulator.

Current part is item (6) on diagram. Available at [www.oshkoshequipm](http://www.oshkoshequipm)