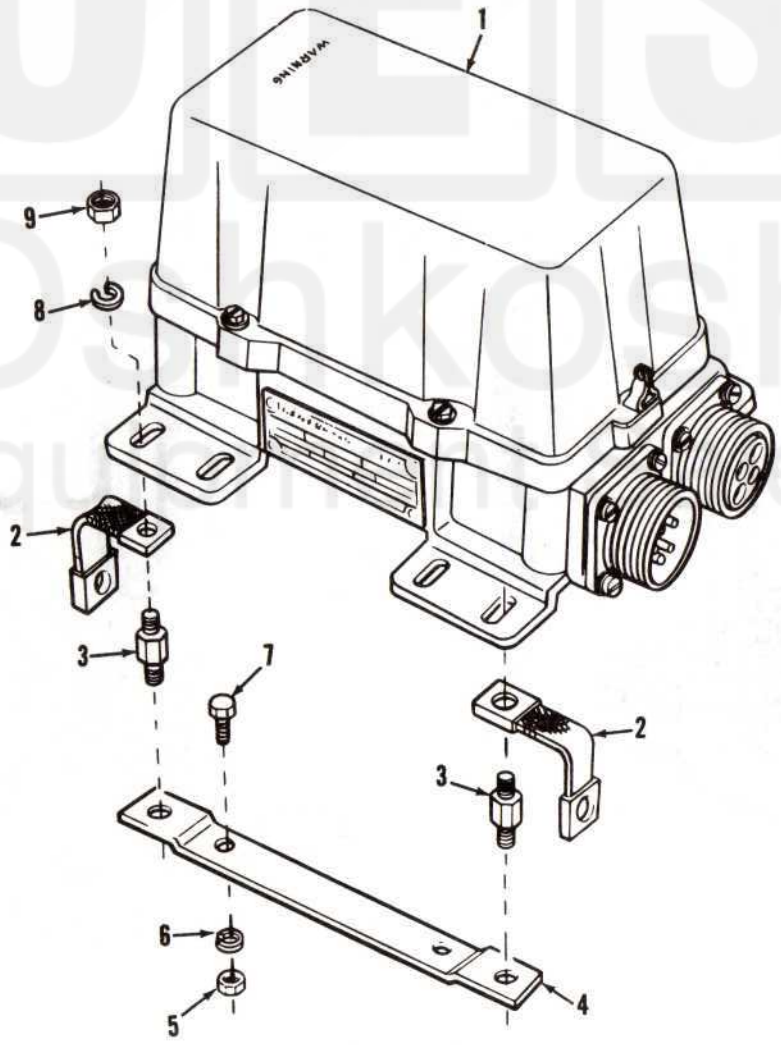
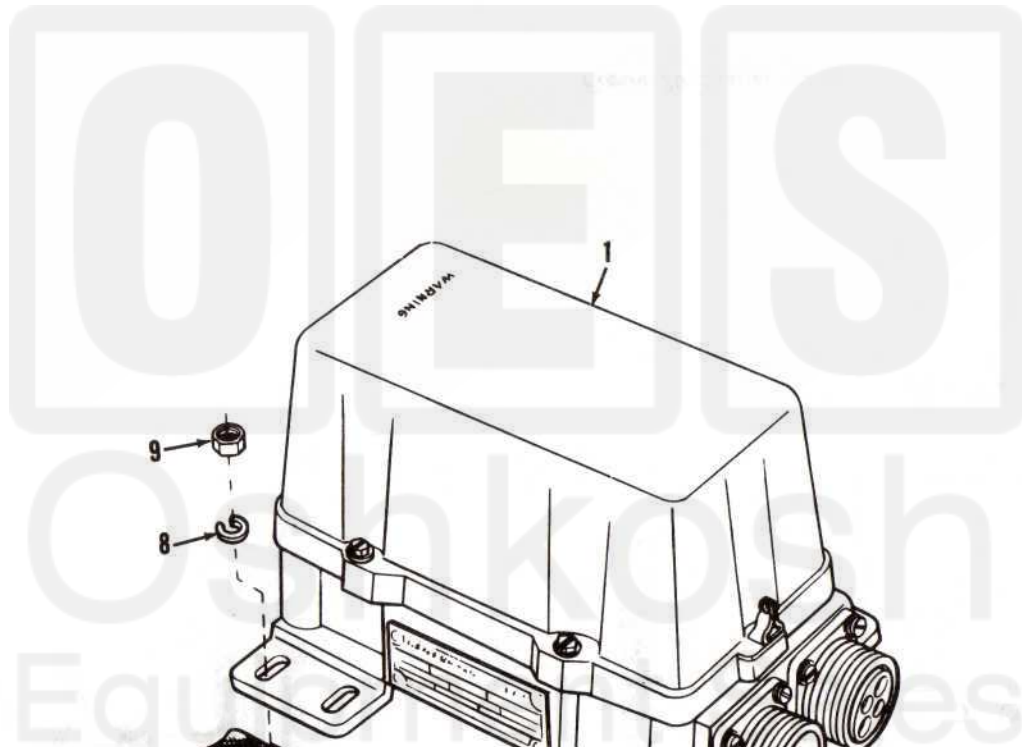


(1) SMR Code	(2) Federal Stock Number	(3) Description Reference number & mfg. code	(4) Unit Of Meas.	(5) Qty Inc In Unit	(6) 15-day organizational Maintenance air				(7) Illustration	
					(a) 1-5	(b) 6-20	(c) 21-50	(d) 51-100	(a) Figure No.	(b) Item No.
		0601—GENERATOR—Continued								
P-O-R	2920-293-4380	GENERATOR, ENGINE ACCESSORY: without pulley, assembly (optional with Generator, FSN 2920-737-9534) 7355736 (19207)	EA	1	*	*	*	*	18	9
P-O	5310-880-7745	NUT, HEXAGON: generator mounting MS51968-11 (96906)	EA	2	*	*	*	*	18	10
P-O	2920-737-4870	BRACKET: mounting 7374870 (19207)	EA	1	*	*	*	*	18	11
P-O	5310-209-0965	WASHER, LOCK: bracket mounting MS35338-47 (96906)	EA	4	*	*	*	*	18	12
P-O	5940-734-8985	STUD: mounting bracket 7348985 (19207)	EA	1	*	*	*	*	18	13
P-O	5310-732-0559	NUT, STUD: generator mounting bracket MS51968-8 (96906)	EA	1	*	*	*	*	18	14
P-O	6150-260-5638	SCREW, CAP: bracket mounting 122253 (12204)	EA	1	*	*	*	*	18	15
P-O		BOLT HEXAGON: generator mounting 1272189 (12204)	EA	2	*	*	*	*	18	16
		0602—GENERATOR REGULATOR								
P-O-R	2920-800-7218	REGULATOR, ENGINE GENERATOR: assembly (Delco-Remy) 11631857 (19207)	EA	1	*	*	*	*	19	1
P-O	2920-737-4965	LEAD, ELECTRICAL: ground 7374965 (19207)	EA	4	*	*	*	*	19	2
P-O	2920-737-4922	MOUNT, RESILENT WITH STUD: regulator mounting 7374922 (19207)	EA	4	*	*	*	*	19	3
P-O	2920-737-4823	BRACKET: mounting (used with Regulator, FSN 2920-800-7218) 7374823 (19207)	EA	2	*	*	*	*	19	4

Current part is item (1) on diagram. Available at www.oshkoshequipment.com



Current part is item (1) on diagram. Available at www.oshkoshequipment.com

Figure 49. Regulator (Cont'd)