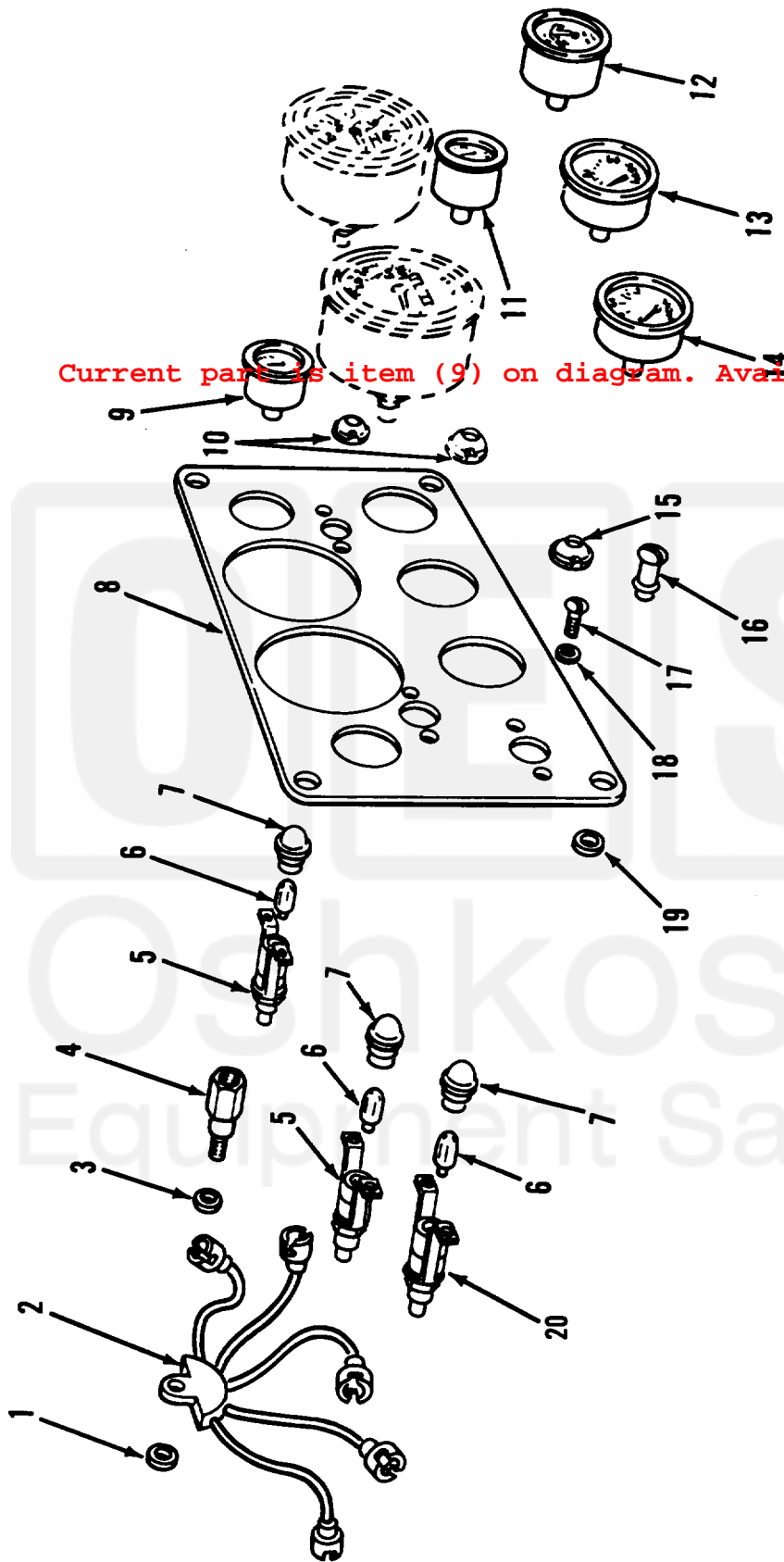


(1) SMR Code	(2) Federal Stock Number	(3) Description	(4) Unit of Meas.	(5) Qty	(6) 15-day Maintenance In Unit	(7) Organizational alw Illustration	(a) Figure No.	(b) Item No.		
Reference number & mfg. code			Usable on code	(a)	(b)	(c)	(d)			
				1-5	6-20	21-50	51-100			
0607-INSTRUMENT PANEL-CONTINUED										
PAOZZ	2590-333-1590	HARNES ASSEMBLY, INSTRUMENT: INDICATING LIGHT 8376501 (19207)	AA	EA	1	*	*	*	63	2
PAOZZ	2590-220-5105	HARNES ASSY, INSTRUMENT: INDICATING LIGHT 8376502 (19207)	AB,AC	EA	1	*	*	*	63	2
PAOZZ	5310-167-0836	WASHER, FLAT: WIRING HARNES CONNECTORS 8896953 (18876)	A	EA	5	*	*	*	63	3
PAOZZ	5307-752-5694	STUD, EXTENSION: GAGE TO CABLES 7526594 (19204)	A	EA	5	*	*	*	63	4
PAOZZ	6210-776-0412	LIGHT, PANEL: USED ON OLD TYPE PANEL WITH 1-7/8 INCH HOLE 7760412 (19207)	A	EA	3	*	*	*	63	5
PAOZZ	6210-295-0006	LIGHT, PANEL: USED ON NEW TYPE PANEL WITH 1 INCH HOLE 1582082 (70040)	A	EA	2	*	*	*	63	5
PAOZZ	6210-699-9458	LIGHT, PANEL: 8376500 (19207)	AB,AC	EA	2	*	*	*	63	5
PAOZZ	6240-019-0877	LAMP, INCANDESCENT: HIGH BEAM INDICATOR LIGHT (1) INSTRUMENT PANEL LIGHT (2) (USED WITH LIGHT FSN 6210-776- 0412 AND LIGHT FSN 6210-776-0418)	A	EA	3	*	*	*	63	6
PAOZZ	6240-266-9940	LAMP, INCANDESCENT: CLEAR HIGH BEAM INDICATOR LIGHT (1) INSTRUMENT LIGHT (2) (USED WITH LIGHT, FSN 6220-026- 4761 AND LIGHT FSN 6210-174-1375)	A	EA	3	*	*	*	63	6
PAOZZ	6210-738-4388	LENS, INDICATOR LIGHT: HIGH BEAM INDICATOR LIGHT (1), PANEL LIGHT (2) 7384388 (19207)	A	EA	3	*	*	*	63	7
PAOZZ	6210-299-5564	LENS, LIGHT: HIGH BEAM INDICATOR (USED WITH LIGHT, FSN 6210-174-1375) 7358622 (19207)	A	EA	1	*	*	*	63	7
PAOZZ	2510-089-3775	PANEL: CLUSTER 7971605 (19207)	A	EA	1	*	*	*	63	8
PAOZZ	6685-936-2139	INDICATOR, TEMPERATURE: MS24543-1 (96906)	A	EA	1	*	*	*	63	9
PAOZZ	2590-508-4592	COVER, INSTRUMENT PANEL, LIGHT: (USED WITH LIGHT, FSN 6210-776-0412) 7384392 (19207)	A	EA	2	*	*	*	63	10
PAOZZ	6680-933-3600	INDICATOR, LIQUID QUANTITY: MS24544-2 (96906)	A	EA	1	*	*	*	63	11
PAOZZ	6620-056-9584	INDICATOR, PRESSURE, OIL: 60 P.S.I (USED WITH TRANSMITTER 6620-814-4770) MS24541-2 (96906)	A	EA	1	*	*	*	63	12

AT 47160



Current part is item (9) on diagram. Available at [www.oshkoshequip.com](http://www.oshkoshequip.com)

Figure 63. Instrument cluster.

Current part is item (9) on diagram. Available at [www.oshkoshequip.com](http://www.oshkoshequip.com)