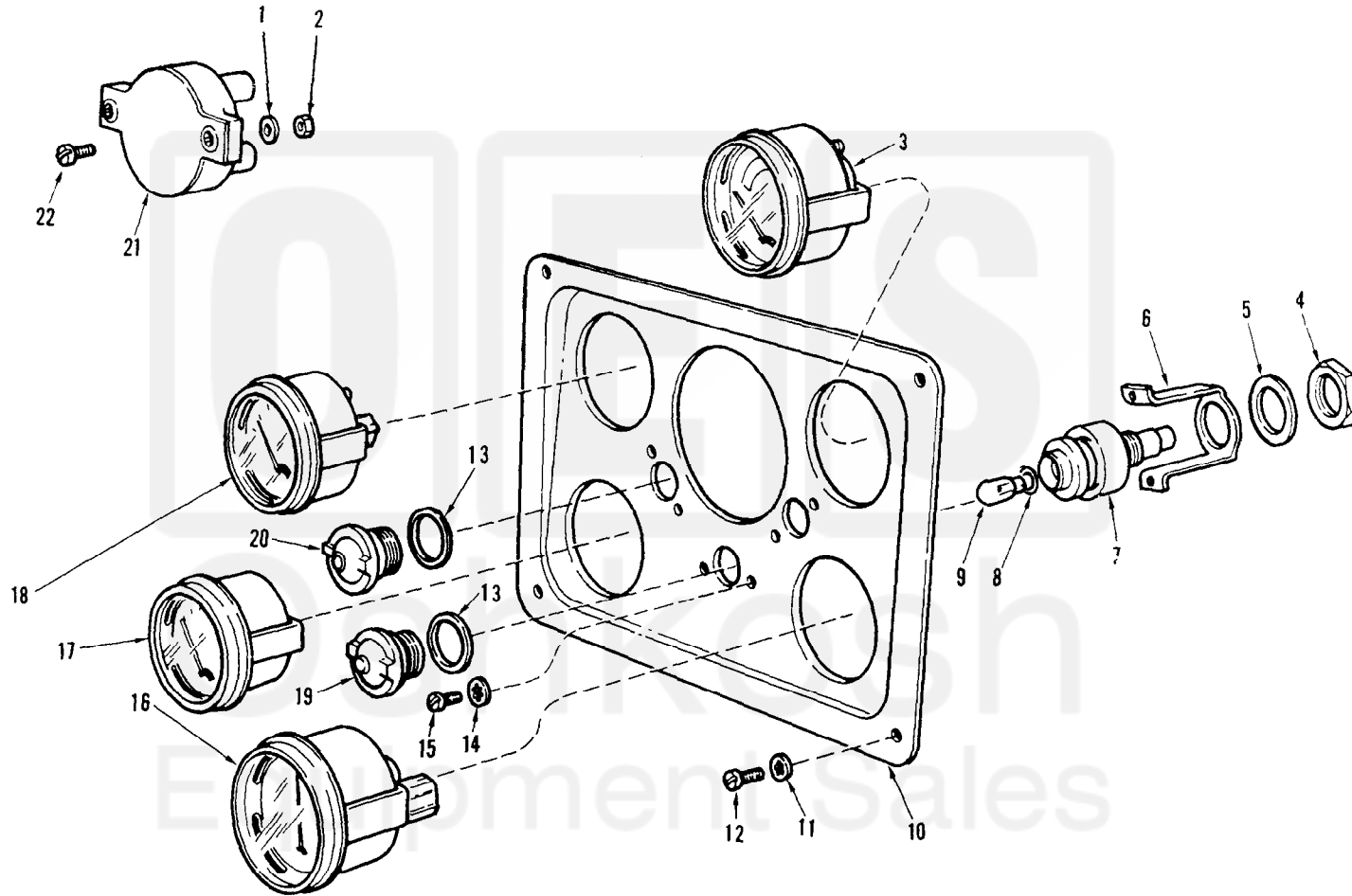


| (1)<br>SMR<br>Code  | (2)<br>Federal<br>Stock<br>Number | (3)<br>Description<br><br>Reference number & mfr Code | (4)<br>Unit<br>Of<br>Meas.   | (5)<br>Qty<br>Inc<br>In<br>Unit | (6)<br>15-day organizational<br>Maintenance alw |             |              |               | (7)<br>Illustration  |                    |     |
|---|-----------------------------------|---|--|---------------------------------|---|-------------|--------------|---------------|----------------------|--------------------|-----|
|   |                                   |   |  |                                 | (a)<br>1-5                                      | (b)<br>6-20 | (c)<br>21-50 | (d)<br>51-100 | (a)<br>Figure<br>No. | (b)<br>Item<br>No. |     |
| GROUP 0605, FIG. 6-6—Continued                            |                                   |   |  |                                 |   |             |              |               |                      |                    |     |
| C   | PAOZZ                             | 5360-168-7164   | SPRING: weight, 7059537 (19207)  | EA                              | 1   | *           | *            | *             | *                    | 6-6                | 26  |
| C   | XBOZZ                             |   | SCREW ASSEMBLED WASHER: condenser mounting, 455209 (21450)   | EA                              | 1   | *           | *            | *             | *                    | 6-6                | 27  |
| C   | PAOZZ                             | 5305-297-3278   | SCREW ASSEMBLED WASHER: No. 8-32 UNC-2A x 1 in. lg. distributor cap mounting, 455219 (21450)   | EA                              | 3   | *           | *            | *             | *                    | 6-6                | 28  |
| C   | PAOZZ                             | 5310-282-8866   | WASHER, FLAT: distributor terminal seal, 7374894 (19207)   | EA                              | 4   | *           | *            | *             | *                    | 6-6                | 29  |
| C   | PAOZZ                             | 5305-297-3273   | SCREW ASSEMBLED WASHER: distributor cover mounting 594224 (21450)  | EA                              | 6   | *           | *            | *             | *                    | 6-6                | 30  |
| N   | PAOZZ                             | 2920-772-2154   | CAM: distributor, IAU-1100RC (19728)   | EA                              | 1   | *           | *            | *             | *                    | 6-6                | 31  |
| N   | PAOZZ                             | 5310-530-7283   | WASHER, THRUST: upper, 5307283 (19207)   | EA                              | 1   | *           | *            | *             | *                    | 6-6                | 32  |
| Page 75 GROUP 0607  |                                   |   |  |                                 |   |             |              |               |                      |                    |     |
| N   | PAOZZ                             | 5310-934-9757   | NUT, PLAIN, HEXAGON: carb-s, cd-pltd, No. 8-32 UNC-2B, circuit breaker attaching, (6) for M151, M151A1, M151A1C and M718; (4) for M151A2, M718A1 and M825; MS35649-282 (96906) | EA                              | 10  | *           | *            | *             | *                    | 6-7                | 2   |
| DELETE NUT, PLAIN, HEXAGON, MS35649-82, FSN 5310-012-0622 |                                   |   |  |                                 |   |             |              |               |                      |                    |     |
| R   | PAOZZ                             | 5310-197-4508   | WASHER, indicator light, 7358625 (19207)   | EA                              | 3   | *           | *            | *             | *                    | 6-7                | 5   |
| R   | PAOZZ                             | 5340-119-3900   | BRACKET: indicator light mounting, 7358623 (19207)   | EA                              | 3   | *           | *            | *             | *                    | 6-7                | 6   |
| R   | PAOZZ                             | 6685-936-2139   | INDICATOR: temperature, electrical resistance, MS24543-2 (96906)   | EA                              | 1   | *           | *            | *             | *                    | 6-7                | 16  |
| R   | PAOZZ                             | 6680-933-3600   | INDICATOR, LIQUID QUANTITY: fuel, MS24544-2 (96906)  | EA                              | 1   | *           | *            | *             | *                    | 6-7                | 18  |
| R   | PAOZZ                             | 6210-299-5564   | LENS: indicator light, 7358622 (19207)   | EA                              | 1   | *           | *            | *             | *                    | 6-7                | 19  |
| R   | PAOZZ                             | 6210-337-7345   | LENS: instrument panel lights, 7358621 (19207)   | EA                              | 2   | *           | *            | *             | *                    | 6-7                | 20  |
| R   | PAOZZ                             | 2590-307-8856   | SWITCH ASSEMBLY, LIGHT: MS51113-1 (96906)  | EA                              | 1   | *           | *            | *             | *                    | 6-8                | 1   |
| N   | PAOZZ                             | 5305-614-3423   | SCREW, MACHINE: drilled fillister head, slotted, carb-s, cd-pltd, No. 8-32 UNC-2A x 3/8 in. lg. ignition switch lever, MS35265-43 (96906)                                      | EA                              | 1   | *           | *            | *             | *                    | 6-9                | 2   |
| Deleted FSN 5305-058-7639, SCREW, MACHINE (MS35267-43)    |                                   |   |  |                                 |   |             |              |               |                      |                    |     |
| N   | PAOZZ                             | 2920-179-4524   | PLATE, IGNITION SWITCH 8754667 (19207)   | EA                              | 1   | *           | *            | *             | *                    | 6-9                | 6   |
| C   | PAOZZ                             | 2510-229-5730   | COVER: headlight dimmer switch, 7345210 (19207)  | EA                              | 1   | *           | *            | *             | *                    | 6-10               | 4   |
| Page 83 GROUP 0608  |                                   |   |  |                                 |   |             |              |               |                      |                    |     |
| R   | PAOZZ                             | 5940-399-6676   | 6—TERMINAL: turn signal, 8338564 (19207)   | A                               | EA  | 6           | *            | *             | *                    | 6-11               | 1.1 |
| R   | PAOZZ                             | 5970-833-8562   | 6—SLEEVE: turn signal 8338562 (19207)  | A                               | EA  | 6           | *            | *             | *                    | 6-11               | 1.2 |
| C   | PAOZZ                             | 5305-042-3545   | 2—SCREW ASSEMBLED WASHER: turn signal, 423545 (24617)  | A                               | EA  | 2           | *            | *             | *                    | 6-11               | 1.7 |
| Page 85 GROUP 0609  |                                   |   |  |                                 |   |             |              |               |                      |                    |     |
| R   | PAOZZ                             | 5365-832-5650   | RING RETAINING: headlight lamp, 8741446 (19207)  | EA                              | 2   | *           | *            | *             | *                    | 6-12               | 2   |
| R   | PAOZZ                             | 6240-431-8341   | LAMP INCANDESCENT: headlight, sealed beam, 8741491 (19207)   | EA                              | 2   | *           | *            | *             | *                    | 6-12               | 3   |
| R   | PAOZZ                             | 5935-572-9180   | SHELL, SHIELD: headlight, 8338566 (19207)  | EA                              | 6   | *           | *            | *             | *                    | 6-12               | 17  |
| R   | PAOZZ                             | 5360-526-5530   | SPRING: lamp adjusting, 8741443 (19207)  | EA                              | 2   | *           | *            | *             | *                    | 6-12               | 19  |
| R   | PAOZZ                             | 6220-693-4175   | SPRING: lamp unit retaining, 7320711 (19207)   | EA                              | 3   | *           | *            | *             | *                    | 6-13               | 4   |

Current part is item (16) on diagram. Available at [www.oshkoshequipment.com](http://www.oshkoshequipment.com)

76



AT 39893

Figure 6-7. Instrument panel and related parts.

Current part is item (16) on diagram. Available at [www.oshkoshequipment.com](http://www.oshkoshequipment.com)