

PO	2920-358-7498	1-CONTACT SET IGS2224LB (19728)			*	*	*	*	*	*			39	15
PO	2920-640-7230	1-ROTOR, IGNITOR IAUI066 (19728)			*	*	*	*	*	*			39	16
PO	5910-667-5076	1-CONDENSER PACKAGE IAT3076DS (19728)			*	*	*	*	*	*			39	17
PO	2920-443-4834	TUBE, IGNITOR VENT 11657286 (19207)	EA	1	*	*	*	*	*	*			20	2
		0607-INSTRUMENT PANEL WASHER, LOCK, HARNESS MOUNTING 418123 (57733)	EA	1	*	*	*	*	*	*			40	1
PO	5310-752-6593	WASHER, HARNESS MOUNTING, OUTER 7526593 (19207)	EA	1	*	*	*	*	*	*			40	2
X20	2590-247-0016	HARNESS, WIRING INSTRUMENT CLUSTER 8376501 (19207)	EA	1	*	*	*	*	*	*			40	3
PO	2510-657-9746	FASTENER, CLUSTER TO INSTRUMENT PANEL 7533778 (19207)	EA	4	*	*	*	*	*	*			40	4
X20		PANEL, INSTRUMENT ASSEMBLY MS51399-2 (96906)	EA	1	*	*	*	*	*	*			40	5
PO	6685-936-2139	INDICATOR, TEMPERATURE MS24543-2 (96906)	EA	1	*	*	*	*	*	*			40	6
PO	5310-752-6591	NUT, PUSH ON, INSTRUMENT PANEL MOUNTING 7526591 (19207)	EA	4	*	*	*	*	*	*			40	7
PO	5325-757-1963	STUD, INSTRUMENT CLUSTER MOUNTING PLATE 7526590 (19207)	EA	4	*	*	*	*	*	*			40	8

Current part is item (6) on diagram. Available at www.oshkoshequipment.com

Current part is item (6) on diagram. Available at www.oshkoshequipment.com

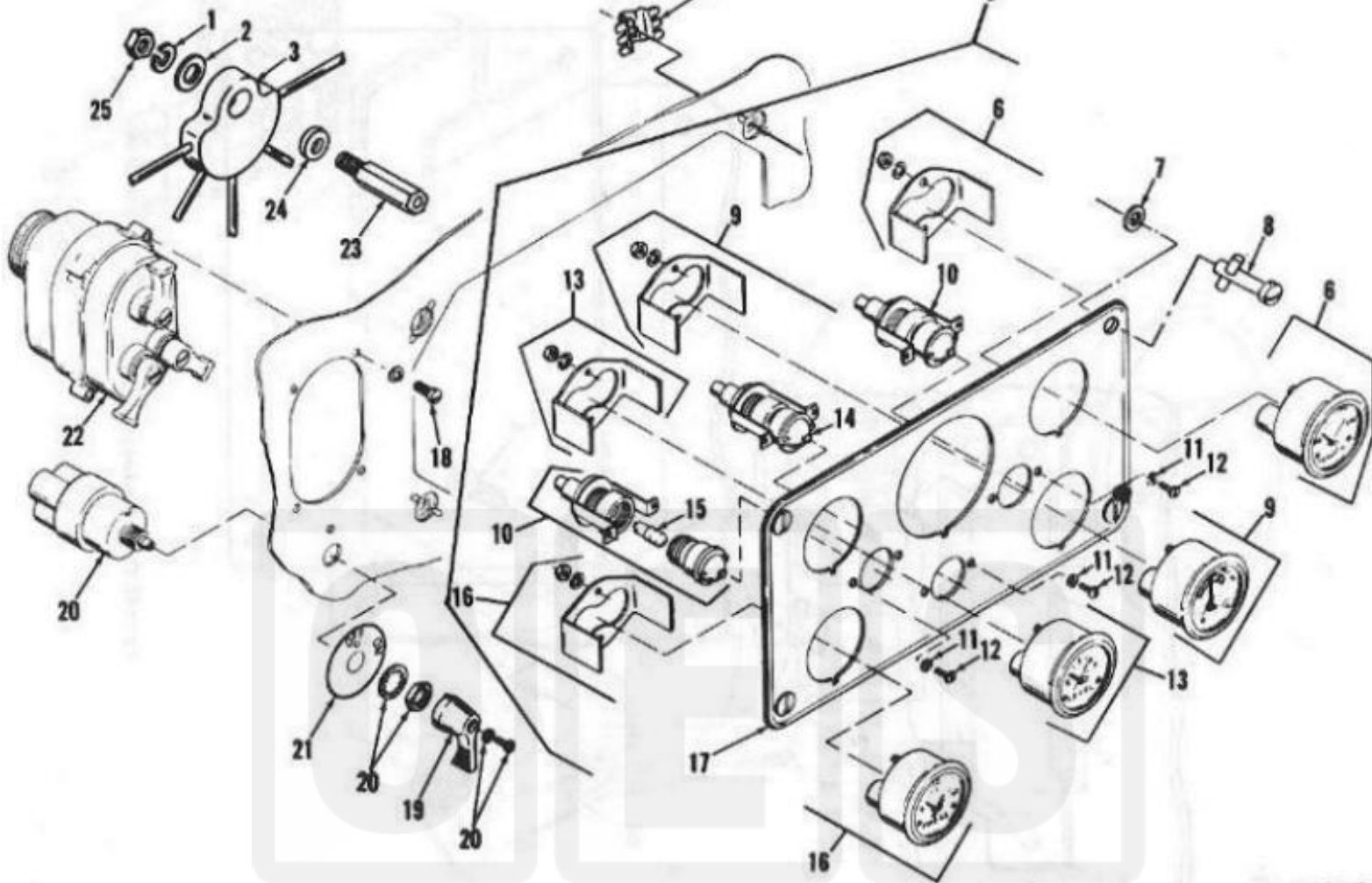


Figure 40: Instrument Cluster, Light Switch, and Ignition Switch

(1) SMR code	(2) Federal Stock Number	(3) Description Reference Number & Mfg. Code Usable on Code	(4) Qty Unit of meas	(5) inc in unit	(6) 30-day DS maint. allowance			(7) 30-day GS maint. allowance			(8) 1-yr alw per 100 equip cntgcy	(9) Depot maint alw per 100 equip	(10) Illustration	
					(a) 1-20	(b) 21-50	(c) 51-100	(a) 1-20	(b) 21-50	(c) 51-100			(a) Figure No.	(b) Item No.
		0607 INSTRUMENT PANEL Continued												
PO	6625-321-6365	INDICATOR, WITH CLAMP, BATTERY GENERATOR MS24532-2 (96906)	EA	1	*	*	*	*	*	*			40	9
PO	6210-699-9458	LAMP, PANEL ASSEMBLY 8376500 (19207)	EA	2	*	*	*	*	*	*			40	10
PO	5310-013-8530	WASHER, LOCK, PANEL LIGHTS MOUNTING MS35338-38 (96906)	EA	6	*	*	*	*	*	*			40	11
PO	5310-550-1130	SCREW, MACHINE, PANEL LIGHTS MOUNTING MS35223-41 (96906)	EA	6	*	*	*	*	*	*			40	12

Current part is item (6) on diagram. Available at www.oshkoshequipment.com