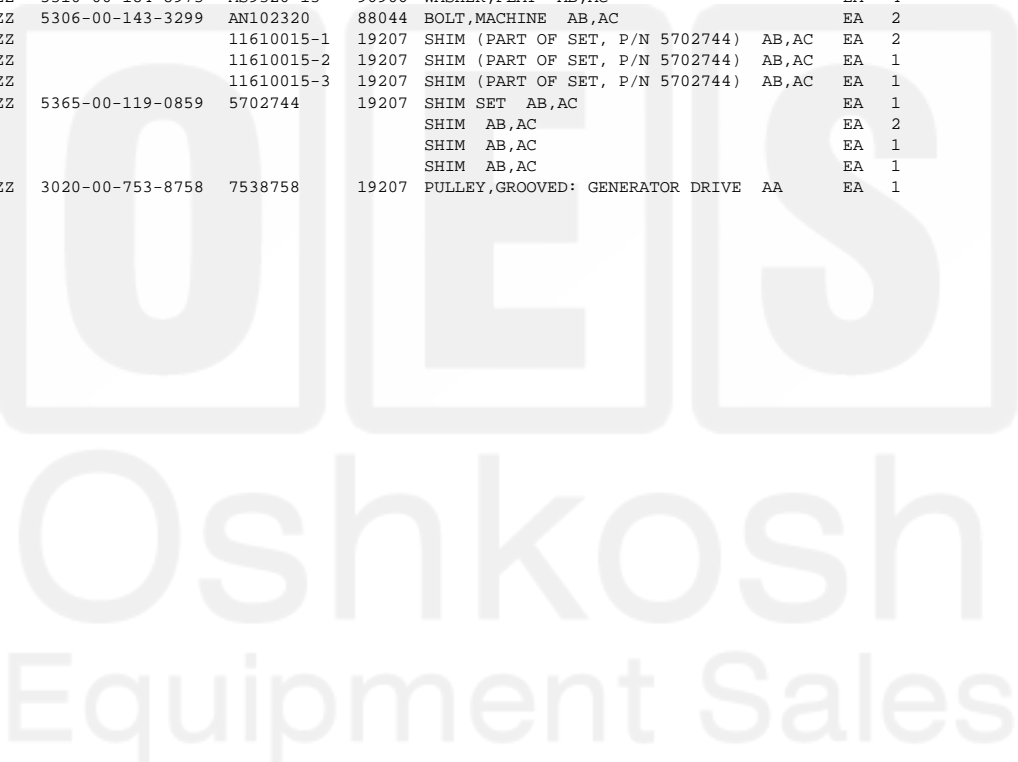
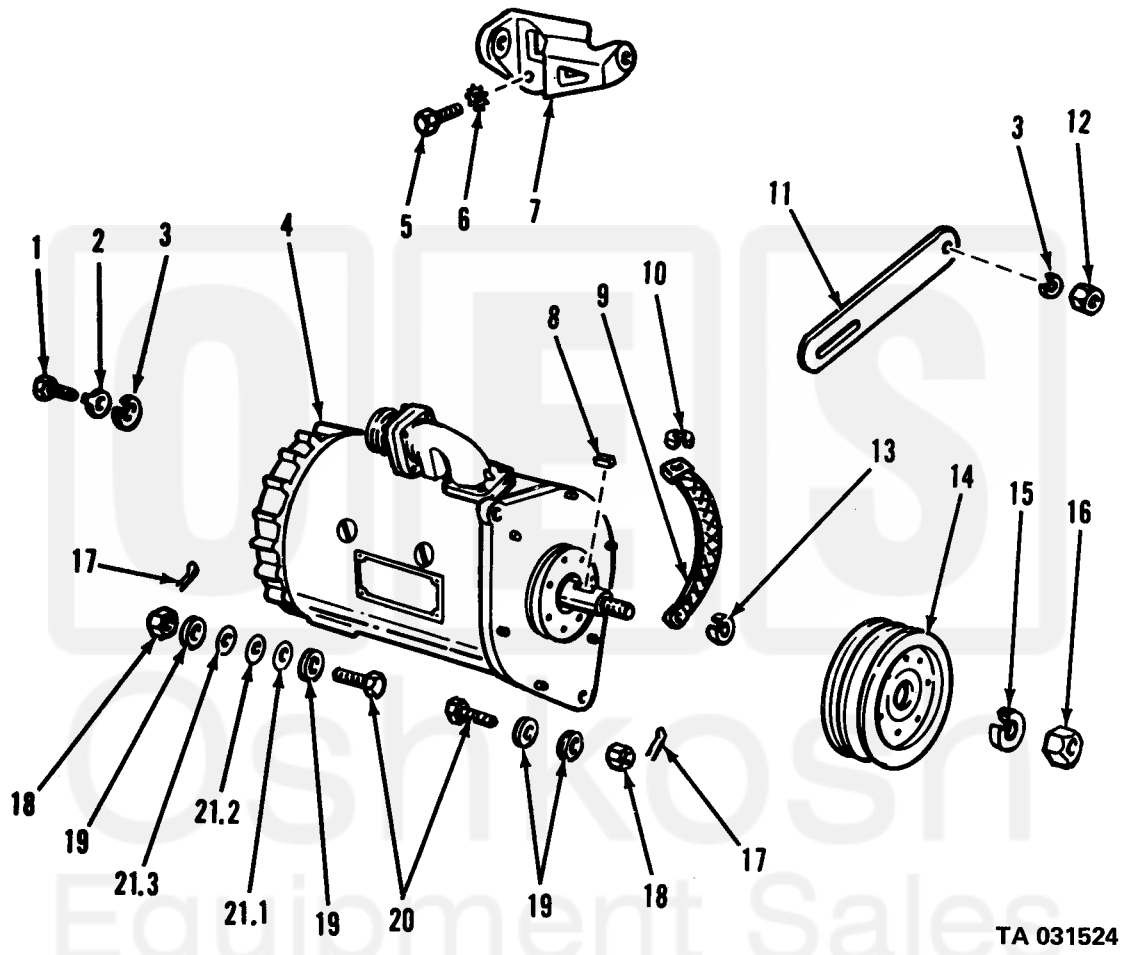


Current part is item (4) on diagram. Available at [www.oshkoshequipment.com](http://www.oshkoshequipment.com)

| (1)<br>(a)<br>FIG.<br>NO.                               | (2)<br>(b)<br>ITEM<br>NO. | (3)<br>SMR<br>CODE | (4)<br>NATIONAL<br>STOCK<br>NUMBER | (4)<br>PART<br>NUMBER | (5)<br>FSCM | (6)<br>DESCRIPTION<br>USABLE ON CODE  | (7)<br>U/M | (8)<br>INC<br>IN<br>UNIT |
|---------------------------------------------------------|---------------------------|--------------------|------------------------------------|-----------------------|-------------|---------------------------------------|------------|--------------------------|
| GROUP 06-ELECTRICAL SYSTEM<br>0601-GENERATOR,ALTERNATOR |                           |                    |                                    |                       |             |                                       |            |                          |
| 54                                                      | 1                         | PAOZZ              | 5305-00-269-3210                   | MS90725-59            | 96906       | SCREW,CAP,HEXAGON HEAD AB,AC          | EA         | 1                        |
| 54                                                      | 2                         | PAOZZ              | 5310-00-143-6488                   | 10871194              | 19207       | WASHER,KEY AB,AC                      | EA         | 1                        |
| 54                                                      | 3                         | PAOZZ              | 5310-00-959-4675                   | MS35340-46            | 96906       | WASHER,LOCK AB,AC                     | EA         | 2                        |
| 54                                                      | 4                         | PAOFF              | 2920-00-293-4380                   | 7355736               | 19207       | GENERATOR,ENGIN ACCESSORY AB,AC       | EA         | 1                        |
| 54                                                      | 4                         | PAOFF              | 2920-00-903-9534                   | 10950808              | 19207       | GENERATOR,ENGINE ACCESSORY AB,AC      | EA         | 1                        |
| 54                                                      | 5                         | PAOZZ              | 5305-00-050-1076                   | MS90725-89            | 96906       | SCREW,CAP,HEXAGON HEAD AB,AC          | EA         | 3                        |
| 54                                                      | 6                         | PAOZZ              | 5310-00-080-9785                   | MS45904-80            | 96906       | WASHER,LOCK AB,AC                     | EA         | 3                        |
| 54                                                      | 7                         | PAOZZ              | 2920-00-247-0000                   | 10889930              | 19207       | BRACKET,GENERATOR,MOTOR AB,AC         | EA         | 1                        |
| 54                                                      | 8                         | PAOZZ              | 5315-00-616-5526                   | MS35756-8             | 96906       | KEY,WOODRUFF AB,AC                    | EA         | 1                        |
| 54                                                      | 9                         | PAOZZ              | 6150-00-112-0236                   | 11610016              | 19207       | LEAD,ELECTRICAL AB,AC                 | EA         | 1                        |
| 54                                                      | 10                        | PAOZZ              | 5310-00-167-0721                   | MS35333-41            | 96906       | WASHER,LOCK AB,AC                     | EA         | 1                        |
| 54                                                      | 11                        | PAOZZ              | 5340-00-490-4134                   | 10898717              | 19207       | STRAP,RETAINING AB,AC                 | EA         | 1                        |
| 54                                                      | 12                        | PAOZZ              | 5310-00-732-0558                   | MS51967-8             | 96906       | NUT,PLAIN,HEXAGON AB,AC               | EA         | 1                        |
| 54                                                      | 13                        | PAOZZ              | 5310-00-193-7574                   | 373-1070-000          | 13499       | WASHER,LOCK AB,AC                     | EA         | 1                        |
| 54                                                      | 14                        | PAOZZ              | 3020-00-848-8405                   | 10889929              | 19207       | PULLEY,GROOVE AB,AC                   | EA         | 1                        |
| 54                                                      | 15                        | PAOZZ              | 5310-00-809-5998                   | MS27183-18            | 96906       | WASHER,FLAT AB,AC                     | EA         | 1                        |
| 54                                                      | 16                        | PAOZZ              | 5310-00-902-9369                   | MS21083N8             | 96906       | NUT,SELF-LOCKING AB,AC                | EA         | 1                        |
| 54                                                      | 17                        | PAOZZ              | 5315-00-939-0832                   | MS9245-46             | 96906       | PIN,COTTER AB,AC                      | EA         | 2                        |
| 54                                                      | 18                        | PAOZZ              | 5310-00-167-1288                   | AN310-7               | 88044       | NUT,PLAIN,CASTELLATED AB,AC           | EA         | 2                        |
| 54                                                      | 19                        | PAOZZ              | 5310-00-184-8973                   | MS9320-13             | 96906       | WASHER,FLAT AB,AC                     | EA         | 4                        |
| 54                                                      | 20                        | PAOZZ              | 5306-00-143-3299                   | AN102320              | 88044       | BOLT,MACHINE AB,AC                    | EA         | 2                        |
| 54                                                      | 21.1                      | KFOZZ              |                                    | 11610015-1            | 19207       | SHIM (PART OF SET, P/N 5702744) AB,AC | EA         | 2                        |
| 54                                                      | 21.2                      | KFOZZ              |                                    | 11610015-2            | 19207       | SHIM (PART OF SET, P/N 5702744) AB,AC | EA         | 1                        |
| 54                                                      | 21.3                      | KFOZZ              |                                    | 11610015-3            | 19207       | SHIM (PART OF SET, P/N 5702744) AB,AC | EA         | 1                        |
| 54                                                      |                           | PAOZZ              | 5365-00-119-0859                   | 5702744               | 19207       | SHIM SET AB,AC                        | EA         | 1                        |
| 54                                                      | 21.1                      |                    |                                    |                       |             | SHIM AB,AC                            | EA         | 2                        |
| 54                                                      | 21.2                      |                    |                                    |                       |             | SHIM AB,AC                            | EA         | 1                        |
| 54                                                      | 21.3                      |                    |                                    |                       |             | SHIM AB,AC                            | EA         | 1                        |
| 55                                                      | 1                         | PAOZZ              | 3020-00-753-8758                   | 7538758               | 19207       | PULLEY,GROOVED: GENERATOR DRIVE AA    | EA         | 1                        |



Current part is item (4) on diagram. Available at [www.oshkoshequipment.com](http://www.oshkoshequipment.com)



TA 031524

Figure 54. Generator and associated parts.