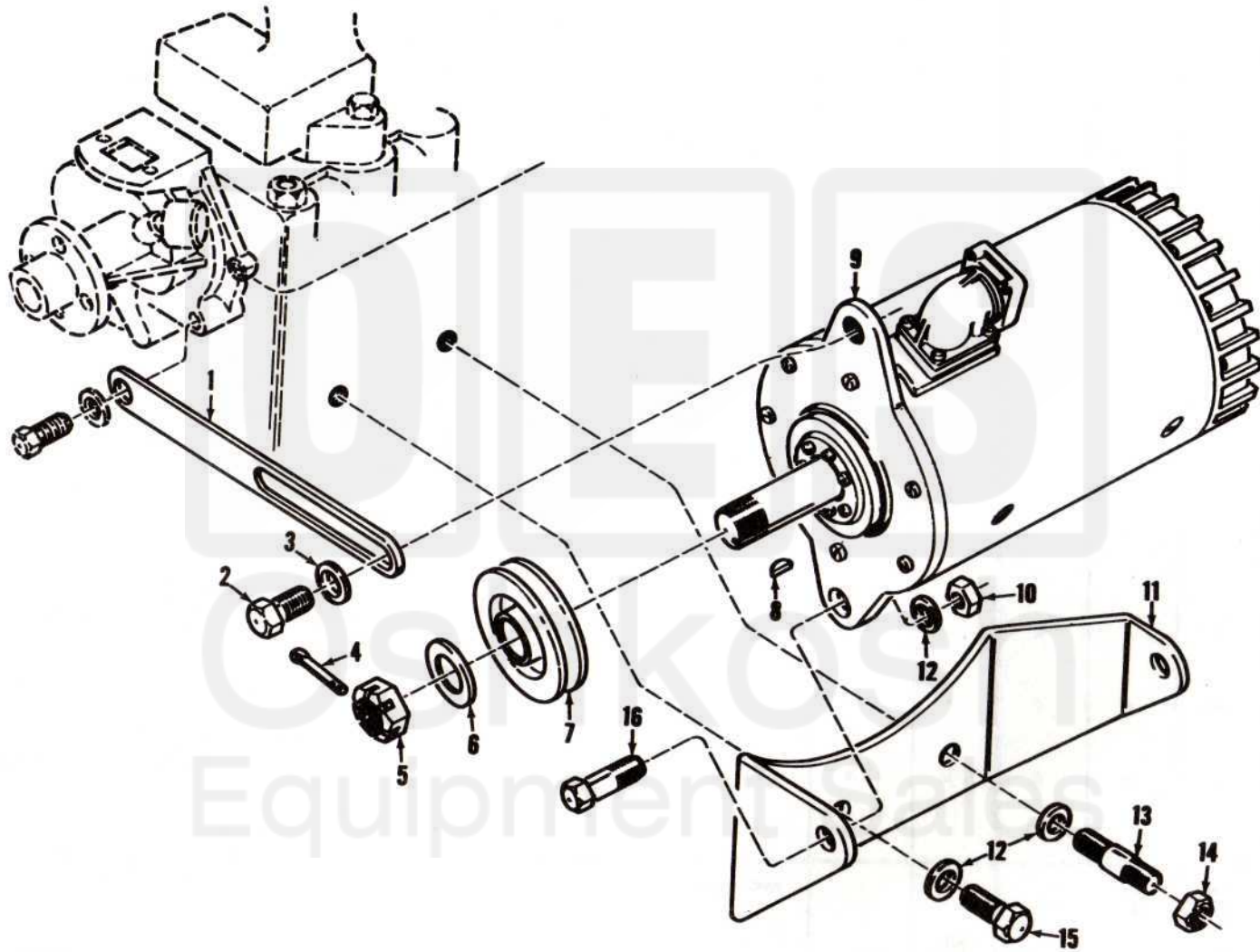


(1) SMR Code	(2) Federal Stock Number	(3) Description  Reference number & mfg. code      Usable on code	(4) Unit Of Meas.	(5) Qty Inc In Unit	(6) 15-day organizational Maintenance alw				(7) Illustration	
					(a) 1-5	(b) 6-20	(c) 21-50	(d) 51-100	(a) Figure No.	(b) Item No.
		<b>GROUP 06—ELECTRICAL SYSTEM</b>								
		<b>0601—GENERATOR</b>								
P-O	2920-737-4869	ARM, ADJUSTING: belt tension 7374869 (19207)	EA	1	*	*	*	*	18	1
P-O	5305-012-0233	SCREW, CAP: adjusting arm 120233 (21450)	EA	1	*	*	*	*	18	2
P-O	5310-737-4868	WASHER, LOCK: adjusting arm 7374868 (19207)	EA	1	*	*	*	*	18	3
P-O	5315-816-1794	PIN, COTTER: drive pulley (used with Generator FSN 2929-737-9534) MS24665-285 (96906)	EA	1	*	*	*	*	18	4
P-O	5310-012-5043	NUT, CASTELLATED: drive pulley (used with Generator FSN 2920-737-9534) MS21083N8 (96906)	EA	1	*	*	*	*	18	5
P-O	5310-902-9369	NUT, SELF-LOCKING, HEXAGON: drive pulley (used with Generator FSN 2920-293-4380) 453327 (24617)	EA	1	*	*	*	*	18	5
P-O	5310-584-5272	WASHER, LOCK: drive pulley (used with Generator FSN 2920-737-9534) MS35338-48 (96906)	EA	1	*	*	*	*	18	6
P-O	5310-809-5998	WASHER, FLAT: drive pulley (used with Generator FSN 2920-293-4380) MS27183-18 (96906)	EA	1	*	*	*	*	18	6
P-O	2920-737-4744	PULLEY, GROOVE: drive 7374744 (19207)	EA	1	*	*	*	*	18	7
P-O	5315-616-5526	KEY, WOODRUFF: drive pulley MS35756-8 (96906)	EA	1	*	*	*	*	18	8
P-O-R	2920-903-9534	GENERATOR, ENGINE ACCESSORY: without pulley, assembly (optional with Generator, FSN 2920-293-4380) 10950808 (19207)	EA	1					18	9



AT 40615

Figure 18. Generator.