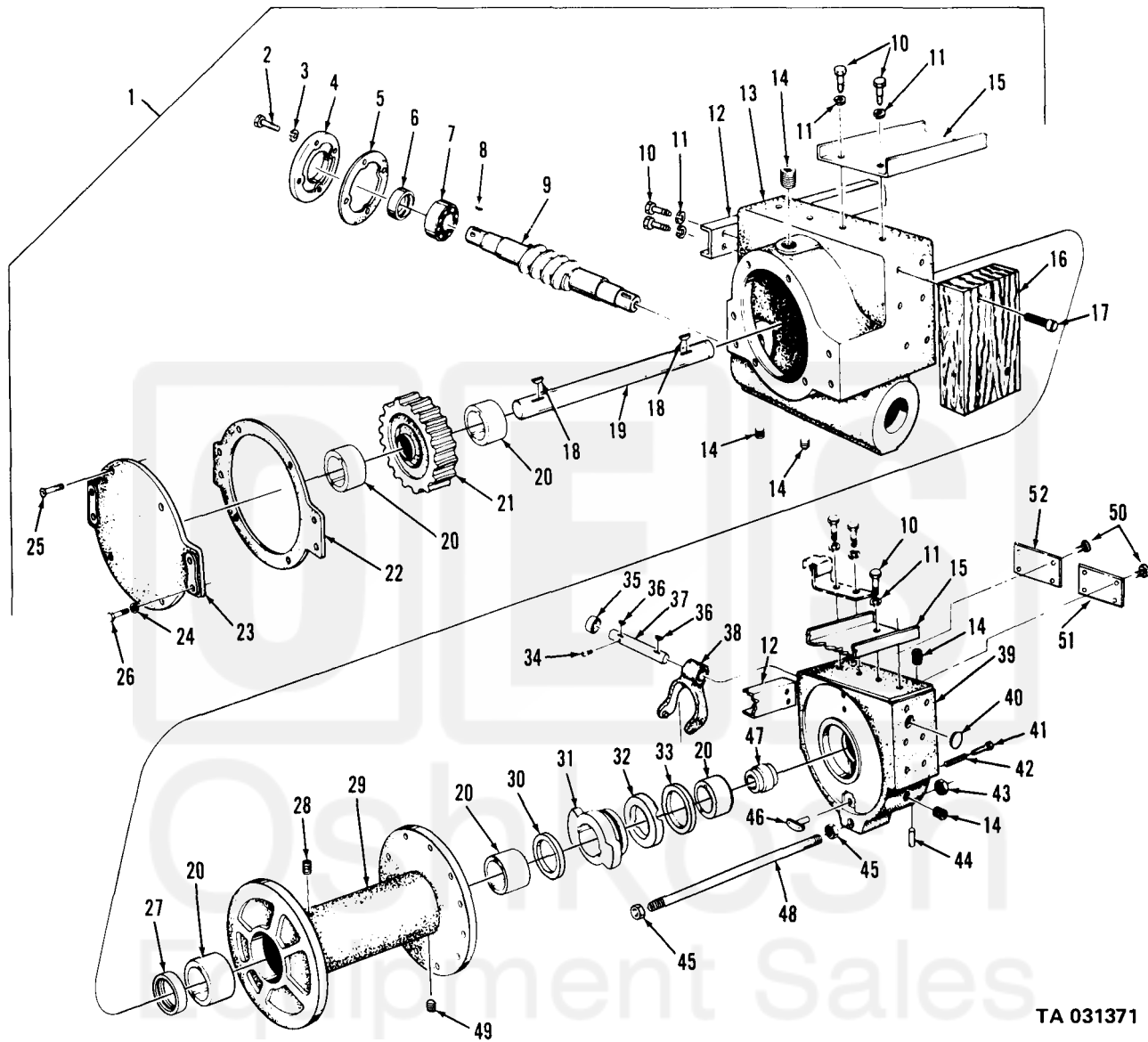


(1)	(2)	(3)	(4)	(5)	(6)	(7)	(8)
ILLUS.							QTY
(a)	(b)	SMR	NATIONAL	PART		DESCRIPTION	U/M
FIG.	ITEM	CODE	STOCK	NUMBER	FSCM		INC
NO.	NO.		NUMBER			USABLE ON CODE	IN
							UNIT
						2001-HOIST,CAPSTAN,WINDLASS,CRANE OR WINCH ASSEMBLY (CONT'D)	
275	1	PAFFH	2590-00-351-7865	7954486	19207	WINCH,DRUM,VEHICLE: REAR MOUNTED (M756A2)	EA 1
275	2	PAFZZ	5305-00-782-9494	MS90725-114	96906	SCREW,CAP,HEXAGON HEAD: WORM DRIVE END BEARING RETAINING PLATE (M756A2)	EA 4
275	3	PAFZZ	5310-00-584-5272	MS35338-48	96906	WASHER,LOCK: WORM DRIVE END BEARING REETAINING PLATE (M756A2)	EA 4
275	4	PAFZZ	3110-00-740-9809	7409809	19207	CAP,RETAINING: WORM DRIVE END BEARING (M756A2)	EA 1
275	5	PAFZZ	5330-00-057-3823	7409822	19207	GASKET: WORM DRIVE,END BEARING RETAINING PLATE (M756A2)	EA 1
275	6	PAFZZ	5330-00-286-8149	500094	21450	SEAL, PLAIN,ENCASED: WORM DRIVE SHAFT (M756A2)	EA 2
275	7	PAFZZ	3110-00-554-3929	700287	21450	BEARING,BALL: WORM DRIVE SHAFT (M756A2)	EA 1
275	8	PAFZZ	5315-00-281-7652	8327444	19207	KEY, MACHINE, GEAR: WORM, DRUM DRIVE, BEARING END (M756A2)	EA 2
275	9	PAFZZ	2590-00-231-0219	7954478	19207	WORM,DRUM DRIVE: LH (M756A2)	EA 1
275	10	PAFZZ	5305-00-880-4012	MS90725-185	96906	SCREW, CAP, HEXAGON HEAD: REAR AND TOP TENSION CHANNEL (M756A2)	EA 4
275	11	PAFZZ	5310-00-584-7888	MS35338-51	96906	WASHER,LOCK:REAR AND TOP TENSION CHANNEL (M756A2)	EA 4
275	12	PAFZZ	9520-00-740-9812	7409812	19207	CHANNEL,TENSION TIE: REAR (M756A2)	EA 1
275	13	PAFZZ	2590-00-405-1931	7954484	19207	CASE,GEAR (M756A2)	EA 1
275	14	PAOZZ	4730-00-278-3380	MS49005-10	96906	PLUG, PIPE,3-GEAR CASE, 4-FRAME (M756A2)	EA 7
275	15	PAFZZ	2520-00-740-9813	7409813	19207	CHANNEL, TENSION TIE: TOP (M756A2)	EA 1
275	16	MFFZZ		11647844	19207	BLOCK, WINCH: WOOD (MFD FROM WOOD, P/N MILW39126CLA3X4-3-8-X8-3-4 (81349)	EA 2
275	17	PAFZZ	5305-00-983-7481	MS16997-172	96906	SCREW, CAP, SOCKET HEAD, HEXAGON: FOR WINCH BLOCK (M756A2)	EA 4
275	18	PAFZZ	5315-00-281-7650	8327443	19207	KEY, MACHINE: SLIDING CLUTCH DRUM (M756A2)	EA 2
275	19	PAFZZ	2520-00-921-0478	7954473	19207	SHAFT, DRUM (M756A2)	EA 1
275	20	PAFZZ	3120-00-740-9800	7409800	19207	BEARING, SLEEVE: DRUM SHAFT (M756A2)	EA 5
275	21	PAFZZ	3020-00-740-9823	7409823	19207	GEAR, WORM WHEEL: DRUM SHAFT (M756A2)	EA 1
275	22	PAFZZ	5330-00-740-9821	7409821	19207	GASKET: GEAR CASE COVER NONMETALLIC (M756A2)	EA 1



TA 031371

Figure 275. Rear winch basic assembly (M756A2 truck).