

Current part is item (19) on diagram. Available at www.oshkoshequipment.com

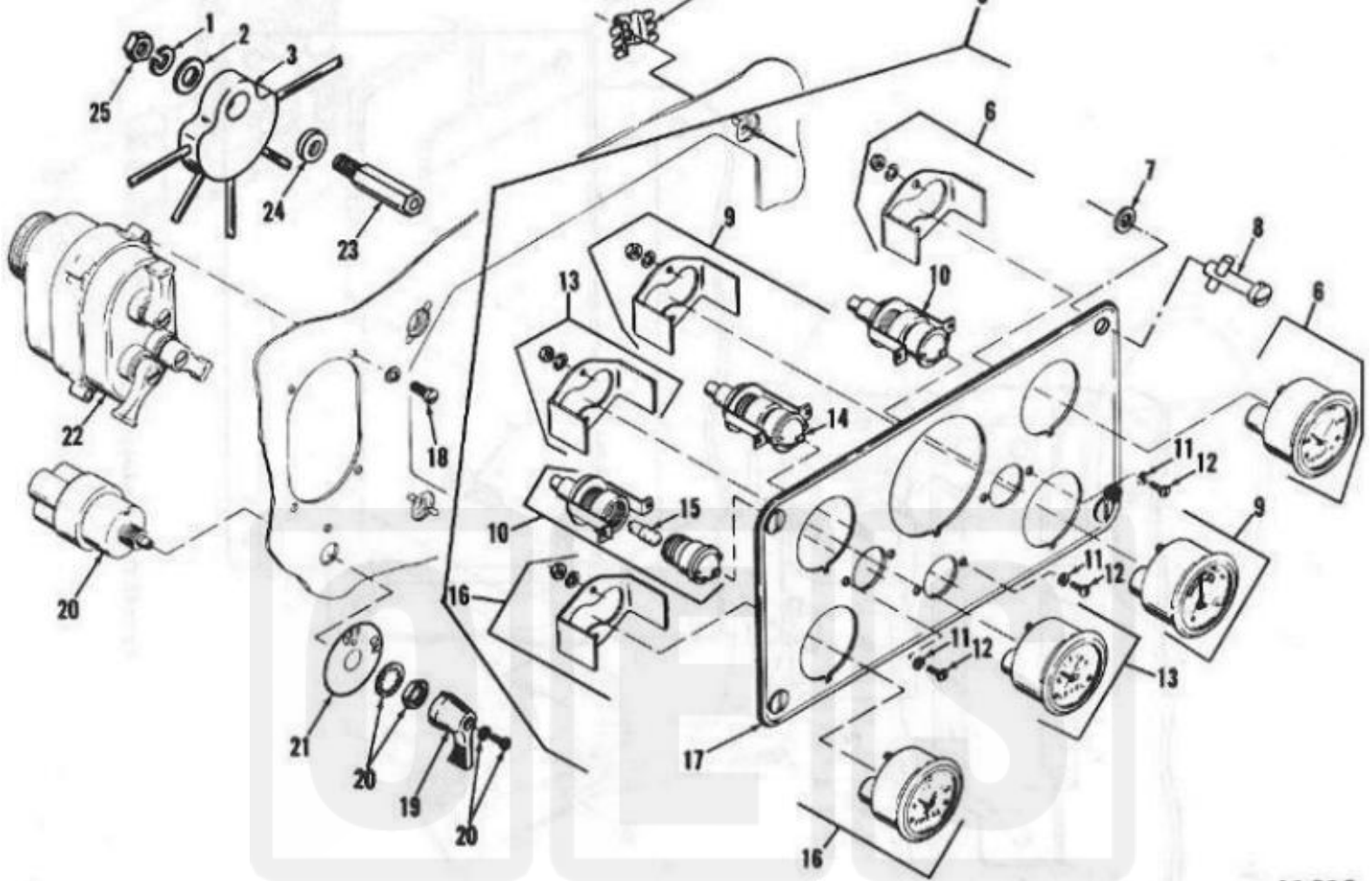


Figure 40: Instrument Cluster, Light Switch, and Ignition Switch

Page 106

(1) SMR code	(2) Federal Stock Number	(3) Description Reference Number & Mfg. Code Usable on Code	(4) Qty Unit of meas	(5) inc in unit	(6) 30-day DS maint. allowance			(7) 30-day GS maint. allowance			(8) 1-yr alw per 100 equip cntgcy	(9) Depot maint alw per 100 equip	(10) Illustration	
					(a) 1-20	(b) 21-50	(c) 51-100	(a) 1-20	(b) 21-50	(c) 51-100			(a) Figure No.	(b) Item No.
		0607 INSTRUMENT PANEL Continued												
PO	6625-321-6365	INDICATOR, WITH CLAMP, BATTERY GENERATOR MS24532-2 (96906)	EA	1	*	*	*	*	*	*			40	9
PO	6210-699-9458	LAMP, PANEL ASSEMBLY 8376500 (19207)	EA	2	*	*	*	*	*	*			40	10
PO	5310-013-8530	WASHER, LOCK, PANEL LIGHTS MOUNTING MS35338-38 (96906)	EA	6	*	*	*	*	*	*			40	11
PO	5310-550-1130	SCREW, MACHINE, PANEL LIGHTS MOUNTING MS35223-41 (96906)	EA	6	*	*	*	*	*	*			40	12

Current part is item (19) on diagram. Available at www.oshkoshequipment.com

PO	6680-933-3600	INDICATOR WITH CLAMP LIQUID QUANTITY MS24544-2 (96906)	EA	1	*	*	*	*	*	*			40	13
PO	6210-699-9457	LAMP, HI-BEAM, INDICATOR ASSEMBLY 8376499 (19207)	EA	1	*	*	*	*	*	*			40	14
PO	6240-266-9940	LAMP, INCANDESCENT, INSTRUMENT CLUSTER PANEL, (24 VOLT) 454732(24617)	EA	3	*	*	*	*	*	*			40	15
PO	6620-938-8212	INDICATOR, OIL PRESSURE MS24541-2 (96906)	EA	1	*	*	*	*	*	*			40	16
X20		PLATE, INSTRUMENT PANEL 119956-N (00000)	EA	1	*	*	*	*	*	*			40	17
PO	5305-285-5295	SCREW, LIGHT SWITCH MOUNTING 454787 (24617)	EA	4	*	*	*	*	*	*			40	18
X20		LEVER, IGNITION SWITCH WITH WASHER 5381088(19207)	EA	1	*	*	*	*	*	*			40	19
PO	5930-699-9438	SWITCH, IGNITION MS39060-2 (96906)	EA	1	*	*	*	*	*	*			40	20
PO	2590-741-2641	PLATE, IGNITION SWITCH 7368523 (19207)	EA	1	*	*	*	*	*	*			40	21

(1) SMR code	(2) Federal Stock Number	(3) Description Reference Number & Mfg. Code Usable on Code	(4) Unit of meas	(5) Qty inc in unit	(6) 30-day DS maint. allowance			(7) 30-day GS maint. allowance			(8) 1-yr alw per 100 equip cntgcy	(9) Depot maint alw per 100 equip	(10) Illustration	
					(a)	(b)	(c)	(a)	(b)	(c)			(a) Figure No.	(b) Item No.
		0607 INSTRUMENT PANEL Continued												
PO	5930-307-8856	SWITCH. ASSEMBLY LIGHT MS51113-1 (96906)	EA	1	*	*	*	*	*	*			40	22
PO	5307-752-6594	STUD, CLUSTER HARNESS MOUNTING 7526594 (19207)	EA	1	*	*	*	*	*	*			40	23
PO	5310-619-5529	WASHER, HARNESS MOUNTING. INNER 7526592 (19207)	EA	1	*	*	*	*	*	*			40	24
PO	5310-934-9758	NUT, PLAIN, HEX, INSTRUMENT PANEL HARNESS MS35649-202 (96906)	EA	1	*	*	*	*	*	*			40	25
		0608-- MISCELLANEOUS ITEMS												
PO	5305-984-6210	SCREW, CIRCUIT BREAKER BRACKET MS35206-263 (96906) CA	EA	2	*	*	*	*	*	*			41	1