

FIG.99 FIXED WORKLAMP - M983 AND M984

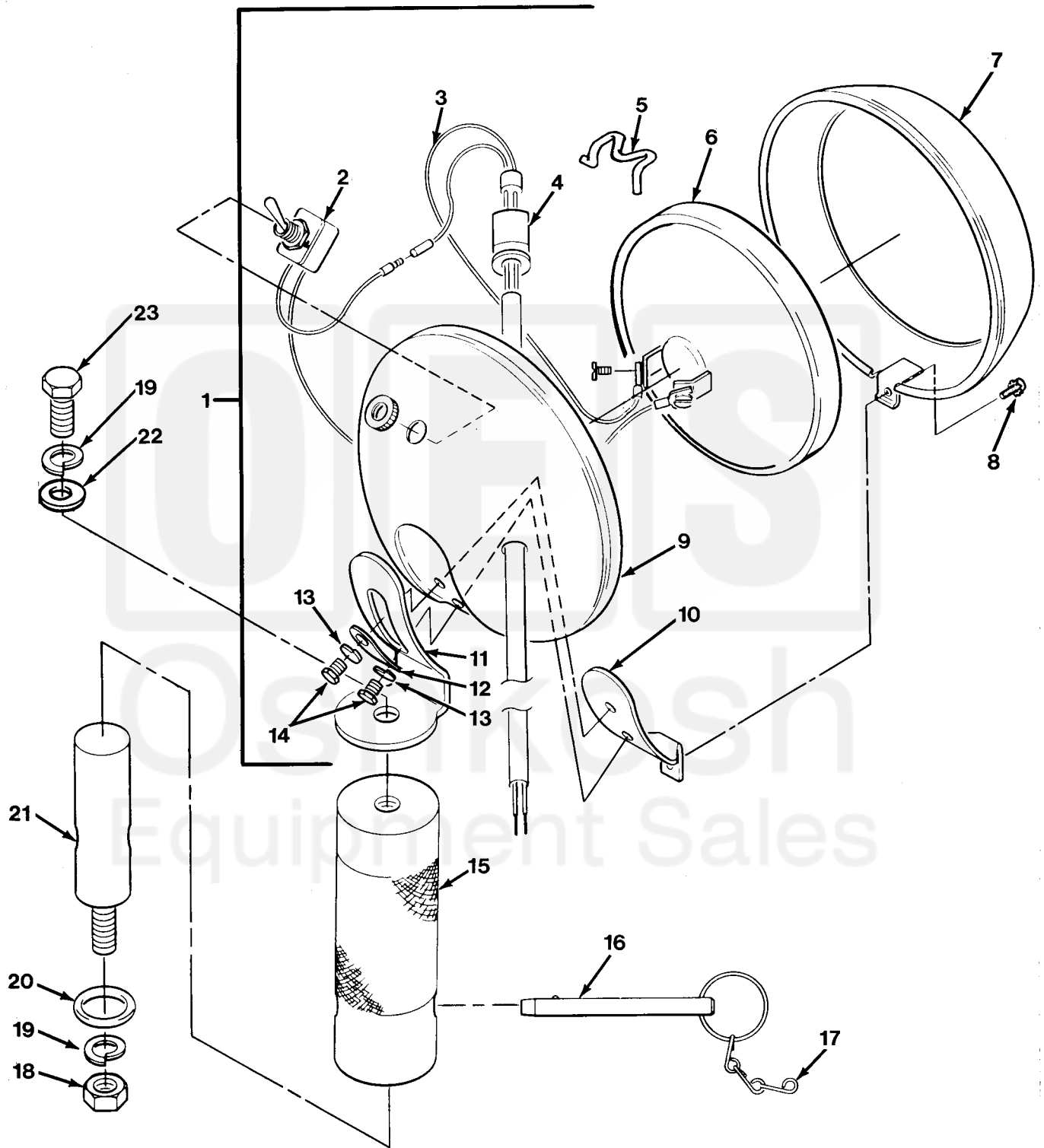


FIG.100 REMOVABLE WORKLAMP - M983 AND M984

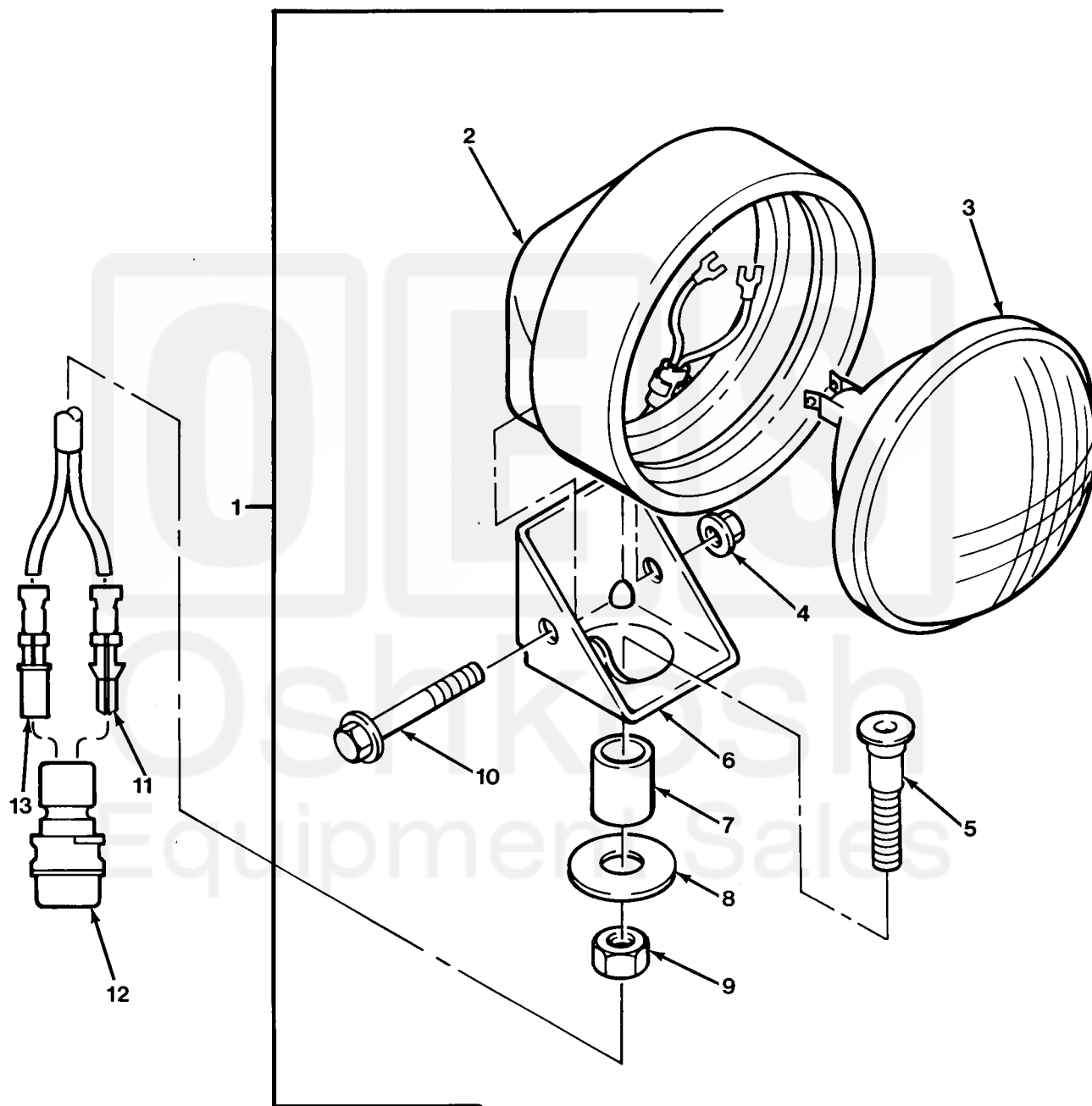


FIG.101 FIXED WORKLAMP - M984A1

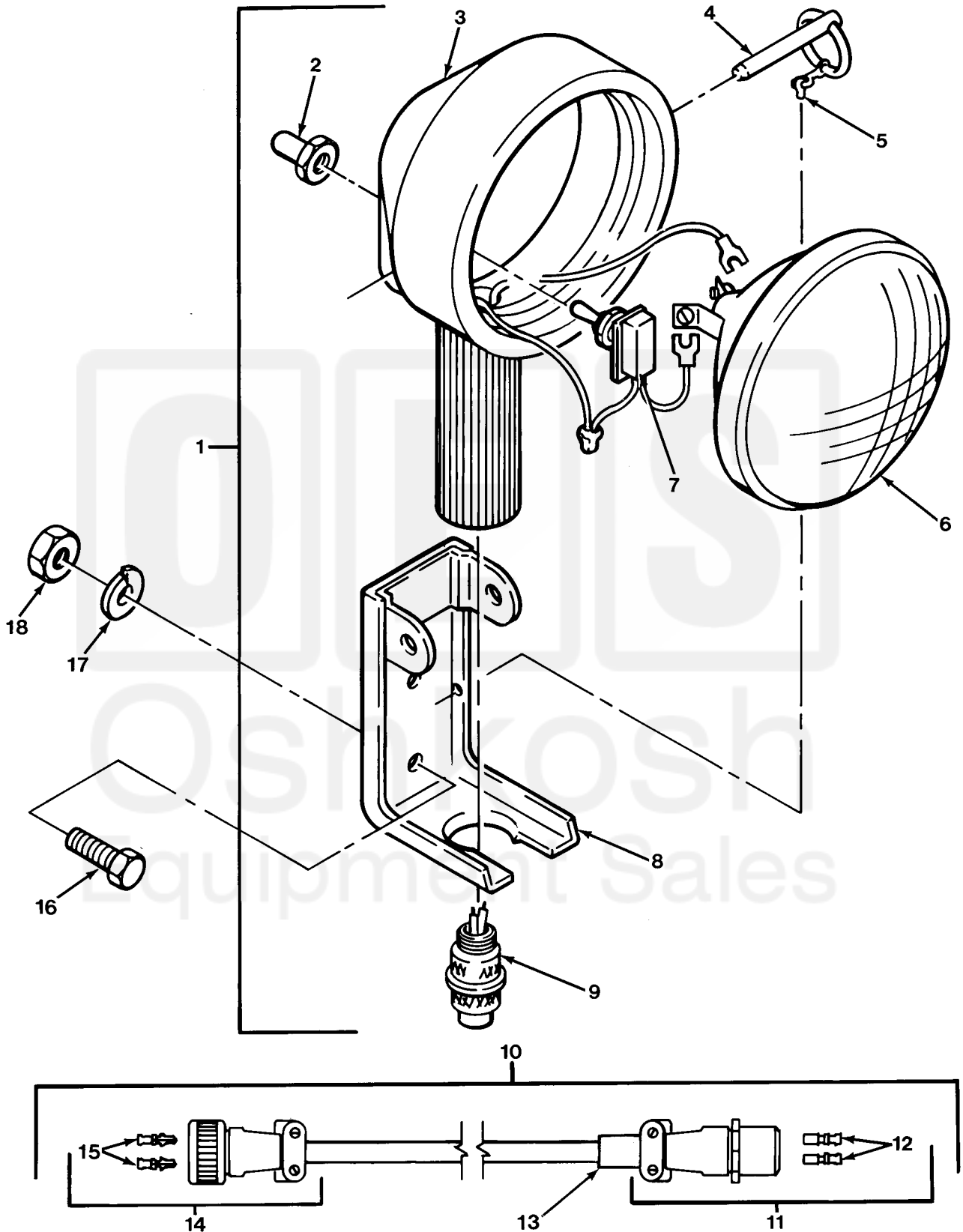


FIG.102 REMOVABLE WORKLAMP - M984A1