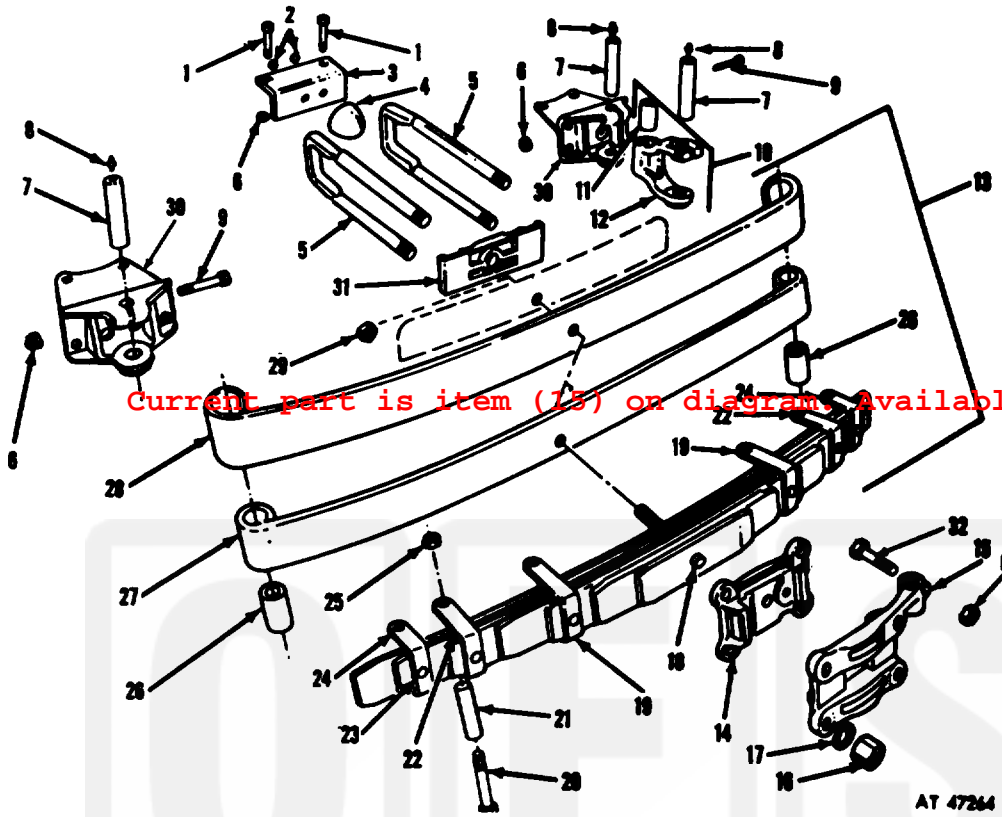


(1)	(2)	(3)	(4)	(5)	(6)	(7)	(8)	(9)	(10)	(11)	(12)	(13)	
SMR Code	Federal Stock Number	DESCRIPTION	Reference Number & Mfr. Code	Usable On Code	of meas	inc. allowance	allowance	allowance	allowance	per alw	maint	Item No.	
					in					100	per	(a)	
					Unit					equip	Figure	(b)	
										cnt-	equip	No.	
										1-20	21-50	51-100	
										(1-20)	21-50	51-100	
										(gcy)			
X2-O		1601-SPRINGS-CONTINUED BRACKET: 7992548 (19207)		A	EA	2	*	*	*	*	*	123	3
P-O	5340-740-93	BUMPER,RUBBER: 7409335 (19207)		A	EA	2	*	*	*	*	*	123	4
P-O	5306-515-54	BOLT,U:FRONT SPRING 8741540 (19207)		A	EA	4	*	*	*	*	*	123	5
P-O	5306-840-24	BOLT,U:FRONT SPRING 8402424 (19207)		A	EA	4	*	*	*	*	*	123	5
P-O	5310-062-49	NUT,PLAIN,HEXAGON:HANGER MS21045-8 (96906)		A	EA	2	*	*	*	*	*	123	6
P-O	2510-741-23	PIN,VEHICULAR LEAF:SPRING TO HANGER (2), UPPER SHACKLE (2), LOWER SHACKLE (2) 7412376 (19207)		A	EA	6	*	*	*	*	*	123	7
P-O	4730-050-42	FITTING,LUBRICATION: MS15003-1 (96906)		A	EA	6	*	*	*	*	*	123	8
P-O	5305-246-65	SCREW,CAP,HEXAGON:HANGER SPRING MS90726-120 (96906)		A	EA	2	*	*	*	*	*	123	9
P-O	2510-740-93	SHACKLE ASSEMBLY: 7409344 (19207)		A	EA	2	*	*	*	*	*	123	10
P-O	3120-770-29	BEARING,SLEEVE:SPRING EYE AND SHACKLE (4) 7702941 (19207)		A	EA	8	*	*	*	*	*	123	11
X2-O		SHACKLE:SPRING 1081273 (19207)		A	EA	2	*	*	*	*	*	123	12
P-O	2510-741-11	SPRING,ASSEMBLY,LEAF: 7411110 (19207)		BE,IA	EA	2	*	*	*	*	*	123	13
P-O	2510-385-79	SPRING ASSEMBLY,LEAF: 8402437 (19207)		LA,MA	EA	2	*	*	*	*	*	123	13
P-O	2510-740-93	SPRING ASSEMBLY,LEAF: 7409345 (19207)		A(EXCEPT BE)	EA	2	*	*	*	*	*	123	13
X2-O		SEAT:LOWER 7409342 (19207)		A	EA	2	*	*	*	*	*	123	14
P-O	2510-740-93	PLATE,CLAMP:LEFT SPRING 7409340 (19207)		A	EA	1	*	*	*	*	*	123	15
P-O	2510-740-93	PLATE,CLAMP:RIGHT SPRING 7409341 (19207)		A	EA	1	*	*	*	*	*	123	15
P-O	5310-275-82	NUT,PLAIN,HEXAGON:CLAMP PLATE A298551 (19207)		A	EA	8	*	*	*	*	*	123	16
P-O	5310-013-11	WASHER,LOCK:CLAMP PLATE MS35339-33 (96906)		A	EA	8	*	*	*	*	*	123	17



Current part is item (15) on diagram. Available at [www.oshkoshequip.com](http://www.oshkoshequip.com)

Figure 123. Front spring assembly and related parts.

Current part is item (15) on diagram. Available at [www.oshkoshequip.com](http://www.oshkoshequip.com)