

(1)	(2)	(3)	(4)	(5)	(6)	(7)	(8)
ILLUS.							QTY
(a)	(b)	SMR	NATIONAL	PART		DESCRIPTION	U/M
FIG.	ITEM	CODE	STOCK	NUMBER	FSCM		INC
NO.	NO.		NUMBER			USABLE ON CODE	IN
							UNIT
						1801-BODY, CAB, HOOD, AND HULL ASSEMBLIES (CONT'D)	
133	5	PAFZZ	5310-00-809-3078	MS27183-11	96906	WASHER, LOCK	EA 42
133	6	PAFZZ	5305-00-068-0502	MS90725-6	96906	SCREW, CAP, HEXAGON HEAD	EA 28
133	7	XAFZZ		7085313	19207	ROOF ASSEMBLY	EA 1
133	8	PAFZZ	9390-00-040-1967	7085335	19207	RUBBER, SPECIAL: TOP WINDSHIELD FRAME	EA 1
133	9	PAFZZ	5330-00-040-1968	7085352	19207	SEAL, RUBBER, SPECIAL	EA 2
133	10	PBFZZ	2510-00-087-3476	7085376	19207	SASH ASSEMBLY	EA 1
133	10	PBFZZ	2510-00-027-2075	7085377	19207	SASH ASSEMBLY	EA 1
133	11	PAFZZ	5310-00-934-9751	MS35650-302	96906	NUT	EA 22
133	12	PAFZZ	5305-00-989-7434	MS35207-263	96906	SCREW, MACHINE	EA 22
133	13	PAFZZ	5310-00-596-7691	MS35335-32	96906	WASHER, LOCK	EA 22
133	14	PAFZZ	9390-00-040-1962	7085258	19207	RUBBER, SPECIAL: REAR SIDES, LEFT HAND, RUBBER	EA 1
133	15	PAFZZ	2510-00-453-5351	7085257	19207	RETAINER	EA 4
133	16	PAFZZ	5305-00-052-6905	MS24627-31	96906	SCREW	EA 2
133	17	PAFZZ	5310-00-493-3986	7085367	19207	CLIP	EA 2
133	18	PAFZZ	2540-00-878-3487	7085368	19207	PANEL ASSEMBLY	EA 1
133	19	PBFZZ	2510-00-753-9659	7539659	19207	BRACKET: FRONT GUN MOUNT, OUTER	EA 1
133	19.1	PAOZZ	5305-00-761-4227	MS90726-111	96906	BOLT	EA 2
133	19.2	PAOZZ	5310-00-067-9507	MS51922-37	96906	NUT: SELF-LOCKING	EA 2
133	19.3	PAOZZ	5306-00-042-5859	425859	21450	BOLT	EA 1
133	20	PBFZZ	2510-00-753-9659	7539659	19207	BRACKET: REAR GUN MOUNT	EA 2
133	21	PBFZZ	2510-00-418-0764	7539658	19207	BRACKET: FRONT GUN MOUNT, INNER	EA 1
13	1	PAOOO	1510-00-737-3294	7373294	19207	DOOR: INCLUDES GLASS, HANDLES, LOCK RIGHT, AND REGULATOR (COMPONENTS SAME AS DOOR, NSN 2510-00-737-3293, EXCEPT WHERE INDIVIDUAL COMPONENTS ARE ANNOTATED)	EA 1
134	1	PAOOO	2510-00-737-3293	7373293	19207	DOOR: LEFT INCLUDES GLASS HANDLES, LOCK, AND REGULATOR	EA 1
134	2	PAOZZ	5305-00-068-0506	MS90726-6	96906	SCREW, CAP, HEXAGON HEAD	EA 6
134	3	PAOZZ	2510-00-693-0604	7373299	19207	COVER, PLATE, ACCESS	EA 2
134	4	PAOZZ	2510-00-650-1015	7529305	19207	FRAME, DOOR: RIGHT (COMPONENTS SAME AS FRAME, NSN 2510-00-674-4487, EXCEPT AS ANNOTATED)	EA 1
134	4	PAOZZ	2510-00-674-4487	7529304	19207	FRAME, DOOR LEFT	EA 1
134	5	PAOZZ	5305-00-052-9955	MS24619-22	96906	SCREW, TAPPING, THREAD FORMING: GLASS AND UPPER AND SIDE FRAME TO LOWER CHANNEL	EA 4
134	6	PAOZZ	2510-00-737-3295	7373295	19207	FRAME: DOOR GLASS WELDED	EA 1
134	7	PAOZZ	5620-00-621-2561	7529307	19207	SAFETY GLASS: DOOR GLASS	EA 1
134	8	PAOZZ	9390-00-737-3300	7373300	19207	RUBBER CHANNEL: CAB DOOR GLASS FRAME RUBBER	EA 1

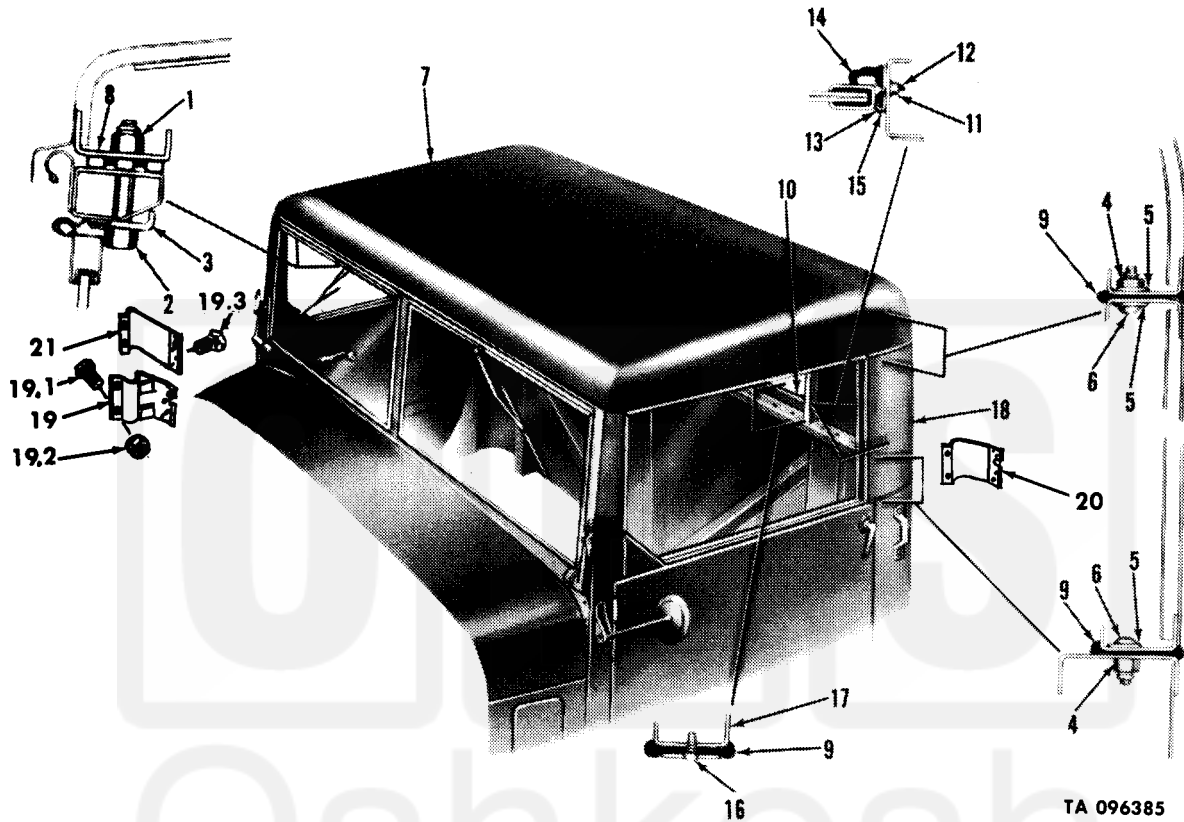


Figure 133. Hard top cab components.

Oshkosh
Equipment Sales