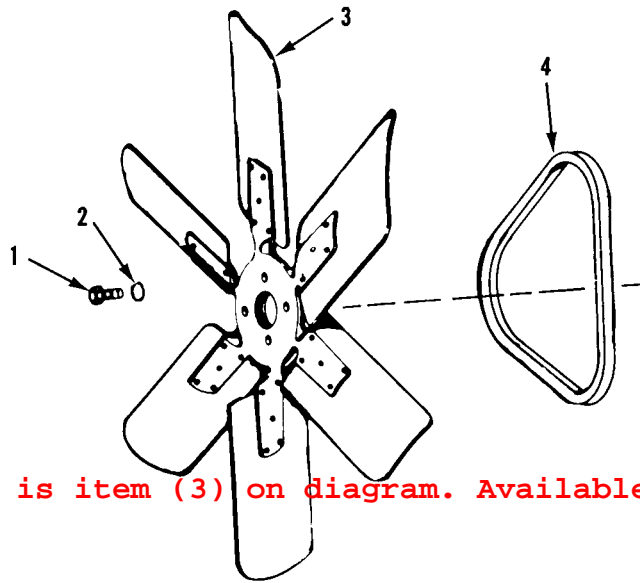


Current part is item (3) on diagram. Available at www.oshkoshequipment.com

| (1) SMR Code | (2) Federal Stock Number | DESCRIPTION | UNIT of meas | (4) Qty inc. in Unit | 30-day DS maint allowance | | | 30-day GS maint allowance | | | 1-yr alw per 100 equip cnt- gcy | Depot maint alw per 100 equip | Illustration | |
|--------------------|-----------------------------------|--|--------------------|----------------------------------|------------------------------|--------------|---------------|------------------------------|--------------|---------------|---|--|----------------------|--------------------|
| | | | | | (a) 1-20 | (b) 21-50 | (c) 51-100 | (a) 1-20 | (b) 21-50 | (c) 51-100 | | | (a) Figure No. | (b) Item No. |
| | | Reference Number & Mfr. Code | | | | | | | | | | | | |
| | | COMPOSED OF: | | | | | | | | | | | | |
| PAOZZ | 2930-901-8663 | GASKET: WATER PUMP MTG 10889854 (19207) | EA | 1 | * | * | * | * | * | * | * | * | 28 | 10 |
| KFOZZ | | PUMP, ENGINE COOLANT: 10951101 (19207) | EA | 1 | * | * | * | * | * | * | * | * | 28 | 11 |
| PAOZZ | 5310-880-7744 | NUT, PLAIN, HEXAGON : COOLING TUBE MTG MS51967-5 (19207) | EA | 4 | * | * | * | * | * | * | * | * | 28 | 2 |
| PAOZZ | 5310-959-4679 | WASHER, LOCK: COOLING TUBE MTG MS35340-45 (96906) | EA | 4 | * | * | * | * | * | * | * | * | 28 | 3 |
| PAOZZ | 5307-880-1156 | STUD, PLAIN: COOLING UNIT TUBE MTG 10899073- 4 (19207) | EA | 4 | * | * | * | * | * | * | * | * | 28 | 12 |
| PAOZZ | 2930-899-7883 | GASKET: WATER TUBE INLET MTG 10889851 (19207) | EA | 1 | * | * | * | * | * | * | * | * | 28 | 13 |
| PAOZZ | 2930-453-5377 | TUBE, COOLING UNIT: PUMP INLET 10899032 (19207) | EA | 1 | * | * | * | * | * | * | * | * | 28 | 14 |
| PAOZZ | 4730-541-7747 | CLAMP, HOSE: INLET HOSE AN737TW74-91 (88044) | EA | 6 | * | * | * | * | * | * | * | * | 28 | 15 |
| MOOZZ | | HOSE, RUBBER: COOLER TUBE MANUFACTURE FROM: | EA | 3 | | | | | | | | | 28 | 16 |
| PAOZZ | 4720-200-0632 | HOSE, NONMETALLIC: (3-1/4 IN. REQUIRED FOR EA HOSE) ZZH428 (81348) | FT | V | | | | SEE GROUP 9501 | | | | | 28 | 16 |
| PADZZ | 5310-959-4675 | WASHER, LOCK: WATER PUMP MTG TO CRANK- CASE MS35340-46 (96906) | EA | 5 | | | | | | | * | * | 28 | 17 |
| PADZZ | 5306-850-3993 | BOLT, MACHINE: WATER PUMP MTG TO CRANK- CASE 7748976 (19207) | EA | 3 | | | | | | | * | * | 28 | 18 |
| PAOZZ | 4710-133-8174 | TUBE, BENT, STEEL: WATER PUMP TO OIL COOLER 10935616 (19207) | EA | 1 | * | * | * | * | * | * | * | * | 28 | 19 |
| | | 0505-FAN ASSEMBLY | | | | | | | | | | | | |
| PAOZZ | 5306-225-8500 | BOLT, MACHINE: FAN MTG MS90725-35 (96906) | EA | 4 | * | * | * | * | * | * | * | * | 29 | 1 |
| PAOZZ | 5310-959-4679 | WASHER, LOCK: FAN MTG MS35340-45 (96906) | EA | 4 | * | * | * | * | * | * | * | * | 29 | 2 |
| PAOZZ | 2930-113-0768 | IMPELLER, FAN, AXIAL: ENGINE COOLING 11641747 (19207) | EA | 1 | * | * | * | * | * | * | * | * | 29 | 3 |
| PAOZZ | 3030-863-7738 | BELTS, V. MATCHED SET: FAN AND GENERATOR 5702650 (19207) | EA | 1 | * | * | * | * | * | * | * | * | 29 | 4 |
| | | COMPOSED OF: | | | | | | | | | | | | |
| | | 2-BELT: 10889856 (19207) | | | | | | | | | | | 29 | 4 |
| | | GROUP 06-ELECTRICAL SYSTEM | | | | | | | | | | | | |
| | | 0601-GENERATOR | | | | | | | | | | | | |
| PAOZZ | 5305-269-3210 | SCREW, CAP, HEXAGON HEAD: ADJUSTING STRAP MTG MS90725-59 (96906) | EA | 1 | * | * | * | * | * | * | * | * | 30 | 1 |



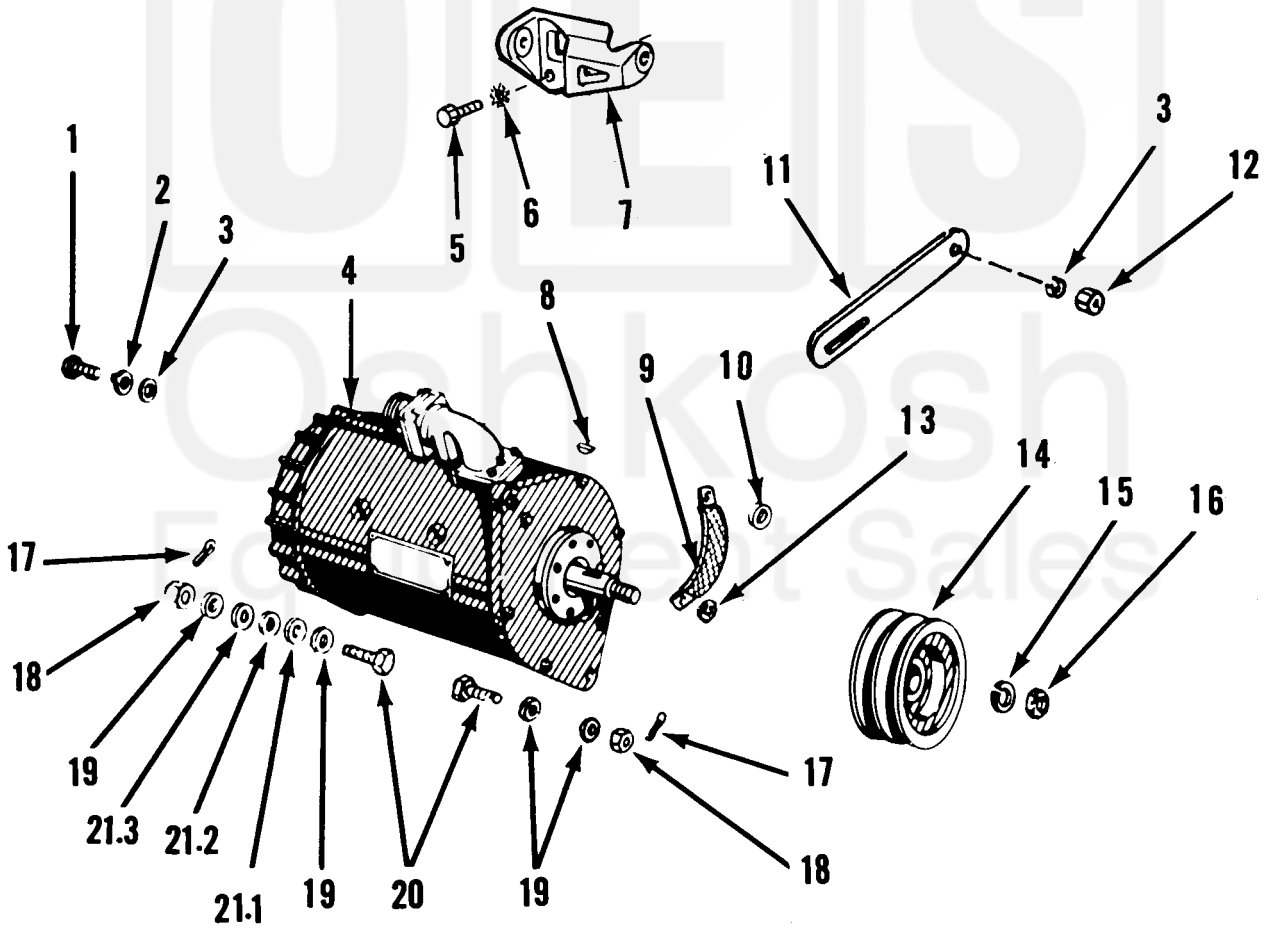
Current part is item (3) on diagram. Available at www.oshkoshequipment.com



Current part is item (3) on diagram. Available at www.oshkoshequipm

TA010736

Figure 29. Engine Cooling Fan and Belt.



TA010737

Figure 30. Generator and Associated Parts.

Current part is item (3) on diagram. Available at www.oshkoshequipm