

(1) SMR Code	(2) Federal Stock Number	(3) DESCRIPTION	(4) UNIT	(5) Qty	(6) 30-day DS maint	(7) 30-day GS maint	(8) 1-yr	(9) Depot	(10) Illustration	of inc. allowance	allowance	alw	maint	Figure	Item
Code	Stock Number		of meas	Unit								per equip	per equip	(a) No.	(b) No.
	Reference Number & Mfr. Code	Usable On Code			(a)	(b)	(c)	(a)	(b)	(c)	gcy				
1201-HAND BRAKES-CONTINUED															
P-O	2530-740-9372	CONNECTING LINK,RIGID: CABLE CLAMP 7409372 (19207)	A	EA	3	*	*	*	*	*	*	3	5	77	9
P-O	5340-282-7521	CLAMP,LOOP: PARKING BRAKE CABLE MS21333-40 (96906)	A	EA	1	*	*	*	*	*	*	4	8	77	10
P-O	5340-740-9366	CLAMP: PARKING BRAKE CABLE (USE STRAP, FSN 5340-512-1948 WHEN STOCK IS EXHAUSTED) 7409366 (19207)	A	EA	2	*	*	*	*	*	*	4	8	77	11
P-O	5310-740-9365	NUT,SINGLE BALL SEAT: CABLE END 7409369 (19207)	A	EA	1	*	*	*	*	*	*	6	10	77	12
P-O	5310-732-0558	NUT,PLAIN,HEXAGON: CABLE END MS51967-8 (96906)	A	EA	1	*	*	*	*	*	*	6	10	77	13
P-O	2530-741-3485	BRACKET,CABLE CLAMP 7413485 (19207)	A	EA	1	*	*	*	*	*	*	3	5	77	14
P-O	2530-740-9365	CABLE: HAND BRAKE 7409365 (19207)	A	EA	1	*	*	*	*	*	*	6	8	77	15
P-O	2530-052-3687	PLATE,WEAR,PARKING: PARKING BRAKE CABLE 10883131 (19207)	A	EA	1	*	*	*	*	*	*	3	5	77	16
P-O	2530-052-3683	CLAMP,PARKING BRAKE: BRAKE CABLE 10883129 (96906)	A	EA	2	*	*	*	*	*	*	3	5	77	17
P-O	2530-033-6029	BRAKE DRUM: PARKING 7409367 (19207)	A	EA	1	*	*	*	*	*	*	6	20	78	1
P-O	2530-563-5531	BRACKET: BRAKE DRUM ASSEMBLY 7409363 (19207)	A	EA	1	*	*	*	*	*	*	3	5	78	2
P-O	5360-693-0615	SPRING,HELICAL EXTENSION: RETURN OUTER SHOE 7521284 (19207)	A	EA	1	*	*	*	*	*	*	6	10	78	3
P-O	5310-880-7745	NUT,PLAIN,HEXAGON: BRACKET MS51968-11 (96906)	A	EA	1	*	*	*	*	*	*	6	10	78	4
P-O	5305-206-0932	SCREW,SHOULDER: ADJUSTING SHOE 7064469 (19207)	A	EA	1	*	*	*	*	*	*	6	10	78	5
P-O	2530-312-1583	DEFLECTOR,DIRT AND OIL: COMPANION FLANGE 7409371 (19207)	A	EA	1	*	*	*	*	*	*	4	8	78	6
P-O	2920-734-6802	FLANGE ASSEMBLY,COMPANION: 7346802 (19207)	A	EA	1	*	*	*	*	*	*	3	5	78	7
P-O	5310-737-5259	WASHER,FLAT: COMPANION FLANGE 7375259 (19207)	A	EA	1	*	*	*	*	*	*	6	10	78	8
P-O	5310-492-9631	NUT,SLOTTED,HEXAGON: COMPANION FLANGE A143813 (76040)	A	EA	1	*	*	*	*	*	*	6	10	78	9

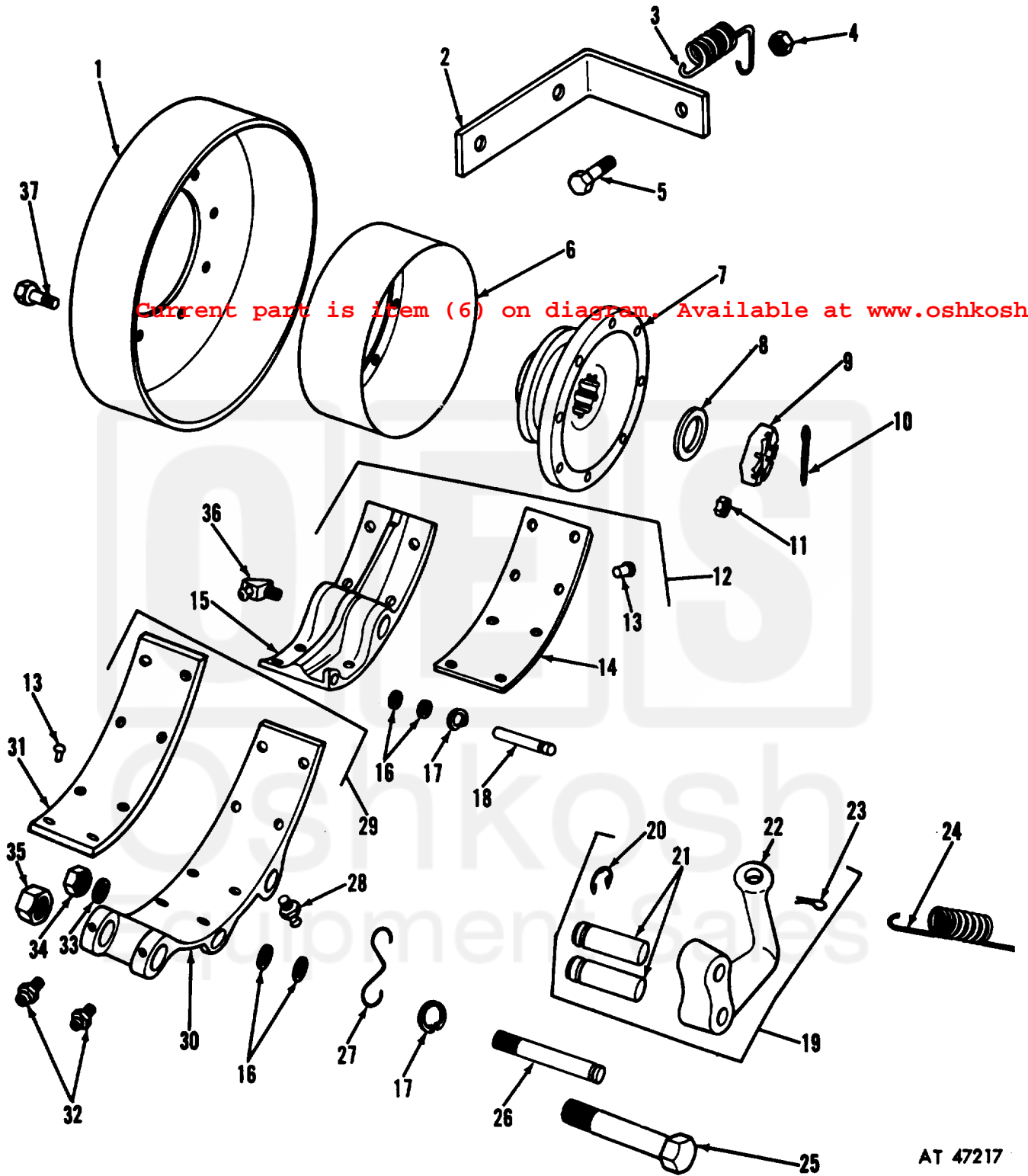


Figure 78. Parking brake drum and shoe.

AT 47217

Current part is item (6) on diagram. Available at www.oshkoshequip.com