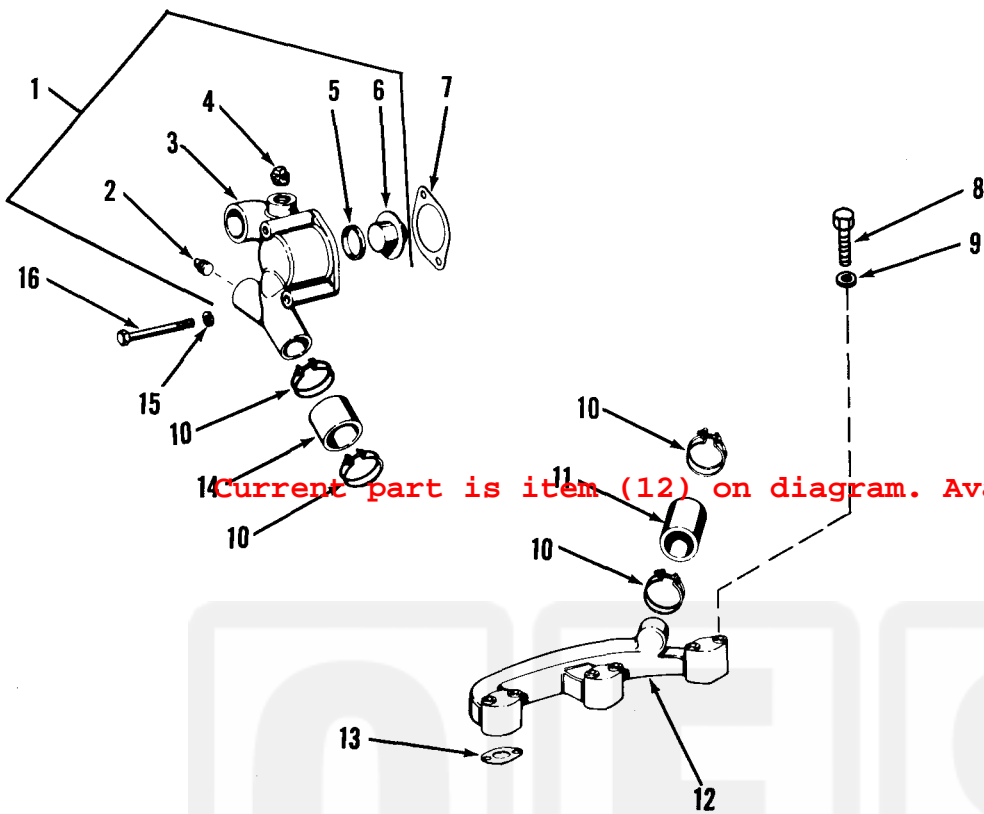


Current part is item (12) on diagram. Available at www.oshkosequipment.com

(1) SMR Code	(2) Federal Stock Number	DESCRIPTION	UNIT of meas	Qty inc. in Unit	30-day DS maint allowance			30-day GS maint allowance			1-yr alw per 100 equip cnt- gcy	Depot maint alw per 100 equip	Illustration	
					(a) 1-20	(b) 21-50	(c) 51-100	(a) 1-20	(b) 21-50	(c) 51-100			(a) Figure No.	(b) Item No.
		Reference Number & Mfr. Code												
		Usable On Code												
PAOZZ	2930-851-4653	GASKET: HOUSING MTG TO MANIFOLD 10889849 (19207)	EA	1	*	*	*	*	*	*	*	*	27	7
PAFZZ	5306-225-8505	BOLT, MACHINE: MANIFOLD TO CYLINDER HEAD MTG MS90725-41 (96906)	EA	12	*	*	*	*	*	*	*	*	27	8
PAFZZ	5310-407-9566	WASHER, LOCK: MANIFOLD TO CYLINDER HEAD MTG MS35338-45 (96906)	EA	12	*	*	*	*	*	*	*	*	27	9
PAOZZ	4730-541-7747	CLAMP, HOSE: HOSES RETAINING AN737W74-91 (88044)	EA	6	*	*	*	*	*	*	*	*	27	10
MOOZZ		HOSE, RUBBER: WATER OUTLET MANIFOLD TO INTAKE MANIFOLD	EA	2									27	11
PAOZZ	4720-235-4127	MANUFACTURE FROM: HOSE, NONMETALLIC: (1-3/4 IN. REQUIRED FOR EA HOSE) ZZH428 (81348)	FT	V				SEE GROUP 9501					27	11
PAFZZ	2930-907-0650	MANIFOLD, WATER OUTLET: CYLINDER HEAD 10951179 (19207)	EA	2	*	*	*	*	*	*	*	*	27	12
PAFZZ	2930-851-0483	GASKET: MANIFOLD MTG 10889853 (19207)	EA	6	*	*	*	*	*	*	*	*	27	13
MOOZZ		HOSE, RUBBER: HOUSING TO WATER PUMP	EA	2									27	14
PAOZZ	4720-200-0632	MANUFACTURE FROM: HOSE, NONMETALLIC: (3-1/4 IN. REQUIRED FOR EA HOSE) ZZH428 (81348)	FT	V				SEE GROUP 9501					27	14
PAOZZ	5310-080-6004	WASHER, FLAT: HOUSING MTG MS27183-14 (96906)	EA	2	*	*	*	*	*	*	*	*	27	15
PAOZZ	5306-850-3993	BOLT, MACHINE: HOUSING MTG 7748976 (19207)	EA	2	*	*	*	*	*	*	*	*	27	16
PADZZ	2930-760-3200	0504-WATER PUMP	EA	1									28	1
PAOZZ	5310-880-7744	PUMP, WATER, ENGINE COOLING: 10935641 (19207)	EA	6	*	*	*	*	*	*	*	*	28	2
		NUT, PLAIN, HEXAGON: WATER PUMP TO HOUSING MS51967-5 (96906)	EA	6	*	*	*	*	*	*	*	*	28	3
PAOZZ	5310-959-4679	WASHER, LOCK: WATER PUMP TO HOUSING MTG MS35340-45 (96906)	EA	6	*	*	*	*	*	*	*	*	28	3
PADZZ	2930-133-8173	HOUSING, WATER PUMP: 10935640 (19207)	EA	1									28	4
XADZZ		HOUSING: WATER PUMP 10935640-1 (19207)	EA	1									28	5
PAOZZ	5307-275-8548	STUD, PLAIN: HOUSING, GENERATOR STRAP MTG 8376183 (00000)	EA	1	*	*	*	*	*	*	*	*	28	6
PAOZZ	5307-904-5675	STUD, PLAIN: WATER PUMP MTG 10899073-5 (19207)	EA	6	*	*	*	*	*	*	*	*	28	7
PAOZZ	4730-221-2140	PLUG, PIPE: PERSONNEL HEATER CONNECTION MS20913-6S (96906)	EA	1	*	*	*	*	*	*	*	*	28	8
PAOZZ	2930-903-0679	PARTS KIT, WATER PUMP: 5702725 (19207)	EA	1	*	*	*	*	*	*	*	*	28	9



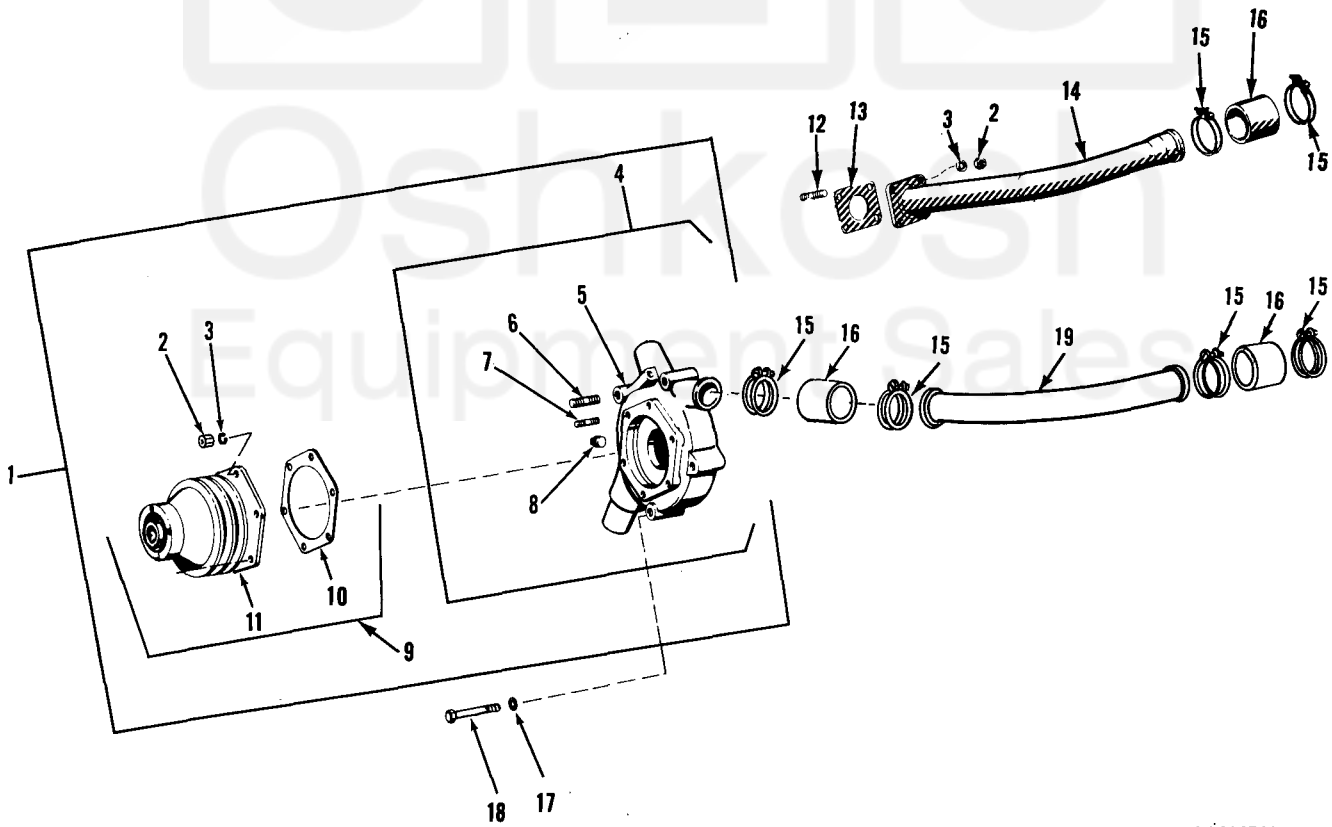
Current part is item (12) on diagram. Available at www.oshkosequipment.com



Current part is item (12) on diagram. Available at www.oshkoshequipm.com

TA010734

Figure 27. Water Manifold, Thermostat Housing and Associated Parts.



TA010735

Figure 28. Water Pump and Associated Parts.

Current part is item (12) on diagram. Available at www.oshkoshequipm.com