

(1) SMR Code	(2) Federal Stock Number	(3) Description	(4) Unit of Meas.	(5) Qty In Unit	(6) 15-day Maintenance In Unit	(7) Organizational allow Illustration	(a) Figure No.	(b) Item No.
Reference number & mfg. code			Usable on code		(a) (b) (c) (d)	(a) (b)	(c) (d)	(a) (b)
					1-5 6-20 21-50 51-100	No.	No.	No.
1801-BODY,CAB,HOOD AND HULL ASSEMBLIES-CONTINUED								
PAOZZ	5340-737-3284	HINGE,BUTT: LEFT CAB DOOR (USE WITH DOOR 2510-737-3293) 7373284 (19207)	A	EA	2	* * * *	150	8
PAOZZ	5340-737-3285	HINGE,BUTT: RIGHT CAB DOOR(USE WITH DOOR 2510-737-3294) 7373285 (19207)	A	EA	2	* * * *	150	8
PAOZZ	2510-737-3288	CHECK ASSEMBLY, DOOR: 7373288 (19207)	A	EA	2	* * * *	150	9
PAOZZ	5315-187-9558	PIN,COTTER: DOOR CHECK ROD MS24665-431 (96906)	A	EA	2	* * * *	150	10
PAOZZ	2510-650-1015	FRAME: WINDOW RIGHT (USE WITH DOOR 2510-737-3294) 7529305 (19207)	A	EA	2	* * * *	150	11
PAOZZ	2510-674-4487	FRAME:WINDOW LEFT (USE WITH DOOR 2510-737-3293) 7529304 (19207)	A	EA	2	* * * *	150	11
PAOZZ	5305-984-7363	CREW,MACHINE: MS35191-272 (96906)	A	EA	4	* * * *	150	12
PAOZZ	5310-582-8716	WASHER,LOCK: MS35336-20 (96906)	A	EA	4	* * * *	150	13
PAOZZ	2540-741-0715	HANDLE,DOOR: 14892 (75198)	A	EA	2	* * * *	150	14
PAOZZ	5305-531-0339	SCREW,ASSEMBLED WASHER: DOOR LOCK 594270 (21450)	A	EA	20	* * * *	150	15
PAOZZ	2540-693-0603	REGULATOR, VEHICLE WINDOW: RIGHT (USE WITH DOOR 2510-737-3294) 7373290 (19207)	A	EA	1	* * * *	150	16
PAOZZ	2540-693-0602	REGULATOR,WINDOW: LEFT (USE WITH DOOR 2510-737-3293) 7373289 (19207)	A	EA	1	* * * *	150	16
PAOZZ	2510-797-5609	HANDLE, LOCK: 7975609 (19207)	A	EA	2	* * * *	150	17
PAOZZ	5305-696-5300	SCREW,ASSEMBLED WASHER: 455184 (21450)	A	EA	2	* * * *	150	18
PAOZZ	2540-737-3277	LOCK,REMOTE CONTROL: RIGHT ASSEMBLY (USE WITH DOOR 2510-737-3294) 955334 (58275)	A	EA	1	* * * *	150	19
PAOZZ	2540-737-3276	LOCK,REMOTE CONTROL: LEFT ASSEMBLY (USE WITH DOOR 2510-737-3293) 955335 (58275)	A	EA	1	* * * *	150	19

TA 009292

Current part is item (16) on diagram. Available at [www.oshkoshequip.com](http://www.oshkoshequip.com)

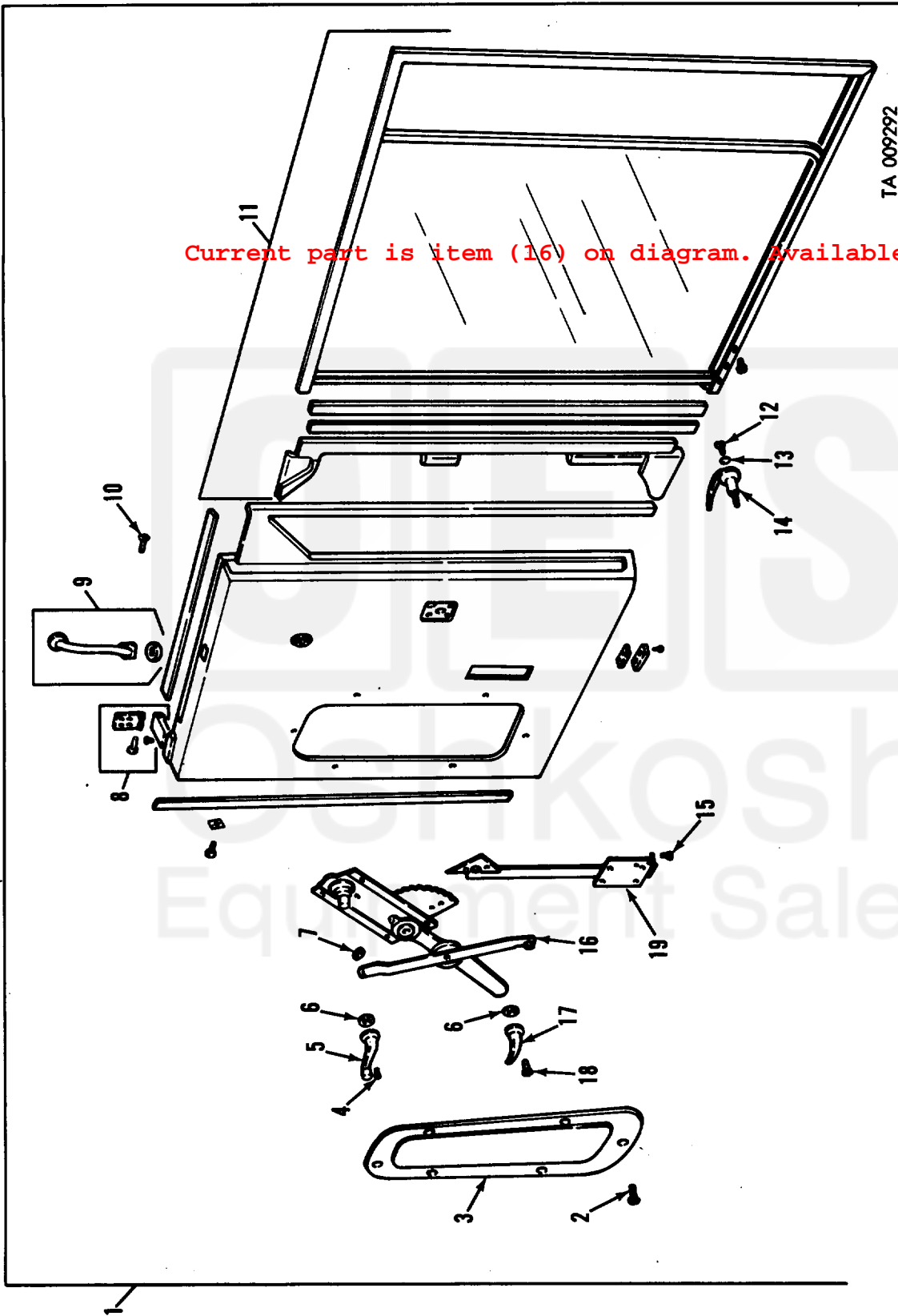


Figure 150. Cab door and related parts.

Current part is item (16) on diagram. Available at [www.oshkoshequip.com](http://www.oshkoshequip.com)