

X20	Current part is item (8) on diagram. Available at www.oshkoshequipment.com	SLIDE, FRONT DOOR STOP 11658240 (19207)	EA	2	*	*	*	*	*	*			117	26
PO	2510-221-8913	WEATHERSTRIP, FRONT DOOR 11662746 (19207)	EA	2	*	*	*	*	*	*			118	1
PO		SCREW, MACHINE, DOOR HANDLE 172044 (24617)	EA	4	*	*	*	*	*	*			118	2
PO	2540-917-5903	HANDLE, FRONT DOOR, OUTSIDE 7410715 (19207)	EA	2	*	*	*	*	*	*			118	3
PO	2510-411-8313	GLASS, DOOR 11658535 (19207)	EA	2	*	*	*	*	*	*			118	4
PO		TAPE, GLASS 11658072 (19207)	EA	2	*	*	*	*	*	*			118	5
PO	5340-158-0095	RETAINER, REGULATOR ARM AND CHANNEL 11662604 (19207)	EA	4	*	*	*	*	*	*			118	6
X20		CHANNEL ASSEMBLY, LIFT L.H. 11658564-1(19207)	EA	1	*	*	*	*	*	*			118	7

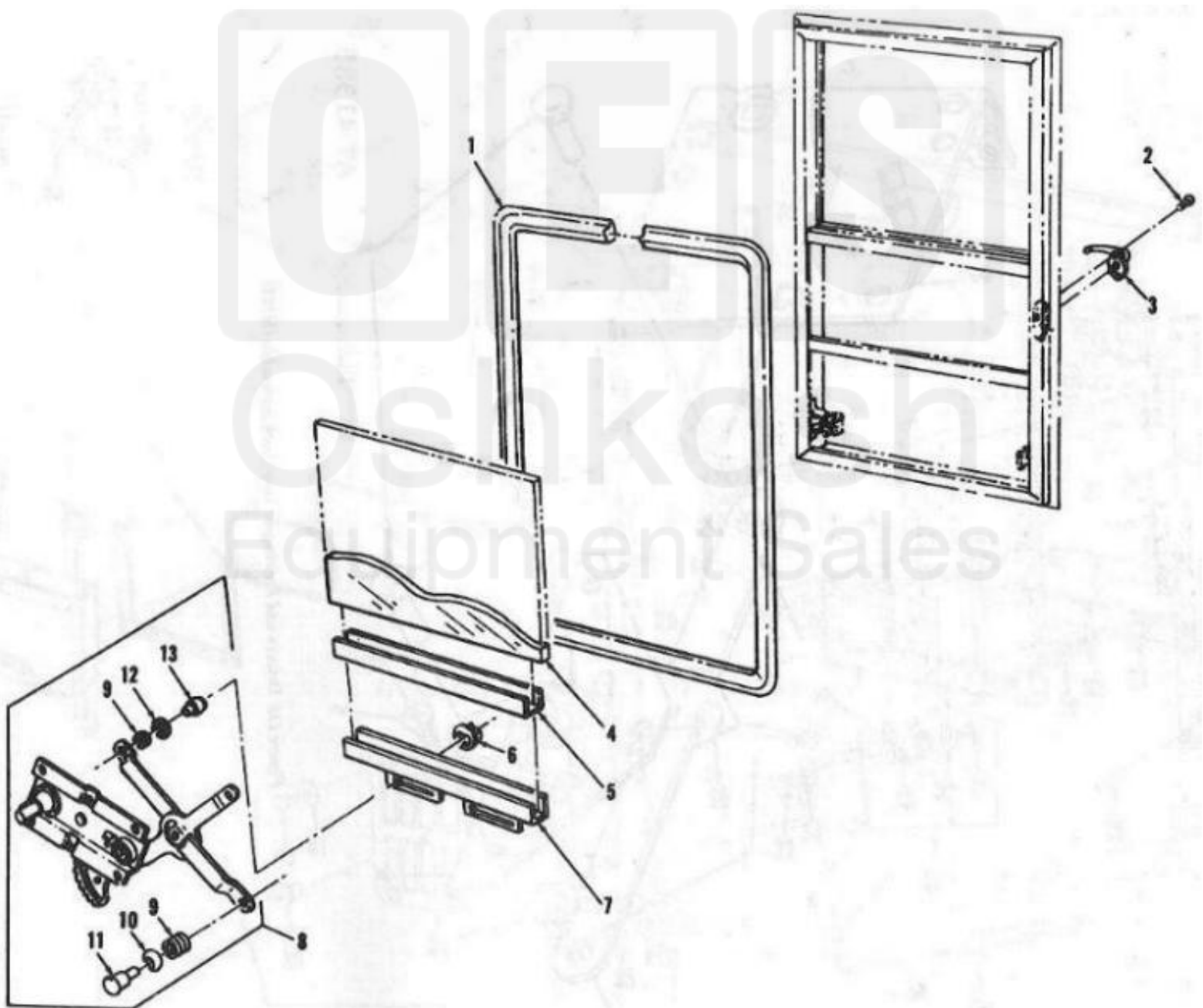


Figure 118: Drivers and Passengers Door Regulator, Window and Related Parts (M725)

Current part is item (8) on diagram. Available at www.oshkoshequipment.com

(1) SMR code	(2) Federal Stock Number	(3) Description Reference Number & Mfg. Code Usable on Code	(4) Unit of meas	(5) Qty inc in unit	(6) 30-day DS maint. allowance			(7) 30-day GS maint. allowance			(8) 1-yr alw per 100 equip cntgcy	(9) Depot maint alw per 100 equip	(10) Illustration	
					(a) 1-20	(b) 21-50	(c) 51-100	(a) 1-20	(b) 21-50	(c) 51-100			(a) Figure No.	(b) Item No.
		1812 SPECIAL PURPOSE BODY-AMBULANCE--Continued												
X20		CHANNEL ASSEMBLY, LIFT R. H. 11658564-2 (19207)	EA	1	*	*	*	*	*	*			118	7
PO	2540-693-0603	REGULATOR ASSEMBLY, WINDOW, R. H. 7373290 (19207)	EA	1	*	*	*	*	*	*			118	8
PO	2540-693-0602	REGULATOR ASSEMBLY, WINDOW, L. H. 7373289 (19207)	EA	1	*	*	*	*	*	*			118	8
PO	2540-177-9333	SPRING REGULATOR AND ACTUATING ARM 7531444 (19207)	EA	3	*	*	*	*	*	*			118	9
X1		WASHER, ACTUATING ARM SPRING 7034601 (19207)	EA	1									118	10
X1		STUD, ACTUATING ARM 7034618 (19207)	EA	1									118	11
X1		WASHER, REGULATOR AND ACTUATING ARM 7531445 (19207)	EA	2									118	12
X1		STUD, REGULATOR AND ACTUATING ARM 7034617 (19207)	EA	2									118	13
PO	2540-737-3216	LOCK ASSEMBLY, FRONT DOOR, L.H. 7373216 (19207)	EA	1	*	*	*	*	*	*			119	
X1		STRAP, LOCK 10871960 (19207)	EA	1									119	1
X1		WASHER, SPRING 10871987 (19207)	EA	2									119	2
X1		LOCK ASSEMBLY, DOOR 7748500 (19207)	EA	1									119	3
PO	5320-242-1545	RIVET, TUBULAR, STRAP MS16535-300 (96906)	EA	2	*	*	*	*	*	*			119	4