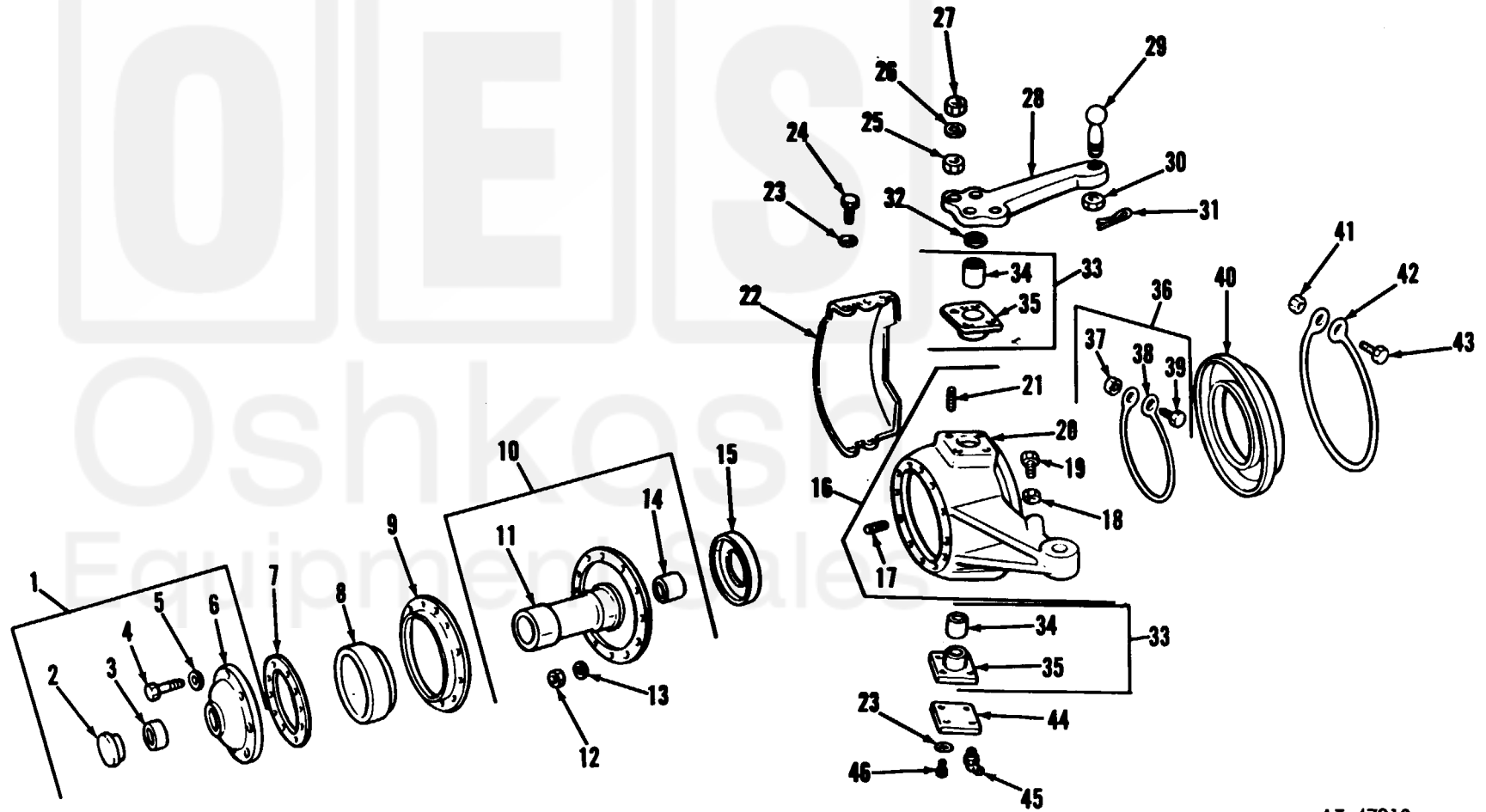


Current part is item (40) on diagram. Available at [www.oshkosequipment.com](http://www.oshkosequipment.com)

(1) SMR Code	(2) Federal Stock Number	(3) DESCRIPTION	(4) UNIT	(5) Qty	(6) 30-day DS maint	(7) 30-day GS maint	(8) 1-yr	(9) Depot	(10) Illustration					
Code	Stock Number		of meas	inc in Unit	allowance	allowance	alw	maint		per equip	100	(a) Figure	(b) Item No.	
	Reference Number & Mfr. Code	Usable On Code			(a)	(b)	(c)	(a)	(b)	(c)	gcy			
	1004-STEERING AND LEANING WHEEL MECHANISM-CONTINUED													
P-F	2530-734-6979	ARM: STEERING KNUCKLE 7346979 (19207)	A	EA	2	*	*	*	*	*	4	10	71	28
		(EXCEPT M139D)												
P-F	2530-927-9387	ARM: STEERING KNUCKLE 7992575 (19207)	MA	EA	2	*	*	*	*	*	4	10	71	28
P-F	5307-734-6980	STUD,BALL: ARM 7346980 (19207)	A	EA	2	*	*	*	*	*	6	10	71	29
P-F	5310-835-2140	NUT,PLAIN: ARM MS35692-69 (96906)	A	EA	2	*	*	*	*	*	6	10	71	30
P-F	5315-298-1481	PIN,COTTER: BALL STUD MS24665-357 (96906)	A	EA	2	*	*	*	*	*	10	50	71	31
P-F	2530-312-0808	SPACER: 0.125 (COMPONENT OF SPACER SET, FSN 2520-734-6981 1244B548 (78500)	A	EA	2	*	*	*	*	*	10		71	32
X1		SPACER: 0.135 (COMPONENT OF SPACER SET, FSN 2520-734-6981 1244C549 (78500)	A		2								71	32
P-F	2530-312-0812	SPACER,BEARING: 0.145 (COMPONENT OF SPACER SET, FSN 2520-734-6981 1244D550 (78500)	A	EA	2	*	*	*	*	*	10		71	32
X1		SPACER: 0.155 (COMPONENT OF SPACER SET, FSN 2520-734-6981 1244E551 (78500)	A		2								71	32
P-F	2530-312-0815	SPACER: 0.165 (COMPONENT OF SPACER SET, FSN 2520-734-6981 1244F552 (78500)	A	EA	2	*	*	*	*	*	10		71	32
P-F	2530-734-6971	SLEEVE ASSSEMBLY: 7346971 (19207)	A	EA	4	*	*	*	*	*	8	20	71	33
P-F	2530-288-1889	BEARING,SLEEVE: BUSHING TYPE 7346972 (19207)	A	EA	1	*	*	*	*	*	8	20	71	34
X1		SLEEVE,FLANGED: 8758253 (19207)	A		1								71	35
P-F	5340-734-6976	CLAMP ASSEMBLY: (LOOP, WITH NUT) BOOT 7346976 (19207)	A	EA	2	*	*	*	*	*	8	20	71	36
P-F	5310-707-1097	NUT,PLAIN,HEXAGON: CLAMP 7071097 (19207)	A	EA	1	*	*	*	*	*	6	10	71	37
X1		CLAMP: 8758265-1 (19207)	A		1								71	38
P-F	5305-752-1693	SCREW,MACHINE: CLAMP 7521693 (19207)	A	EA	2	*	*	*	*	*	6	10	71	39
P-F	2530-832-7123	BOOT,DUST AND MOISTURE SEAL: 8327123 (19207)	A	EA	2	*	*	*	*	*	10	40	71	40



AT 47210

Figure 71. Steering knuckle and related parts.