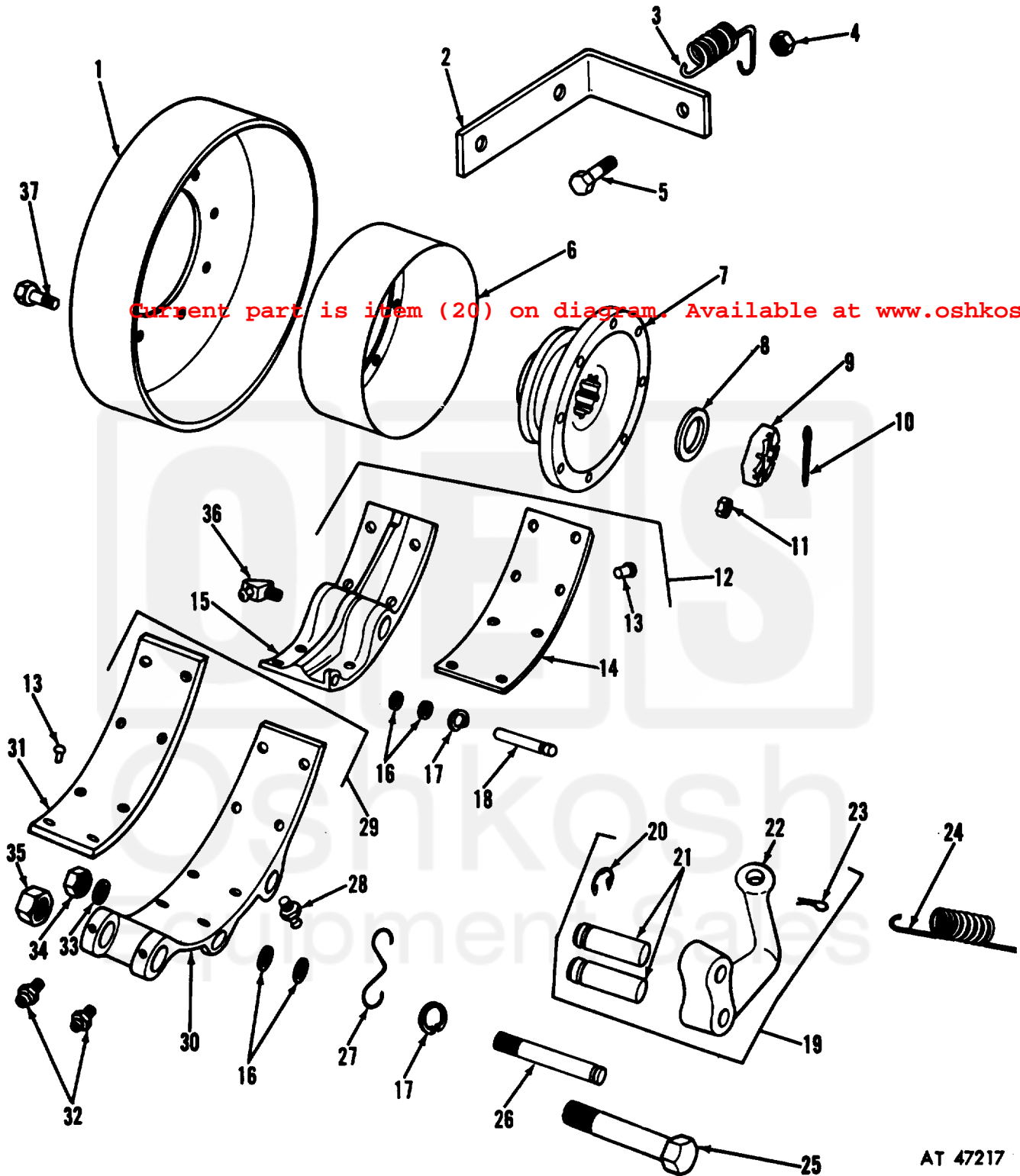


Current part is item (20) on diagram. Available at www.oshkoshequipment.com

(1) SMR Code	(2) Federal Stock Number	(3) DESCRIPTION	(4) UNIT	(5) Qty	(6) 30-day DS maint	(7) 30-day GS maint	(8) 1-yr	(9) Depot	(10) Illustration	of meas	inc. in Unit	allowance	allowance	alw per 100	maint alw per 100	(a) Figure No.	(b) Item No.
Reference Number & Mfr. Code			Usable On Code		(a)	(b)	(c)	(a)	(b)	(c)	gcy						
1201-HAND BRAKES-CONTINUED																	
P-O	5315-059-0184	PIN,COTTER: SLOTTED NUT MS24665-361 (96906)	A	EA	1	*	*	*	*	*	*	6	10	78	10		
P-O	5310-732-0559	NUT,PLAIN,HEXAGON: DRUM TO FLANGE MS51968-8 (96906)	A	EA	8	*	*	*	*	*	*	6	10	78	11		
P-O-R	2530-693-0679	BRAKE SHOE,INTERNAL: 8380558 (19207)	A	EA	1	*	*	*	*	*	*	15	30	78	12		
P-F	5320-058-9890	RIVET,TUBULAR: (INNER SHOE LINING (8), AND OUTER SHOE LINING (8) RV388 (78500)	A	EA	16	*	*	*	*	*	*	90	300	78	13		
P-F	2530-736-8682	LINING,FRICITION: INNER BRAKE SHOE 7368682 (19207)	A	EA	1	*	*	*	*	*	*	15	30	78	14		
X1		SHOE,BRAKE: INNER SET 8757707 (19207)	A		1									78	15		
P-O	5310-297-3314	WASHER,FLAT: BRAKE SHOE 7064467 (19207)	A	EA	4	*	*	*	*	*	*	6	10	78	16		
P-O	5310-637-9541	WASHER,LOCK: BRAKE SHOE MS35338-46 (96096)	A	EA	2	*	*	*	*	*	*	6	10	78	17		
P-O	5315-316-0992	PIN,SHOULDER,HEADLESS: BRAKE SHOE 7064470 (19207)	A	EA	1	*	*	*	*	*	*	6	10	78	18		
P-O	2530-736-8683	LEVER ASSEMBLY,SHOE: 7368683 (19207)	A	EA	1	*	*	*	*	*	*	4	10	78	19		
P-O	5340-752-1285	RING RETAINING: SHOE LOVER PIN (2),SHOE A ANCHOR BOLT (1) 7521285 (19207)	A	EA	3	*	*	*	*	*	*	4	10	78	20		
P-O	5315-312-0831	PIN,GROOVED,HEADLESS: SHOE LEVER 7521448 (91207)	A	EA	2	*	*	*	*	*	*	4	10	78	21		
X1		LEVER,SHOE: 8757709 (19207)	A		1									78	22		
P-O	5315-018-7988	PIN,COTTER: EXTENSION SPRING MS24665-493 (96906)	A	EA	1	*	*	*	*	*	*	4	10	78	23		
P-O	5360-740-9447	SPRING,HELICAL EXTENSION: BRAKE LEVER 7409447 (19207)	A	EA	1	*	*	*	*	*	*	6	10	78	24		
P-O	5306-740-9370	BOLT,MACHINE: BRAKE SHOE 7409370 (19207)	A	EA	1	*	*	*	*	*	*	4	10	78	25		
P-O	5310-333-7519	PIN,SHOULDER,HEADLESS: BRAKE SHOE 7064468 (19207)	A	EA	1	*	*	*	*	*	*	4	10	78	26		
P-O	2530-321-6375	SPRING,BRAKE SHOE: 7064466 (19207)	A	EA	1	*	*	*	*	*	*	6	10	78	27		
P-O	4730-172-0028	FITTING,LUBRICATION: BRAKE SHOE MS15003-4 (96906)	A	EA	1	*	*	*	*	*	*	6	10	78	28		

Current part is item (20) on diagram. Available at www.oshkoshequipment.com



Current part is item (20) on diagram. Available at www.oshkoshequip.com

Figure 78. Parking brake drum and shoe.

AT 47217

Current part is item (20) on diagram. Available at www.oshkoshequip.com