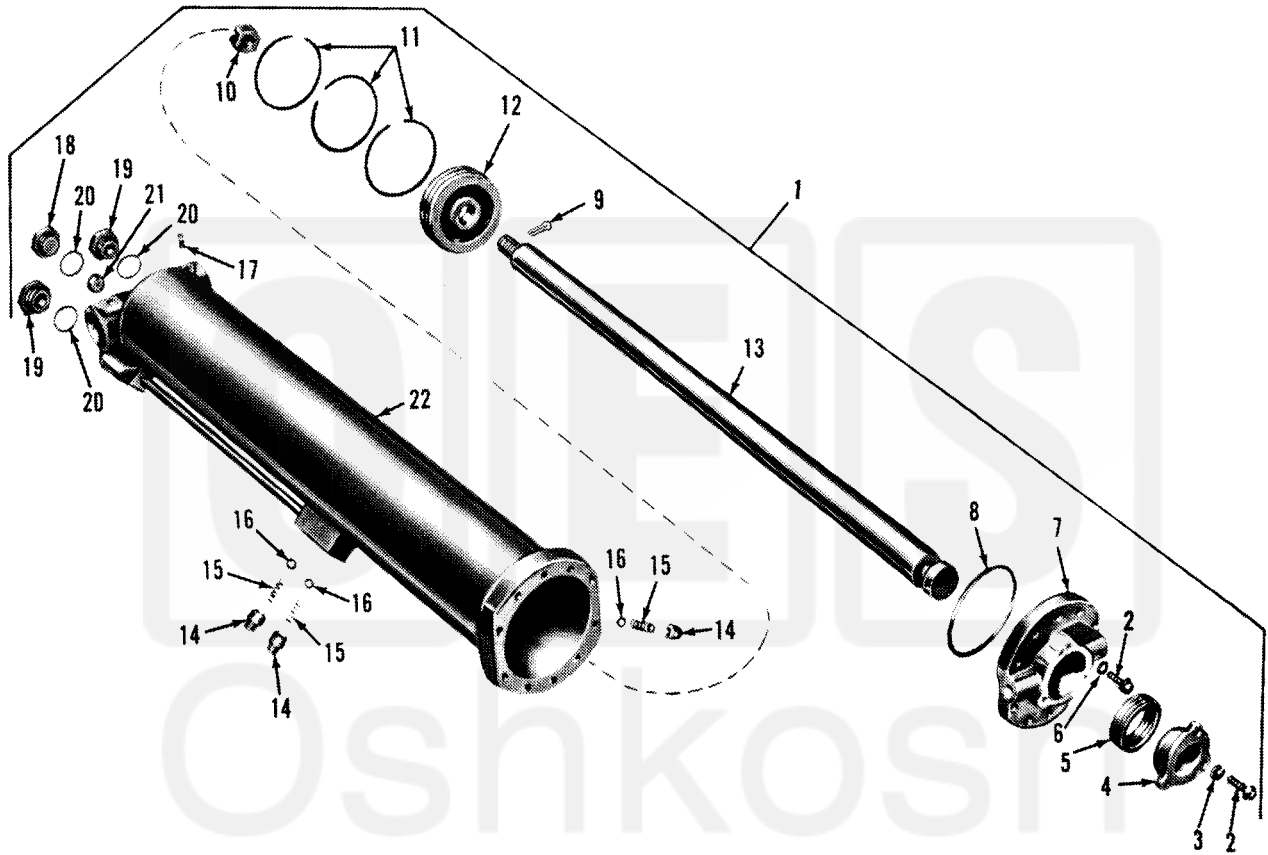


Current part is item (1) on diagram. Available at www.oshkoshequipment.com

(1)	(2)	(3)	(4)	(5)	(6)	(7)	(8)
ILLUS.							QTY
(a)	(b)	SMR	NATIONAL	PART	DESCRIPTION	U/M	INC
FIG.	ITEM	CODE	STOCK	NUMBER	FSCM		IN
NO.	NO.		NUMBER		USABLE ON CODE		UNIT
					2001-HOIST,CAPSTAN,WINDLASS,CRANE OR WINCH ASSEMBLY(CONT'D)		
284	26	PAFZZ	5330-00-740-9050	7409050	19207	RETAINER,PACKING:PISTON ROD (M47,M59)	EA 1
285	1	PAFZZ	4720-00-999-6466	10871983	19207	HOSE ASSEMBLY,RUBBER:DUMP BODY HOIST PUMP HYDRAULIC CYLINDER (M342,M342A2)	EA 4
285	2	PAFZZ	4730-00-496-2700	7409237	19207	UNION,ADAPTER(M342,M342A2)	EA 4
285	3	PAFZZ	5305-00-727-8815	MS90726-186	96906	SCREW,CAP,HEXAGON HEAD (M342,M342A2)	EA 8
285	4	PAFZZ	5310-00-584-7888	MS35338-51	96906	WASHER,LOCK:DUMP BODY HYDRAULIC HOIST BASE SHAFT BEARING CAP(342,M342A2)	EA 8
285	5	PAFZZ	2590-00-999-6469	8758374	19207	CAP,SHAFT BEARING:DUMP BODY HOIST BASE SHAFT BEARING, HYDRAULIC HOIST CYLINDER(M342,M342A2)	EA 4
285	6	PAFZZ	4730-00-050-4208	MS15003-1	96906	FITTING,LUBRICATION (M342,M342A2)	EA 2
285	7	PAFZZ	3040-00-512-9223	7974962	19207	PIN:DUMP BODY HOIST BASE SHAFT BEARING(M342,M342A2)	EA 2
286	1	PAFFF	2590-00-513-5786	8327979	19207	CYLINDER ASSEMBLY:HOIST(SAME AS CYLINDER ASSEMBLY,P/N10937990 (19207),EXCEPT WHERE INDIVIDUAL COMPONENTS ARE ANNOTATED)(M47,M59)	EA 1
286	1	PAFFF	2590-00-411-8324	10937990	19207	CYLINDER ASSEMBLY:DUMP BODY HOIST,HYDRAULIC(SAME AS CYLINDER ASSEMBLY,P/N8327979(19207),EXCEPT WHERE INDIVIDUAL COMPONENTS ARE ANNOTATED)(M342,M342A2)	EA 2
286	2	PAFZZ	5305-00-269-2805	MS90726-62	96906	SCREW,CAP,HEXAGON HEAD (M47,M59,M342,M342A2)	EA 13
286	3	PAFZZ	5310-00-637-9541	MS35338-46	96906	WASHER,LOCK:PACKING RETAINER MTG	EA 3
286	4	PAFZZ	5330-00-740-9050	7409050	19207	RETAINER,PACKING:PISTON ROD (M47,M59,M342,M342A2)	EA 1
286	5	PAFZZ	5330-00-269-4953	11609215	19207	PACKING,PREFORMED:"V" TYPE, PISTON ROD(M47,M59,M342,M342A2)	EA 1
286	6	PAFZZ	5310-00-595-7237	MS35333-42	96906	WASHER,LOCK:HEAD MTG,INTERNAL TEETH,3/8IN.SCREW SIZE	EA 10
286	7	PAFZZ	2590-00-513-5787	8327980	19207	HEAD(USED ON CYLINDER ASSEMBLY, P/N8327979(19207)OONLY) (M47,M59)	EA 1
286	7	PAFZZ	2590-01-013-6132	10937991	19207	HEAD(USED ON CYLINDER ASSEMBLY, P/N 10937990(19207),ONLY) (M342,M342A2)	EA 1



TA 031382

Figure 286. Hydraulic hoist cylinder assembly.