

Current part is item (5) on diagram. Available at [www.oshkoshequipment.com](http://www.oshkoshequipment.com)

| (1)    | (2)  | (3)   | (4)              | (5)         | (6)  | (7)  | (8)   |
|--------|------|-------|------------------|-------------|--|--|-------|
| ILLUS. |      |       |                  |             |  |  | QTY   |
| (a)    | (b)  | SMR   | NATIONAL         | PART        | DESCRIPTION  | U/M  | INC   |
| FIG.   | ITEM | CODE  | STOCK            | NUMBER      | FSCM   |  | IN    |
| NO.    | NO.  |       | NUMBER           |             | USABLE ON CODE   |  | UNIT  |
|        |      |       |                  |             | 2001-HOIST,CAPSTAN,WINDLASS,CRANE<br>OR WINCH ASSEMBLY(CONT'D) |  |       |
| 284    | 26   | PAFZZ | 5330-00-740-9050 | 7409050     | 19207  | RETAINER,PACKING:PISTON ROD<br>(M47,M59)   | EA 1  |
| 285    | 1    | PAFZZ | 4720-00-999-6466 | 10871983    | 19207  | HOSE ASSEMBLY,RUBBER:DUMP BODY<br>HOIST PUMP HYDRAULIC CYLINDER<br>(M342,M342A2)   | EA 4  |
| 285    | 2    | PAFZZ | 4730-00-496-2700 | 7409237     | 19207  | UNION,ADAPTER(M342,M342A2)   | EA 4  |
| 285    | 3    | PAFZZ | 5305-00-727-8815 | MS90726-186 | 96906  | SCREW,CAP,HEXAGON HEAD<br>(M342,M342A2)  | EA 8  |
| 285    | 4    | PAFZZ | 5310-00-584-7888 | MS35338-51  | 96906  | WASHER,LOCK:DUMP BODY<br>HYDRAULIC HOIST BASE SHAFT<br>BEARING CAP(342,M342A2)   | EA 8  |
| 285    | 5    | PAFZZ | 2590-00-999-6469 | 8758374     | 19207  | CAP,SHAFT BEARING:DUMP<br>BODY HOIST BASE SHAFT BEARING,<br>HYDRAULIC HOIST CYLINDER(M342,M342A2)  | EA 4  |
| 285    | 6    | PAFZZ | 4730-00-050-4208 | MS15003-1   | 96906  | FITTING,LUBRICATION<br>(M342,M342A2)   | EA 2  |
| 285    | 7    | PAFZZ | 3040-00-512-9223 | 7974962     | 19207  | PIN:DUMP BODY HOIST BASE<br>SHAFT BEARING(M342,M342A2)   | EA 2  |
| 286    | 1    | PAFFF | 2590-00-513-5786 | 8327979     | 19207  | CYLINDER ASSEMBLY:HOIST(SAME<br>AS CYLINDER ASSEMBLY,P/N10937990<br>(19207),EXCEPT WHERE INDIVIDUAL<br>COMPONENTS ARE ANNOTATED)(M47,M59)                          | EA 1  |
| 286    | 1    | PAFFF | 2590-00-411-8324 | 10937990    | 19207  | CYLINDER ASSEMBLY:DUMP BODY<br>HOIST,HYDRAULIC(SAME AS CYLINDER<br>ASSEMBLY,P/N8327979(19207),EXCEPT<br>WHERE INDIVIDUAL COMPONENTS ARE<br>ANNOTATED)(M342,M342A2) | EA 2  |
| 286    | 2    | PAFZZ | 5305-00-269-2805 | MS90726-62  | 96906  | SCREW,CAP,HEXAGON HEAD<br>(M47,M59,M342,M342A2)  | EA 13 |
| 286    | 3    | PAFZZ | 5310-00-637-9541 | MS35338-46  | 96906  | WASHER,LOCK:PACKING<br>RETAINER MTG  | EA 3  |
| 286    | 4    | PAFZZ | 5330-00-740-9050 | 7409050     | 19207  | RETAINER,PACKING:PISTON ROD<br>(M47,M59,M342,M342A2)   | EA 1  |
| 286    | 5    | PAFZZ | 5330-00-269-4953 | 11609215    | 19207  | PACKING,PREFORMED:"V" TYPE,<br>PISTON ROD(M47,M59,M342,M342A2)   | EA 1  |
| 286    | 6    | PAFZZ | 5310-00-595-7237 | MS35333-42  | 96906  | WASHER,LOCK:HEAD MTG,INTERNAL<br>TEETH,3/8IN.SCREW SIZE  | EA 10 |
| 286    | 7    | PAFZZ | 2590-00-513-5787 | 8327980     | 19207  | HEAD(USED ON CYLINDER ASSEMBLY,<br>P/N8327979(19207)OONLY)<br>(M47,M59)  | EA 1  |
| 286    | 7    | PAFZZ | 2590-01-013-6132 | 10937991    | 19207  | HEAD(USED ON CYLINDER ASSEMBLY,<br>P/N 10937990(19207),ONLY)<br>(M342,M342A2)  | EA 1  |

Current part is item (5) on diagram. Available at [www.oshkoshequipment.com](http://www.oshkoshequipment.com)

Current part is item (5) on diagram. Available at [www.oshkoshequipment.com](http://www.oshkoshequipment.com)

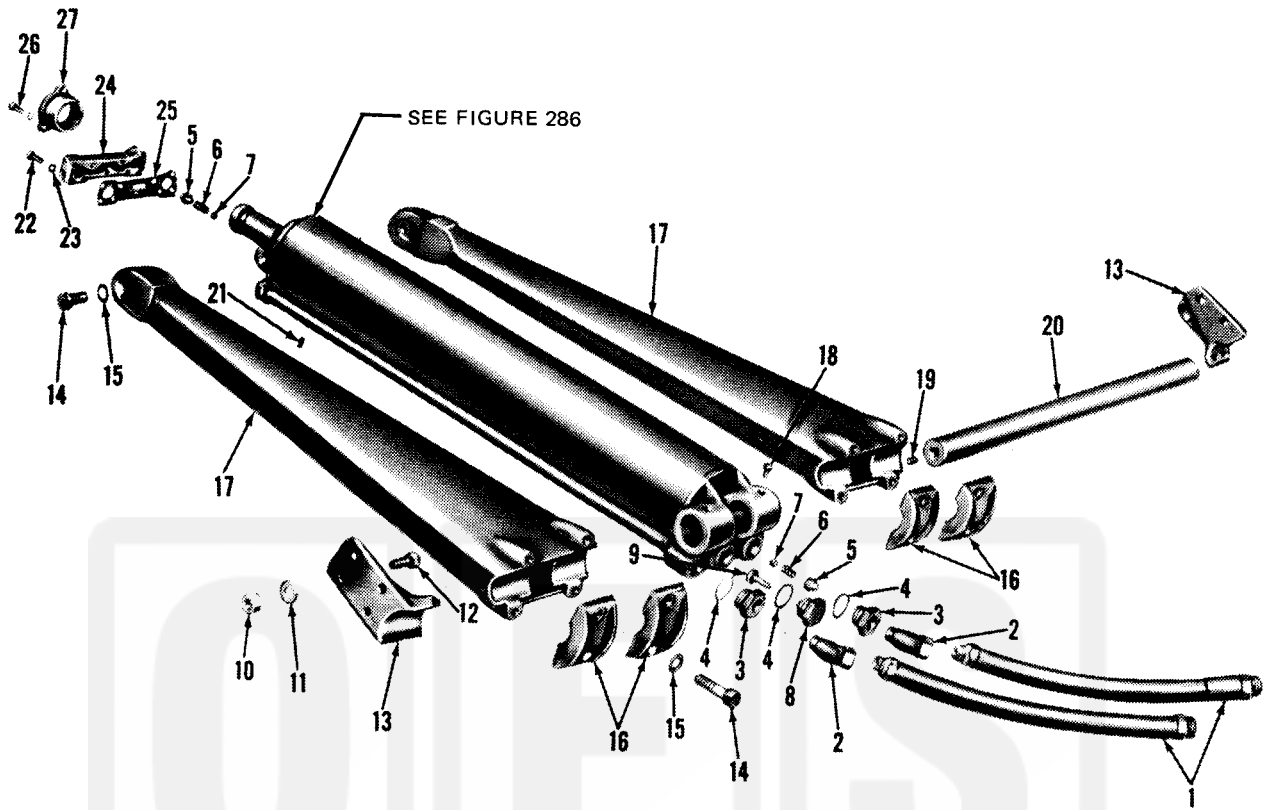


Figure 284. Hydraulic hoist.

TA 031380

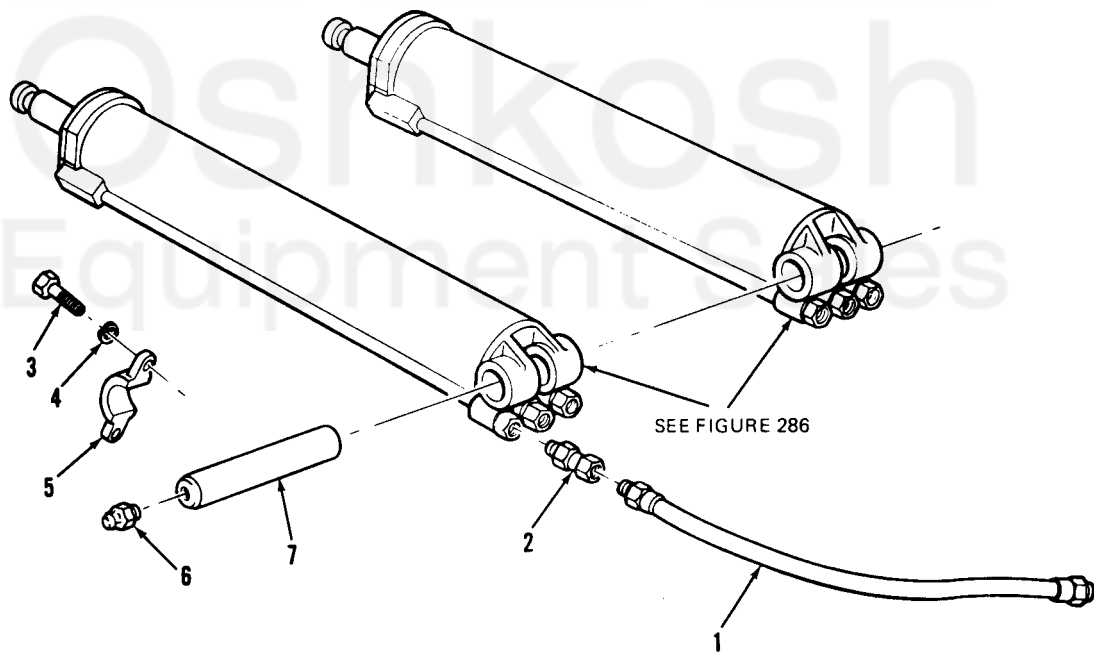


Figure 285. Hydraulic hoist cylinder.

TA 031381

Current part is item (5) on diagram. Available at [www.oshkoshequipment.com](http://www.oshkoshequipment.com)