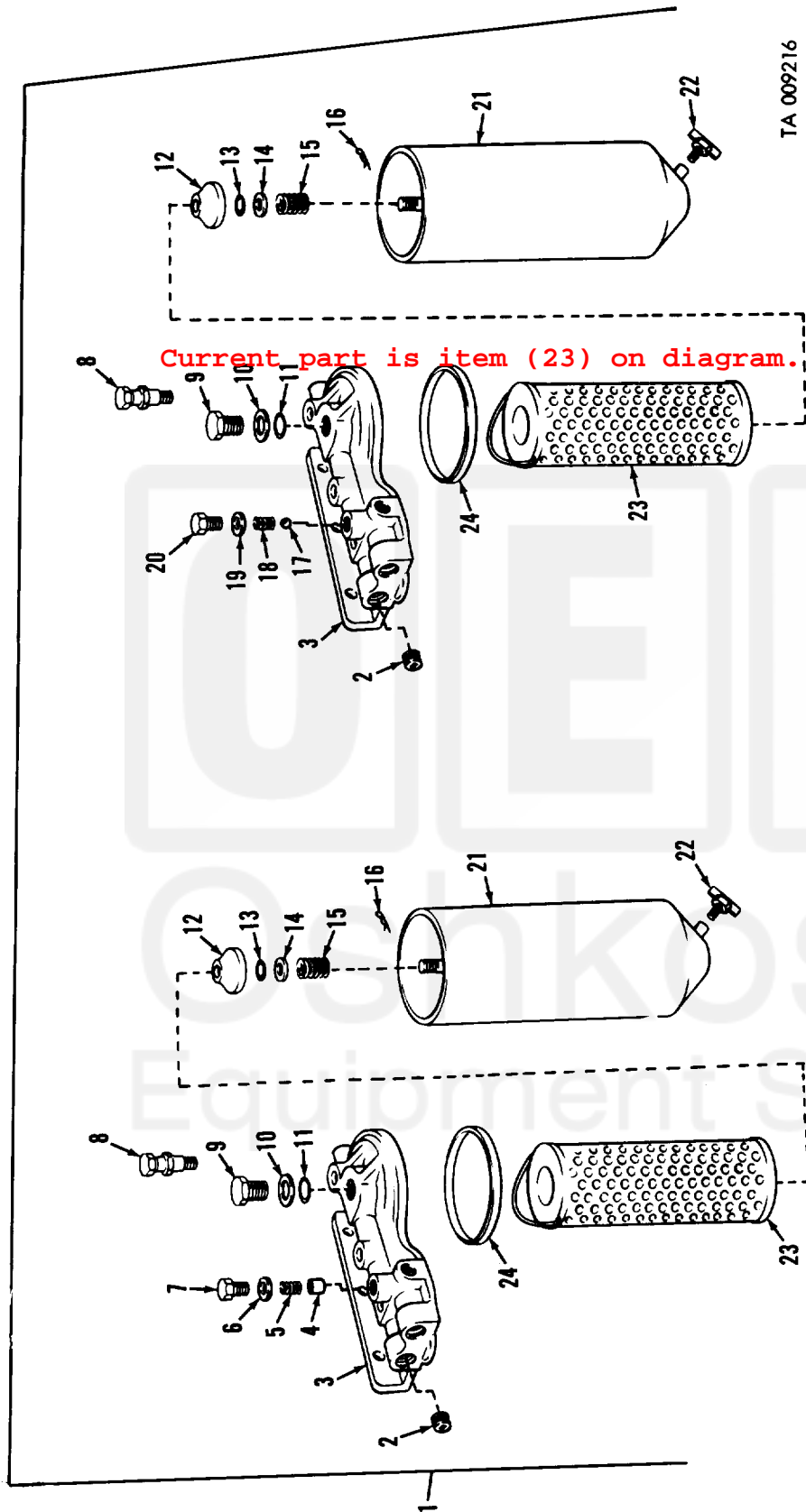


(1) SMR Code	(2) Federal Stock Number	(3) Description	(4) Unit of Meas.	(5) Qty	(6) 15-day Maintenance In Unit	(7) Organizational alw Illustration	(a) Figure No.	(b) Item No.
Reference number & mfg. code			Usable on code		(a) (b) (c) (d)	(a) (b)	(a) (b)	
					1-5 6-20 21-50 51-100	Figure	Item	
0309-FUEL FILTERS-CONTINUED								
PAOZZ	5315-829-1326	PIN,COTTER: 3/64 DIA., 3/4 IN. LG FILTER ELEMENT CUP MS24665-71 (96906)	EA	2	* * * *	30	16	
PAOZZ	3110-887-5524	BALL, BEARING: PRESSURE RELIEF VAVLE MS19061-15 (96906)	EA	1	* * * *	30	17	
XAOZZ		SPRING, HELICAL, COMPRESSION: PRESSURE RELIEF VALVE 11602308 (19207)		1		30	18	
PAOZZ	2520-362-9443	GASKET: PRESSURE RELIEF VALVE PLUG 7005621 (19207)	EA	1	* * * *	30	19	
PAOZZ	5365-407-5119	PLUG, MACHINE THREAD: PRESSURE RELIEF VALVE 11602309 (19207)	EA	1	* * * *	30	20	
XAOZZ		BODY, FILTER: FUEL 11609953 (19207)		2		30	21	
PAOZZ	4820-384-0253	COCK: FUEL FILTER DRAIN A6850 (79470)	EA	2	* * * *	30	22	
KFOZZ		ELEMENT: FLUID PRESSURE FILTER 11610298 (19207)	EA	2	(SEE KIT 2910-134-7835)	30	23	
KFOZZ		GASKET: FLUID PRESSURE FILTER 10935482 (19207)	EA	2	(SEE KIT 2910-134-7835)	30	24	
PAOZZ	5330-805-8849	GASKET: COVER SCREW 6432-37172 (76040)	AC	EA	1 * * *	31	1	
PAOZZ	5305-935-7582	SCREW, CAP, HEXAGON HEAD: TOP COVER RETAINING 6432-60483 (76040)	AC	EA	1 * * *	31	2	
XBOZZ		COVER: FILTER CASE 6432-58850 (76040)	AC	EA	1	31	3	
KFOZZ		GASKET: SECONDARY MFILTER ELEMENT 20509-5 (81321)	AC	EA	1 (SEE KIT 2940-067-7625)	31	4	
KFOZZ		ELEMENT FILTER: 33435 (81321)	AC	EA	(SEE KIT 2940-067-7625)	31	5	
XBOZZ		CASE: FILTER ELEMENT 6432-59556 (76040)	AC	EA	1	31	6	
PAOZZ		NUT: 1/4-28NF BRACKET CLAMP 20AX1 (76040)	AC	EA	2 * * *	31	7	
PAOZZ	5310-582-5965	WASHER, LOCK: 1/4 NOM. SIZE BRACKET CLAMP MS35338-44 (96906)	AC	EA	2 * * *	31	8	
XBOZZ		BRACKET: MOUNTING 136GB228A (76040)	AC	EA	1	31	9	



TA 009216

Current part is item (23) on diagram. Available at [www.oshkoshequip.com](http://www.oshkoshequip.com)

Figure 30. Fuel filters and related parts.

Current part is item (23) on diagram. Available at [www.oshkoshequip.com](http://www.oshkoshequip.com)