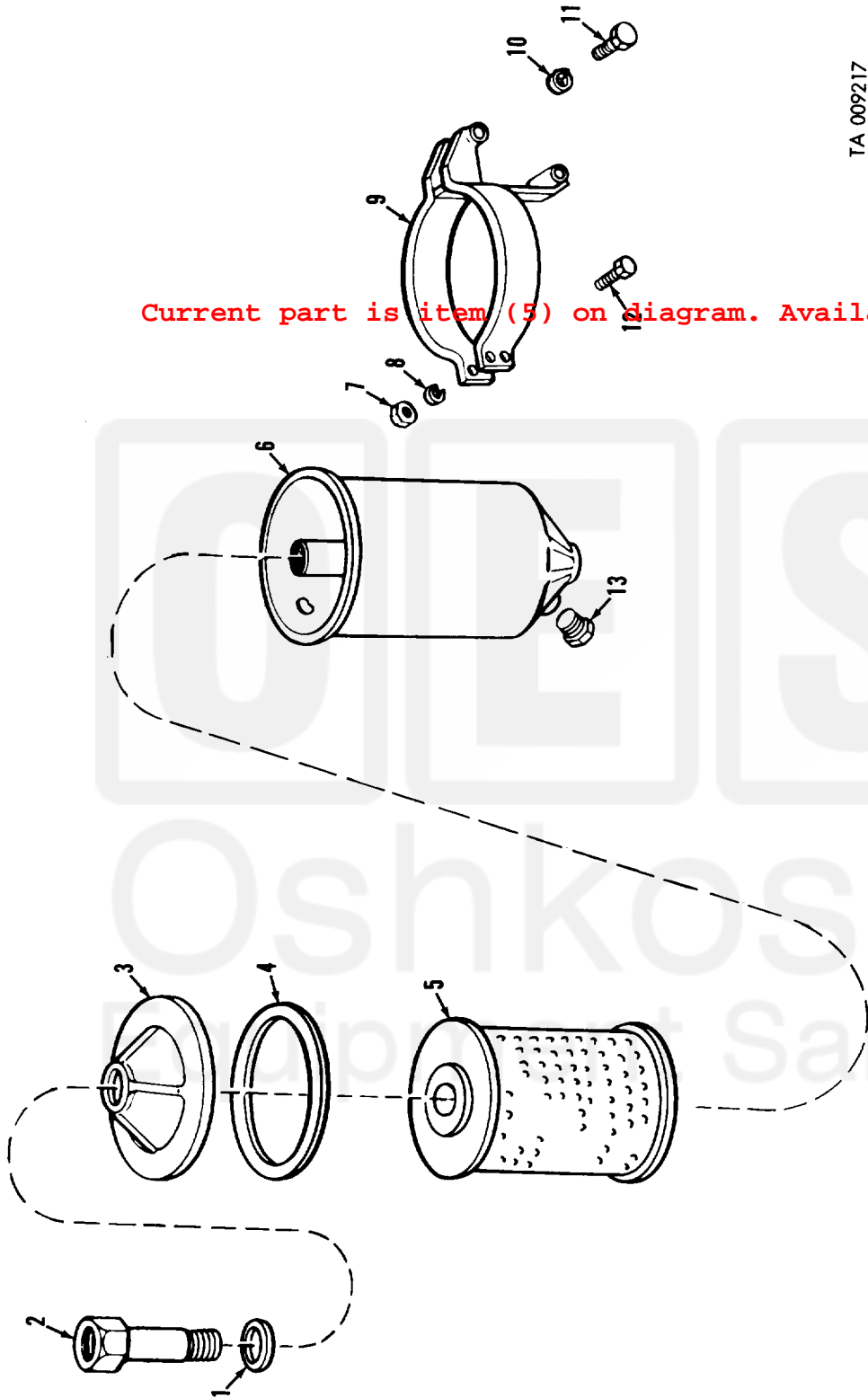


(1) SMR Code	(2) Federal Stock Number	(3) Description	(4) Unit of Meas.	(5) Qty	(6) 15-day organizational allowance	(7) Illustration No.			
		Reference number & mfg. code	Usable on code	(a) 1-5	(b) 6-20	(c) 21-50	(d) 51-100	(a) Figure No.	(b) Item No.
0309-FUEL FILTERS-CONTINUED									
PAOZZ	5315-829-1326	PIN,COTTER: 3/64 DIA., 3/4 IN. LG FILTER ELEMENT CUP MS24665-71 (96906)	EA	2	*	*	*	30	16
PAOZZ	3110-887-5524	BALL,BEARING:PRESSURE RELIEF VAVLE MS19061-15 (96906)	EA	1	*	*	*	30	17
XAOZZ		SPRING,HELICAL,COMPRESSION: PRESSURE RELIEF VALVE 11602308 (19207)		1				30	18
PAOZZ	2520-362-9443	GASKET:PRESSURE RELIEF VALVE PLUG 7005621 (19207)	EA	1	*	*	*	30	19
PAOZZ	5365-407-5119	PLUG,MACHINE THREAD: PRESSURE RELIEF VALVE 11602309 (19207)	EA	1	*	*	*	30	20
XAOZZ		BODY,FILTER:FUEL 11609953 (19207)		2				30	21
PAOZZ	4820-384-0253	COCK:FUEL FILTER DRAIN A6850 (79470)	EA	2	*	*	*	30	22
KFOZZ		ELEMENT:FLUID PRESSURE FILTER 11610298 (19207)	EA	2	(SEE KIT 2910-134-7835)			30	23
KFOZZ		GASKET:FLUID PRESSURE FILTER 10935482 (19207)	EA	2	(SEE KIT 2910-134-7835)			30	24
PAOZZ	5330-805-8849	GASKET:COVER SCREW 6432-37172 (76040)	AC	EA	1	*	*	31	1
PAOZZ	5305-935-7582	SCREW,CAP,HEXAGON HEAD:TOP COVER RETAINING 6432-60483 (76040)	AC	EA	1	*	*	31	2
XBOZZ		COVER:FILTER CASE 6432-58850 (76040)	AC	EA	1			31	3
KFOZZ		GASKET:SECONDARY MFILTER ELEMENT 20509-5 (81321)	AC	EA	1	(SEE KIT 2940-067-7625)		31	4
KFOZZ		ELEMENT FILTER: 33435 (81321)	AC	EA		(SEE KIT 2940-067-7625)		31	5
XBOZZ		CASE:FILTER ELEMENT 6432-59556 (76040)	AC	EA	1			31	6
PAOZZ		NUT:1/4-28NF BRACKET CLAMP 20AX1 (76040)	AC	EA	2	*	*	31	7
PAOZZ	5310-582-5965	WASHER,LOCK:1/4 NOM. SIZE BRACKET CLAMP MS35338-44 (96906)	AC	EA	2	*	*	31	8
XBOZZ		BRACKET: MOUNTING 136GB228A (76040)	AC	EA	1			31	9

TA 009217



Current part is item (5) on diagram. Available at [www.oshkoshequip.com](http://www.oshkoshequip.com)

Figure 31. Secondary fuel oil filter—diesel.

Current part is item (5) on diagram. Available at [www.oshkoshequip.com](http://www.oshkoshequip.com)