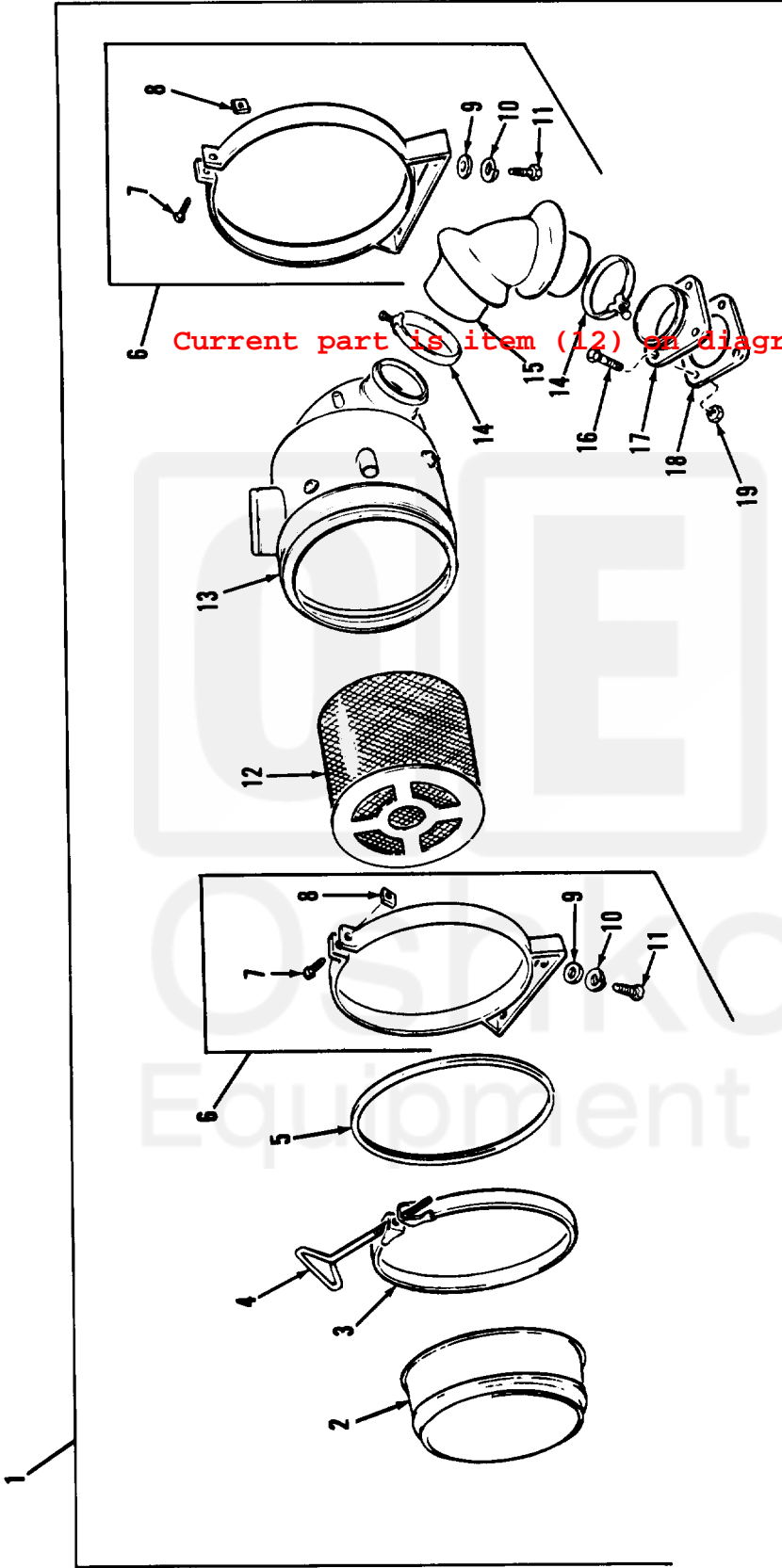


(1) SMR Code	(2) Federal Stock Number	(3) Description	(4) Unit Meas.	(5) Qty	(6) 15-day Maintenance In	(7) Organizational alw Illustration	(a) Figure No.	(b) Item No.
Reference number & mfg. code								
Usable on code								
0304-AIR CLEANER-CONTINUED								
PAOZZ	2940-740-9306	GASKET:OIL CUP 7409360 (19207)	EA	1	*	*	*	24 5
PAOZZ	2940-740-9144	BAND ASSEMBLY MOUNTING:AIR CLEANER BODY 7409144 (19207) CONSISTING OF:	EA	2	*	*	*	24 6
PAOZZ	5305-984-6680	SCREW,CAP,HEXAGON HEAD: MOUNTING BAND MS35206-300 (96906)	EA	1	*	*	*	24 7
PAOZZ	5310-012-0399	NUT,PLAIN,SQUARE;MOUNTING BAND 120399 (12204)	EA	1	*	*	*	24 8
PAOZZ	5310-080-6004	WASHER,FLAT:.406 ID, MOUNTING BAND MS27183-14 (96906)	EA	1	*	*	*	24 9
PAOZZ	5310-637-9541	WASHER,LOCK: 3/8 NOM. SIZE,AIR CLEANER MOUNTING BAND MS35338-46 (96906)	EA	1	*	*	*	24 10
PAOZZ	5305-269-2802	SCREW,CAP,HEXAGON HEAD: 3/8-24UNF-2A X 7/8 IN., MOUNTING BAND MS90726-59 (96906)	EA	1	*	*	*	24 11
PAOZZ	2940-134-4657	ELEMENT ASSEMBLY,AIR CLEANER FILTER 11604545 (19207)	EA	1	*	*	*	24 12
XAOZZ		BODY:AIR CLEANER DN-P10672 (84243)		1				24 13
PAOZZ	4730-908-6293	CLAMP,HOSE:CARBURETOR AIR INTAKE HOSE MS35842-15 (96906)	EA	2	*	*	*	24 14
PAOZZ	2940-740-9300	HOSE,PREFORMED: AIR CLEANER TO CARBURETOR 740930 (19207)	EA	1	*	*	*	24 15
PAOZZ	5305-600-8993	SCREW,SHOULDER: 181608 (10001)	EA	4	*	*	*	24 16
PAOZZ	2910-740-9309	INLET,AIR HOSE:TO CARBURETOR 7409309 (19207)	EA	1	*	*	*	24 17
PAOZZ	2910-740-9307	GASKET:CARBURETOR TO AIR HOSE INLET 7409307 (19207)	EA	1	*	*	*	24 18
PAOZZ	5310-088-0553	NUT,SELF-LOCKING HEXAGON: AIR HOSE INLET MS21044-N5 (96906)	EA	4	*	*	*	24 19

AT 47148



Current part is item (12) on diagram. Available at [www.oshkoshequip.com](http://www.oshkoshequip.com)

Figure 21. Air cleaner assembly—gasoline.

Current part is item (12) on diagram. Available at [www.oshkoshequip.com](http://www.oshkoshequip.com)